



Chipsmall Limited consists of a professional team with an average of over 10 year of expertise in the distribution of electronic components. Based in Hongkong, we have already established firm and mutual-benefit business relationships with customers from,Europe,America and south Asia,supplying obsolete and hard-to-find components to meet their specific needs.

With the principle of “Quality Parts,Customers Priority,Honest Operation,and Considerate Service”,our business mainly focus on the distribution of electronic components. Line cards we deal with include Microchip,ALPS,ROHM,Xilinx,Pulse,ON,Everlight and Freescale. Main products comprise IC,Modules,Potentiometer,IC Socket,Relay,Connector.Our parts cover such applications as commercial,industrial, and automotives areas.

We are looking forward to setting up business relationship with you and hope to provide you with the best service and solution. Let us make a better world for our industry!



Contact us

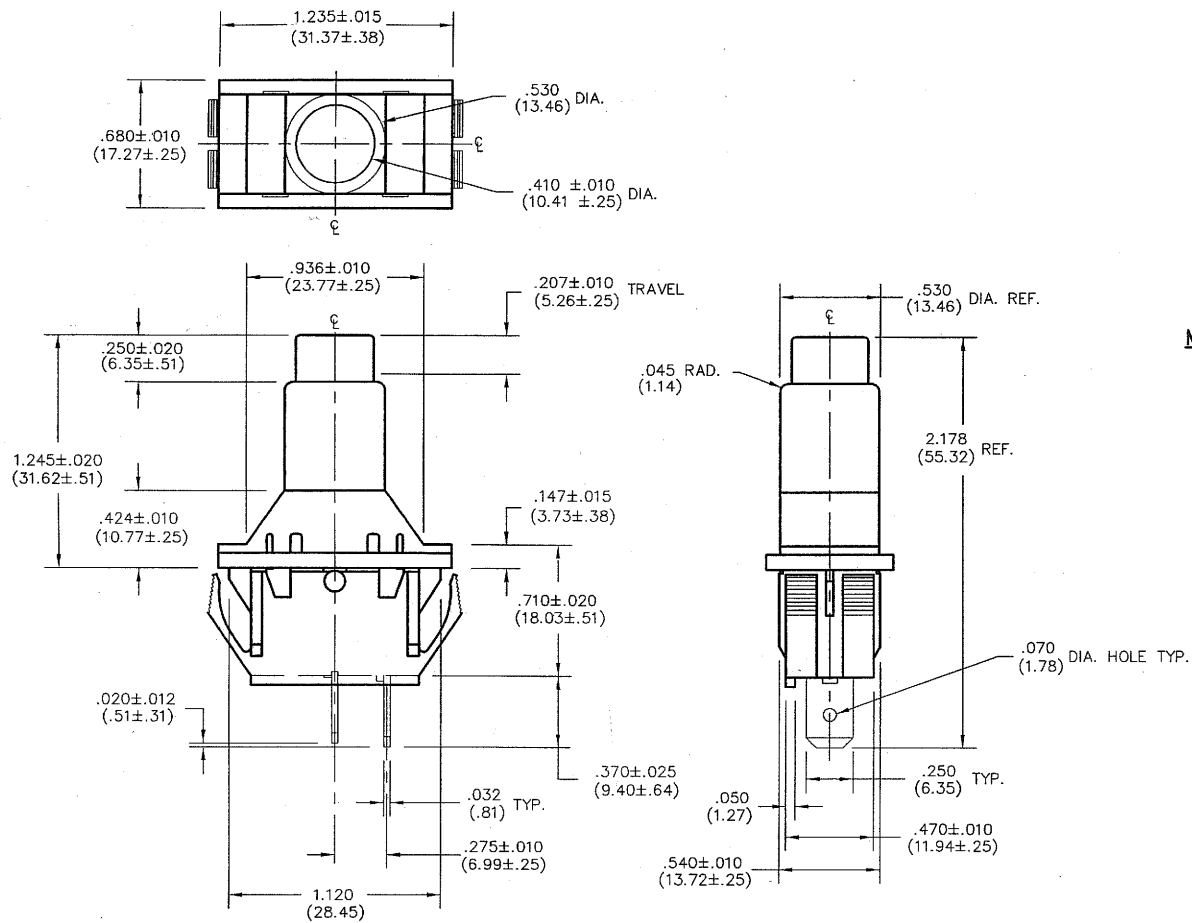
Tel: +86-755-8981 8866 Fax: +86-755-8427 6832

Email & Skype: info@chipsmall.com Web: www.chipsmall.com

Address: A1208, Overseas Decoration Building, #122 Zhenhua RD., Futian, Shenzhen, China



E
D
C
B
A



MATERIALS:

HOUSING AND ROCKER: NYLON 6/6 85°C MATERIAL
TERMINAL AND MOVING CONTACT: COPPER ALLOY

RATINGS:

16A. 125V.A.C. 12A. 250V.A.C.
3/4 H.P. 125-250V.A.C.
12 (6)A. 250 ~ VDE

OPERATING TEMPERATURE/HUMIDITY: -30C - 85C/100 Hour Soak @
95% RH and 50C and 1 Hour dry in ambient = > 10 M ohms

ELECTRICAL CYCLES: UL Rated 6K Cycles, VDE 10K Cycles

MECHANICAL CYCLES: 100K Cycles

FLAMMABILITY RATING: UL 94V - 2

REGULATORY APPROVALS: UL 1054/VDE EN61058/CSA C22.2 No. 55

	1	2	3	4	5	6	7	8	9	10
B-FORMAT 2002 REVISIONS O RELEASED: DGW 10-26-2009 OCT 26 2009	CW INDUSTRIES Southampton, Pa. 18966 TOLERANCES UNLESS OTHERWISE SPECIFIED 2 Place Decimal ±.010 METRIC 3 Place Decimal ±.005 1 Place Dec. ±.25mm Angles ±1' 2 Place Dec. ±.13mm							Title: SWITCH ASSEMBLY PUSH ON/OFF S.P.- S.T.		
	Made for: CW IND.							Division: SWITCH		
	Drawn by: DGW 10-26-2009							Dwg. No. GRSN-2011-2002		
	Checked by: G. Guld 10-26-09 Approval: G. Guld 10-26-09									

MASTER