



Chipsmall Limited consists of a professional team with an average of over 10 year of expertise in the distribution of electronic components. Based in Hongkong, we have already established firm and mutual-benefit business relationships with customers from,Europe,America and south Asia,supplying obsolete and hard-to-find components to meet their specific needs.

With the principle of “Quality Parts,Customers Priority,Honest Operation,and Considerate Service”,our business mainly focus on the distribution of electronic components. Line cards we deal with include Microchip,ALPS,ROHM,Xilinx,Pulse,ON,Everlight and Freescale. Main products comprise IC,Modules,Potentiometer,IC Socket,Relay,Connector.Our parts cover such applications as commercial,industrial, and automotives areas.

We are looking forward to setting up business relationship with you and hope to provide you with the best service and solution. Let us make a better world for our industry!



## Contact us

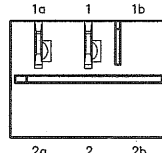
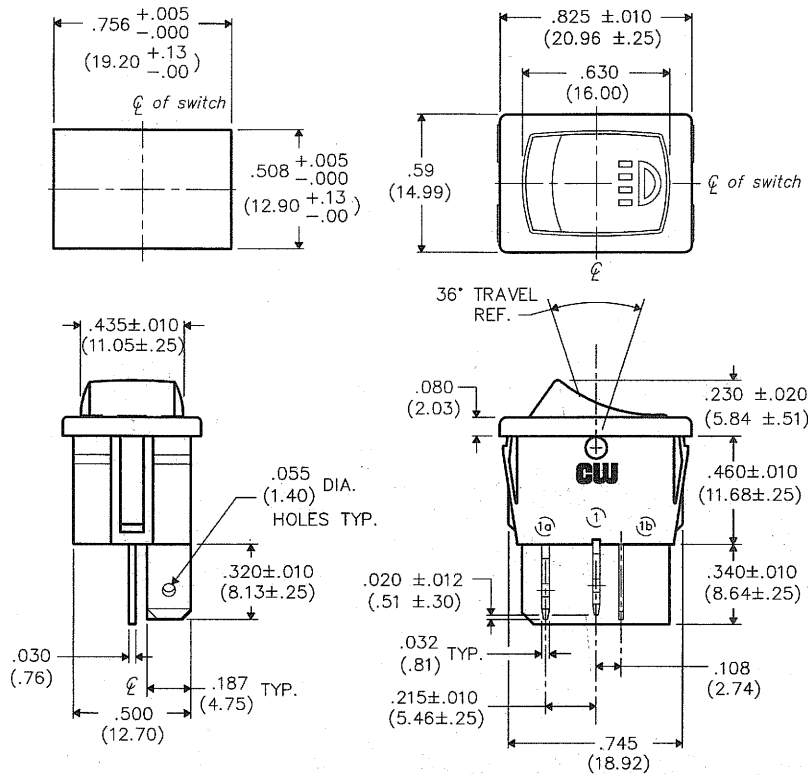
Tel: +86-755-8981 8866 Fax: +86-755-8427 6832

Email & Skype: info@chipsmall.com Web: www.chipsmall.com

Address: A1208, Overseas Decoration Building, #122 Zhenhua RD., Futian, Shenzhen, China



**PANEL PIERCING**



**BOTTOM VIEW  
(RELOCATED)**

PART NUMBER	HOUSING COLOR	BUTTON COLOR	CIRCUIT	RATING	UL & CSA
CW # - GRSV-4011-0134	BLACK BK-000	BLACK BK-000	SPST	8A 125V AC	APPROVED
ELECTROLUX # - 316448700B	EWC 7802	EWC 7802		4A 250V AC 3A 277V AC	
CW # - GRSV-4011-0135	WHITE WT-901	WHITE WT-901	SPST	8A 125V AC	APPROVED
ELECTROLUX # - 316448701B	EWC 7804	EWC 7804		4A 250V AC 3A 277V AC	
CW # - GRSV-4011-0136	BISQUE BN-129	BISQUE BN-129	SPST	8A 125V AC	APPROVED
ELECTROLUX # - 316448702B	EWC 7004	EWC 7004		4A 250V AC 3A 277V AC	

1	2	3	4	5	6	7	8	9	10	
B-FORMAT 2002  <b>REVISIONS</b>  0 RELEASED: 8-22-2011 DGW AUG 22 2011 1 ADDED ELECTROLUX P/N'S TO CHART. DGW 8-29-2011 G.G. AUG 29 2011							<b>CW INDUSTRIES</b> Southampton, Pa. 18966 TOLERANCES UNLESS OTHERWISE SPECIFIED 2 Place Decimal ±.010 METRIC 3 Place Decimal ±.005 1 Place Dec. ±.25mm Angles ..... ±1' 2 Place Dec. ±.13mm	Title: <b>LIGHT BULB SWITCH ASSEMBLY (POP IN) S.P.- S.T.</b>  Division: <b>SWITCH</b>  Dwg. No. <b>GRSV-4011-0134 THRU -0136</b>		
							Made for: CW IND. Drawn by: DGW 8-22-2011 Checked by: G. Guld 8-22-11 Approval: G. Guld 8-22-11			

