



Chipsmall Limited consists of a professional team with an average of over 10 year of expertise in the distribution of electronic components. Based in Hongkong, we have already established firm and mutual-benefit business relationships with customers from,Europe,America and south Asia,supplying obsolete and hard-to-find components to meet their specific needs.

With the principle of “Quality Parts,Customers Priority,Honest Operation,and Considerate Service”,our business mainly focus on the distribution of electronic components. Line cards we deal with include Microchip,ALPS,ROHM,Xilinx,Pulse,ON,Everlight and Freescale. Main products comprise IC,Modules,Potentiometer,IC Socket,Relay,Connector.Our parts cover such applications as commercial,industrial, and automotives areas.

We are looking forward to setting up business relationship with you and hope to provide you with the best service and solution. Let us make a better world for our industry!



Contact us

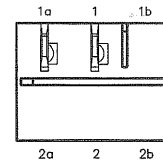
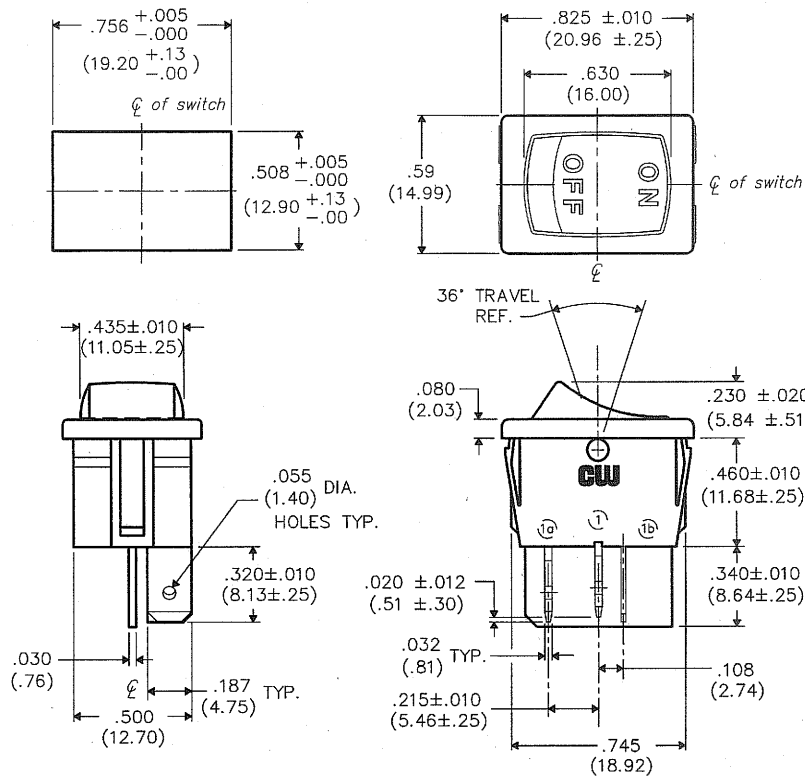
Tel: +86-755-8981 8866 Fax: +86-755-8427 6832

Email & Skype: info@chipsmall.com Web: www.chipsmall.com

Address: A1208, Overseas Decoration Building, #122 Zhenhua RD., Futian, Shenzhen, China



PANEL PIERCING



**BOTTOM VIEW
(RELOCATED)**

MATERIAL:

- ROCKER KNOB- Nylon 6/6, Color- Red
- HOUSING- Nylon 6/6, Color- Black
- MOVING CONTACT & TERMINALS- Copper Alloy/Micro-Finish

RATING: UL/CSA

- 8A. 125VAC 4A. 250VAC
- 3A. 277VAC

THIS INFORMATION IS CONFIDENTIAL AND PROPRIETARY TO CW INDUSTRIES INCORPORATED AND ITS AFFILIATES. IT MAY NOT BE DISCLOSED TO ANYONE OTHER THAN CW INDUSTRIES PERSONNEL, WITHOUT WRITTEN AUTHORIZATION FROM CW INDUSTRIES INCORPORATED, SOUTHAMPTON, PENNSYLVANIA USA.

1	2	3	4	5	6	7	8	9	10
---	---	---	---	---	---	---	---	---	----

B-FORMAT 2002

REVISIONS

O	RELEASED.	2-24-2012	DCW	FEB 23 2012
---	-----------	-----------	-----	-------------

<p>PDF Made</p>	<p>cw INDUSTRIES Southampton, Pa. 18966</p> <p>TOLERANCES UNLESS OTHERWISE SPECIFIED</p> <table style="width: 100%; font-size: small;"> <tr> <td>2 Place Decimal ±.010</td> <td style="text-align: center;">METRIC</td> </tr> <tr> <td>3 Place Decimal ±.005</td> <td>1 Place Dec. ±.25mm</td> </tr> <tr> <td>Angles ±1°</td> <td>2 Place Dec. ±.13mm</td> </tr> </table>	2 Place Decimal ±.010	METRIC	3 Place Decimal ±.005	1 Place Dec. ±.25mm	Angles ±1°	2 Place Dec. ±.13mm	<p>Title: ON - OFF SWITCH ASSEMBLY (POP IN) S.P.- S.T.</p>
	2 Place Decimal ±.010	METRIC						
	3 Place Decimal ±.005	1 Place Dec. ±.25mm						
Angles ±1°	2 Place Dec. ±.13mm							
<p>Made for: CW IND.</p> <p>Drawn by: DCW 2-24-2012</p> <p>Checked by: G. Guld 2-24-12</p> <p>Approval: G. Guld 2-24-12</p>	<p>Division: SWITCH</p> <p>Dwg. No. GRSV-4011-0137</p>							

MASTER