



Chipsmall Limited consists of a professional team with an average of over 10 year of expertise in the distribution of electronic components. Based in Hongkong, we have already established firm and mutual-benefit business relationships with customers from,Europe,America and south Asia,supplying obsolete and hard-to-find components to meet their specific needs.

With the principle of “Quality Parts,Customers Priority,Honest Operation,and Considerate Service”,our business mainly focus on the distribution of electronic components. Line cards we deal with include Microchip,ALPS,ROHM,Xilinx,Pulse,ON,Everlight and Freescale. Main products comprise IC,Modules,Potentiometer,IC Socket,Relay,Connector.Our parts cover such applications as commercial,industrial, and automotives areas.

We are looking forward to setting up business relationship with you and hope to provide you with the best service and solution. Let us make a better world for our industry!



## Contact us

Tel: +86-755-8981 8866 Fax: +86-755-8427 6832

Email & Skype: info@chipsmall.com Web: www.chipsmall.com

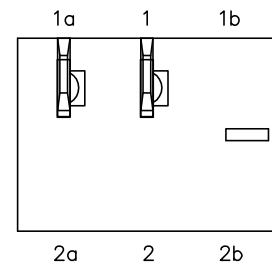
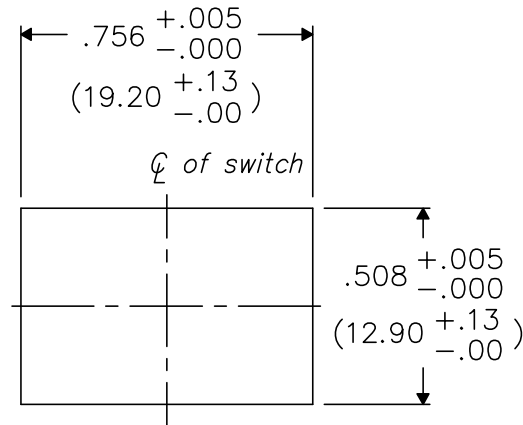
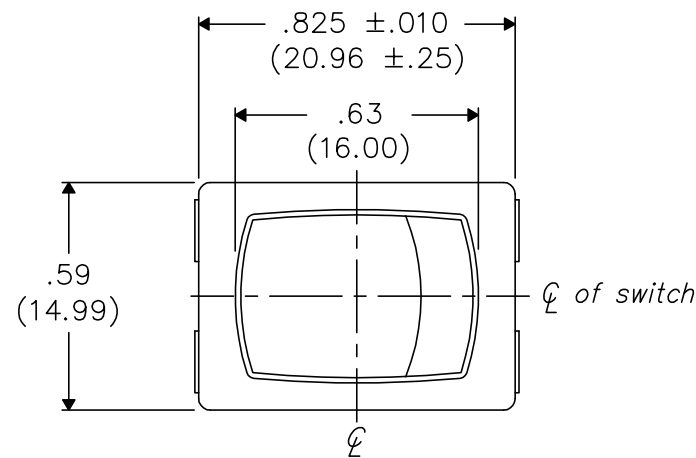
Address: A1208, Overseas Decoration Building, #122 Zhenhua RD., Futian, Shenzhen, China



DIMENSIONS IN INCHES (MILLIMETERS)  
DO NOT SCALE DRAWING .....

Dwg. No.  
GRSV-4011B-0027 THRU -0029

PANEL PIERCING



BOTTOM VIEW  
(RELOCATED)

MATERIAL:

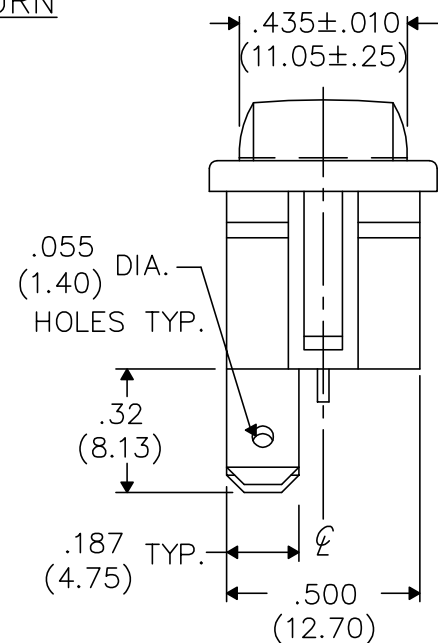
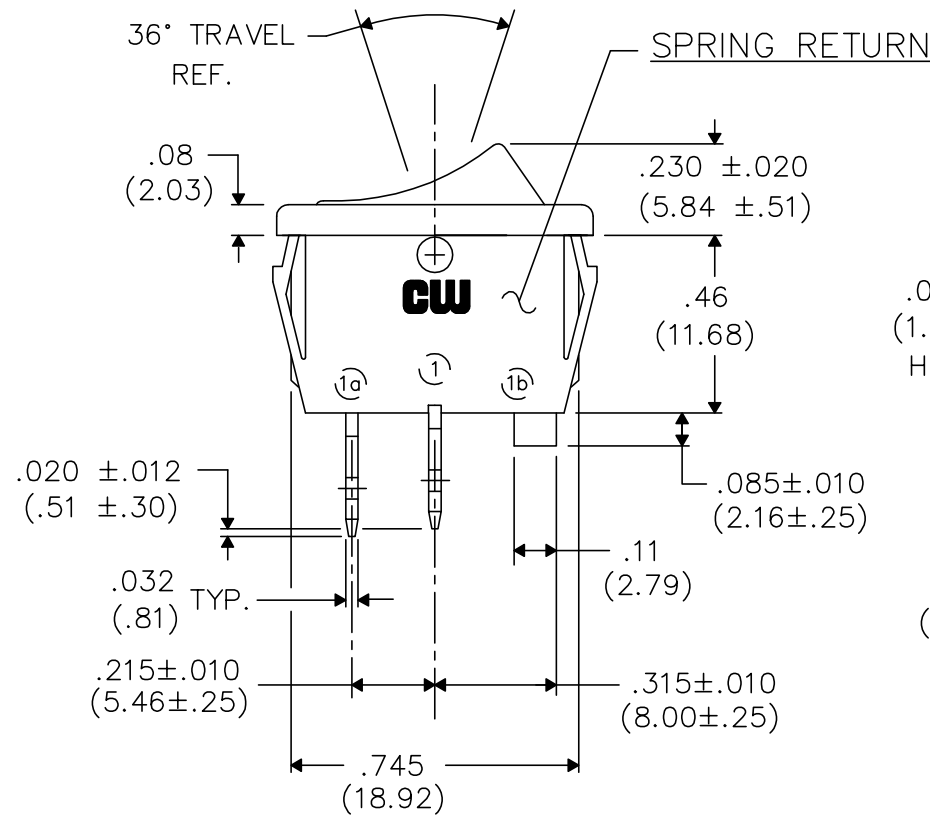
- ⊗ ROCKER KNOB- Polyester or Hi-Temp Nylon- Color Per Chart
- ⊗ HOUSING- Polyester or Hi-Temp Nylon- Color Per Chart
- MOVING CONTACT- Copper alloy, Clear Chromate Finish
- SPRING- music wire
- PLUNGER- plated steel
- TERMINAL- Copper Alloy, Clear Chromate Plated

PERFORMANCE STANDARDS-

- Endurance- 30,000 cycles, no load, minimum  
10,000 cycles at rated load.
- Contact Resistance- less than .01 Ohm at 10 mA (initial)
- Operating Temperature- 105° C maximum
- High Voltage Dielectric Withstanding Voltage- 2,500 V,  
60 Hz for 1 minute between mounting  
surface and circuit connections
- HUMIDITY- Insulation resistance > 10<sup>3</sup> MOhms after 100 hours  
at 95% R.H. and 50° C followed by 1 hour dry  
at ambient room conditions
- MOUNTING- Self locks without hardware when popped into  
a .756"(19.20mm) x .508"(12.90mm) panel cutout.  
Standard Panel thickness is .075"+.000" (1.91+0.00mm)  
-.003" -0.08

CAUTION: Burr direction must be away from the direction  
of insertion.

UL FILE NUMBER: E9556



ELECTROLUX #	CW #	COLOR CODE	COLOR	CIRCUIT	RATING	UL & CSA
316259800	GRSV-4011B-0027	EWC 7802 (CW Color # BK-000)	BLACK	SPST	13A 125V AC 10A 250V AC 1/2 H.P. 125-250V AC 5A 14V(T)	APPROVED
316259801	GRSV-4011B-0028	EWC 7804 (CW Color # WT-901)	WHITE	SPST		
316259802	GRSV-4011B-0029	EWC 7004 (CW Color # BN-129)	BISQUE	SPST		

REVISIONS	1	2
RELEASED. DGW 6-09-2004 6-09-2004	REDRAWN. DWG. NO. CHANGED FROM GRSV-4011B-0027 THRU -0029 TO GRSV-4011B-0027 THRU -0029. UPDATED ALL DIMENSIONS, NOTES & NUMBERS IN CHART. DGW 9-09-2004 CH 9/17/04	ADDED OR HI-TEMP NYLON TO KNOB & HOUSING POLYESTER MATERIAL. BK-000 WAS BK-001 IN COLOR CODE IN CW# -0027. DGW 1-27-2005 GG FEB. 15, 2005

**CW INDUSTRIES**  
Southampton, Pa. 18966

TOLERANCES UNLESS OTHERWISE SPECIFIED

2 Place Decimal ±.010	METRIC
3 Place Decimal ±.005	1 Place Dec. ±.25mm
Angles ..... ±1°	2 Place Dec. ±.13mm

Made for: CW IND.  
Division: SWITCH

Drawn by: DGW 6-09-2004  
Checked by: AH 9/17/04  
Approval: CH 9/17/04

Dwg. No.  
GRSV-4011B-0027 THRU -0029