



Chipsmall Limited consists of a professional team with an average of over 10 year of expertise in the distribution of electronic components. Based in Hongkong, we have already established firm and mutual-benefit business relationships with customers from,Europe,America and south Asia,supplying obsolete and hard-to-find components to meet their specific needs.

With the principle of “Quality Parts,Customers Priority,Honest Operation,and Considerate Service”,our business mainly focus on the distribution of electronic components. Line cards we deal with include Microchip,ALPS,ROHM,Xilinx,Pulse,ON,Everlight and Freescale. Main products comprise IC,Modules,Potentiometer,IC Socket,Relay,Connector.Our parts cover such applications as commercial,industrial, and automotives areas.

We are looking forward to setting up business relationship with you and hope to provide you with the best service and solution. Let us make a better world for our industry!



Contact us

Tel: +86-755-8981 8866 Fax: +86-755-8427 6832

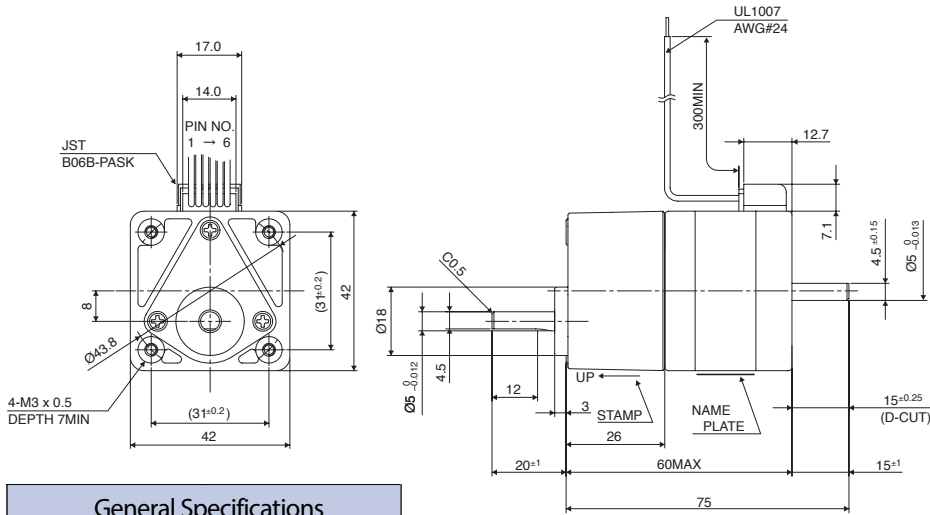
Email & Skype: info@chipsmall.com Web: www.chipsmall.com

Address: A1208, Overseas Decoration Building, #122 Zhenhua RD., Futian, Shenzhen, China



Outline

Gearbox



Hybrid

General Specifications

Temperature Rise: 80°C MAX
 Ambient Temperature Range: -10 °C ~ +50°C
 Insulation Resistance: 100MΩ MIN. DC500V
 Dielectric Strength: AC500V 1min
 Permissible Radial Load(at 10mm from shaft end): 20N (2kgf)
 Permissible Thrust Load: 15N (1.5kgf)

PIN NO. vs. PHASE

PHASE	A	A COM	\bar{A}	B	B COM	\bar{B}
PIN NO.	3	2	1	4	5	6

Specifications

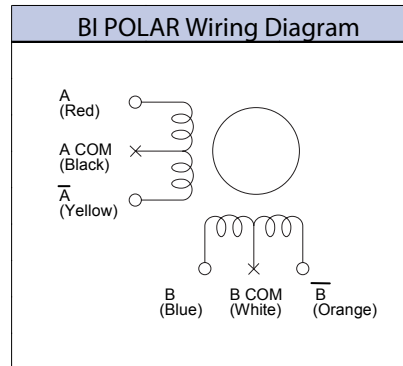
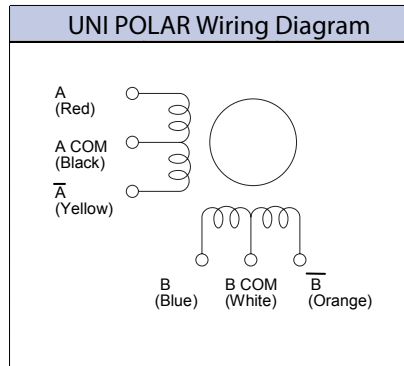
Model	Rated Current (A)	Resistance (Ohms)	Step Angle (deg)	Gear Ratio (1 : X)	Permissible Torque (Nm (kgf · cm))	Permissible Speed Range (r/min)	Backlash (min(deg))	Mass (g)
GS0036-17M001	0.85	4.2	0.5	1 : 3.6	0.2 (2.04)	0 ~ 500	2° & under	310
GS0072-17M001	0.85	4.2	0.25	1 : 7.2	0.4 (4.08)	0 ~ 250	2° & under	310
GS0090-17M001	0.85	4.2	0.2	1 : 9	0.5 (5.10)	0 ~ 200	2° & under	310
GS0100-17M001	0.85	4.2	0.18	1 : 10	0.56 (5.71)	0 ~ 180	2° & under	310
GS0180-17M001	0.85	4.2	0.1	1 : 18	0.8 (8.06)	0 ~ 100	2° & under	320
GS0360-17M001	0.85	4.2	0.05	1 : 36	0.8 (8.06)	0 ~ 50	2° & under	320
GS0500-17M001	0.85	4.2	0.036	1 : 50	0.8 (8.06)	0 ~ 36	2° & under	330
GS1000-17M001	0.85	4.2	0.018	1 : 100	0.8 (8.06)	0 ~ 18	2° & under	330

*Drive Sequence: Unipolar

*Leadwires will be supplied with the motor

*Direction of rotation of the motor and that of the gear output shaft are the same for the gear ratios 1:3.6, 1:7.2, 1:9, 1:10, 1:50, 1:100. It is the opposite for 1:18 and 1:36 gear ratio

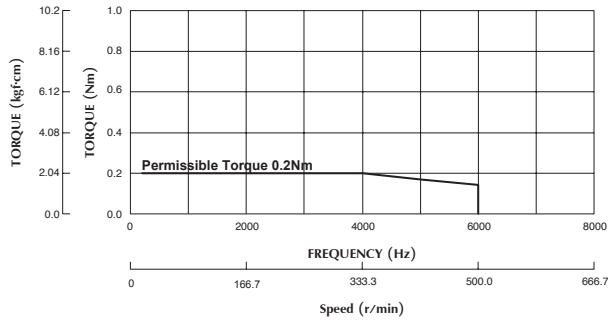
Specifications



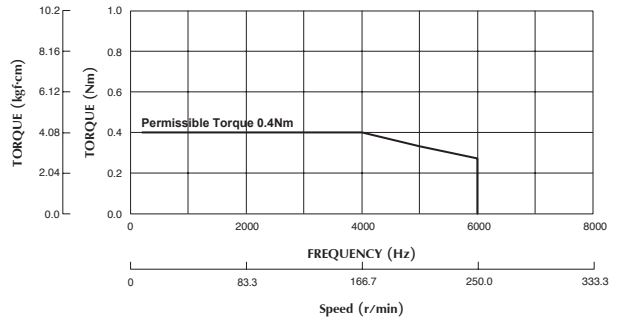
*Do not connect A COM and B COM. Please insulate individually.
*Apply 70% of Unipolar rated current.

Torque/Speed Characteristics

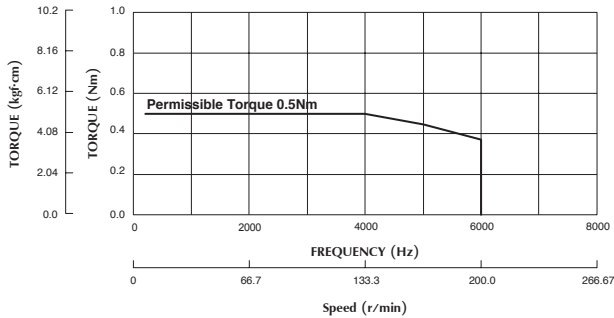
Model No.: GS0036-17M001
Supply Voltage: 24 V (DC)
Current: 0.85A/Phase Step
Angle: 0.5°/step



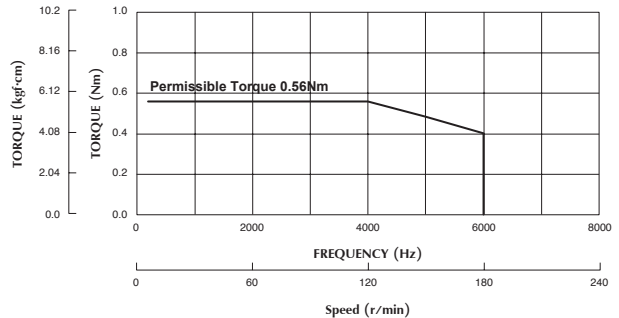
Model No.: GS0072-17M001
Supply Voltage: 24 V (DC)
Current: 0.85A/Phase Step
Angle: 0.25°/step



Model No.: GS0090-17M001
Supply Voltage: 24 V (DC)
Current: 0.85A/Phase Step
Angle: 0.2°/step

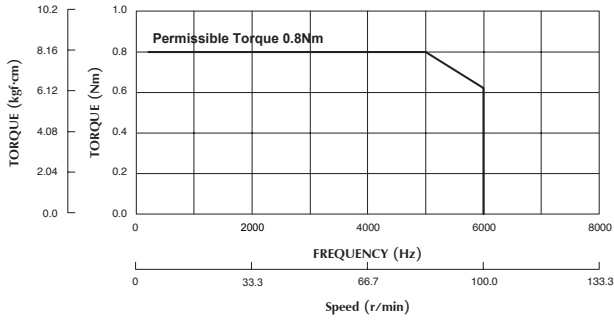


Model No.: GS010-17M001
Supply Voltage: 24 V (DC)
Current: 0.85A/Phase Step
Angle: 0.18°/step

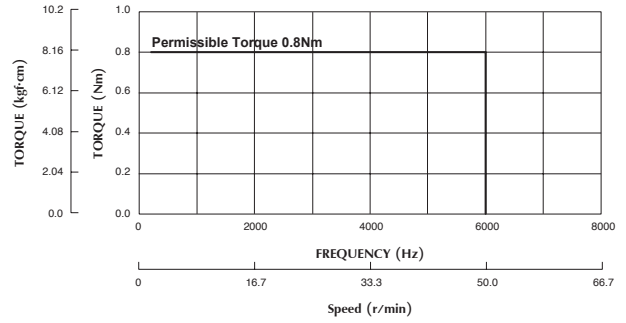


Torque/Speed Characteristics

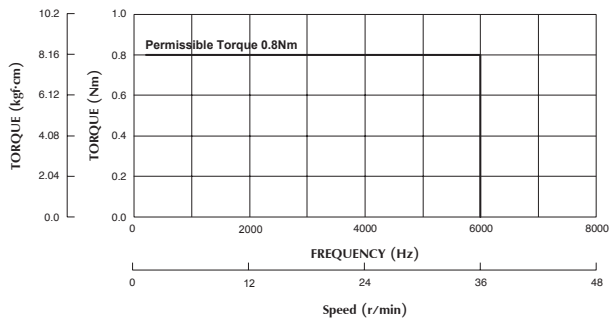
Model No.: GS0180-17M001
 Supply Voltage: 24 V (DC)
 Current: 0.85A/Phase
 Step Angle: 0.1°/step



Model No.: GS0360-17M001
 Supply Voltage: 24 V (DC)
 Current: 0.85A/Phase
 Step Angle: 0.05°/step



Model No.: GS0500-17M001
 Supply Voltage: 24 V (DC)
 Current: 0.85A/Phase
 Step Angle: 0.036°/step



Model No.: GS1000-17M001
 Supply Voltage: 24 V (DC)
 Current: 0.85A/Phase
 Step Angle: 0.018°/step

