



Chipsmall Limited consists of a professional team with an average of over 10 year of expertise in the distribution of electronic components. Based in Hongkong, we have already established firm and mutual-benefit business relationships with customers from,Europe,America and south Asia,supplying obsolete and hard-to-find components to meet their specific needs.

With the principle of "Quality Parts,Customers Priority,Honest Operation,and Considerate Service",our business mainly focus on the distribution of electronic components. Line cards we deal with include Microchip,ALPS,ROHM,Xilinx,Pulse,ON,Everlight and Freescale. Main products comprise IC,Modules,Potentiometer,IC Socket,Relay,Connector.Our parts cover such applications as commercial,industrial, and automotives areas.

We are looking forward to setting up business relationship with you and hope to provide you with the best service and solution. Let us make a better world for our industry!



## Contact us

Tel: +86-755-8981 8866 Fax: +86-755-8427 6832

Email & Skype: info@chipsmall.com Web: www.chipsmall.com

Address: A1208, Overseas Decoration Building, #122 Zhenhua RD., Futian, Shenzhen, China





## Dual Output Adaptive Cable Equalizer

### Key Features

- SMPTE 424M, SMPTE 292M and SMPTE 259M compliant
- Automatic cable equalization
- Multi-standard operation from 143Mb/s to 2.97Gb/s
- Performance optimized for 270Mb/s, 1.485Gb/s and 2.97Gb/s. Typical equalized length of Belden 1694A cable:
  - ◆ 140m at 2.97Gb/s
  - ◆ 220m at 1.485Gb/s
  - ◆ 400m at 270Mb/s
- Supports DVB-ASI at 270Mb/s
- Dual, independently-controlled outputs
- Manual bypass (useful for low data rates with slow rise/fall times)
- Programmable carrier detect with squelch threshold adjustment
- Automatic power-down on loss of signal
  - ◆ Standby power <30mW (typical)
- Differential outputs support DC coupling to 1.2V, 2.5V or 3.3V CML logic
- 0/6 dB gain boost selection pin
- Cable Length Indicator output; varies monotonically with input cable length
- Selectable de-emphasis: 2dB, 4dB and 6dB
- Standard EIA/JEDEC logic control and status signal levels
- Single 3.3V power supply operation
- 207mW power consumption (typical)
- Wide operating temperature range of -40°C to +85°C
- Small footprint QFN package (4mm x 4mm)
- Pb-free and RoHS compliant

### Applications

- SMPTE 424M, SMPTE 292M and SMPTE 259M coaxial cable serial digital interfaces

### Description

The GS2993 is a high-speed BiCMOS integrated circuit designed to equalize and restore signals received over 75Ω coaxial cable.

The device is designed to support SMPTE 424M, SMPTE292M and SMPTE 259M, and is optimized for performance at 270Mb/s, 1.485Gb/s and 2.97Gb/s.

The GS2993 features DC restoration to compensate for the DC content of SMPTE pathological test patterns.

The Carrier Detect output pin ( $\overline{CD}$ ) indicates whether a valid input signal has been detected. It can be connected directly to the SLEEP pin to enable automatic power-down upon loss of carrier. A voltage programmable threshold, which can be changed via the SQ\_ADJ pin, forces  $\overline{CD}$  high when the input signal amplitude falls below the threshold. This allows the GS2993 to distinguish between low-amplitude SDI signals and noise at the input of the device.

The equalizing and DC restore stages are disengaged when the BYPASS pin is HIGH. No equalization occurs in Bypass mode.

The GS2993 includes a gain selection pin (GAIN\_SEL) which, when tied HIGH, compensates for 6dB flat attenuation.

The differential outputs can be DC-coupled to Gennum 3.3V cable drivers and reclockers, and to industry-standard 1.2V, 2.5V, and 3.3V CML logic by connecting the respective VCCO to 1.2V, 2.5V or 3.3V.

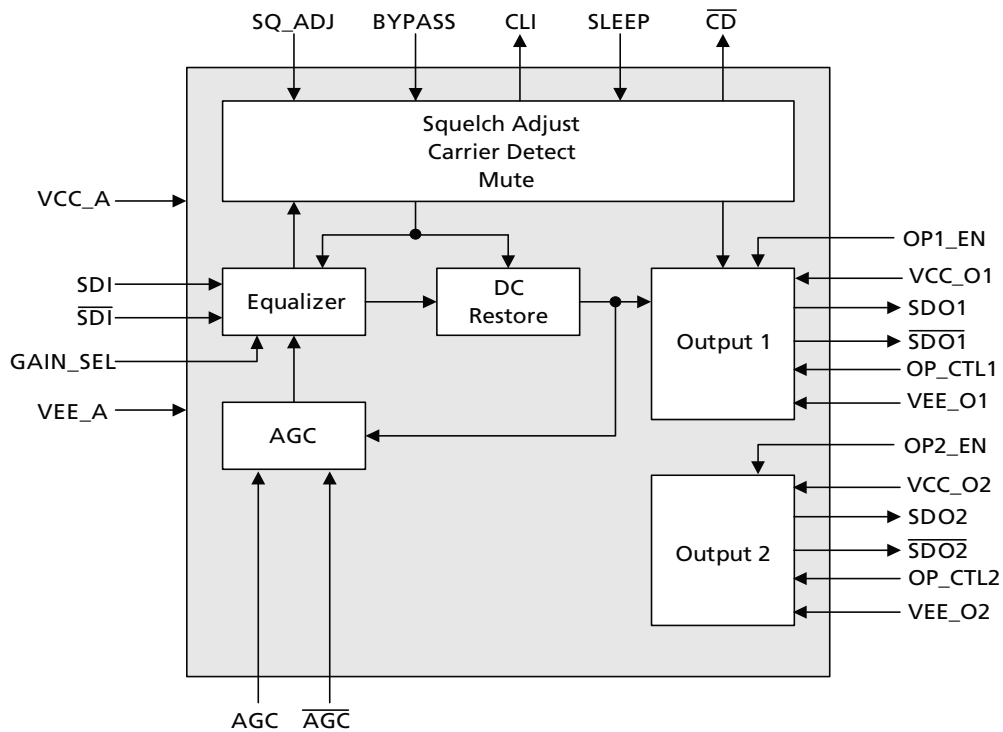
The GS2993 also includes programmable de-emphasis with three operating levels in order to support long PCB traces.

The device is available in a 24-pin, 4mm x 4mm QFN package.

Power consumption of the GS2993 is typically 207mW.

The GS2993 is Pb-free, and the encapsulation compound does not contain halogenated flame retardant.

This component and all homogeneous subcomponents are RoHS compliant.



GS2993 Functional Block Diagram

## Revision History

Version	ECR	PCN	Date	Changes and/or Modifications
4	158394	-	August 2012	Updates in <a href="#">GS2993 Pin Descriptions</a> , <a href="#">Table 2-1: DC Electrical Characteristics</a> , and <a href="#">Input/Output Circuits</a> .
3	157634	-	February 2012	Added pull-down resistor to <a href="#">Figure 3-5</a> . Updated the descriptions for the BYPASS and SLEEP pins in <a href="#">Table 1-1</a> . Clarification to column headings in <a href="#">Table 4-1</a> .
2	157164	-	November 2011	Updated the descriptions for the GAIN_SEL and SQ_ADJ pins in <a href="#">Table 1-1</a> to indicate that they have internal pull-down resistors.
1	155124	-	October 2010	Converted to Data Sheet. Increased cable length to 220m at 1.485Gb/s. Revised CLI Output Voltage Range in <a href="#">Table 2-1: DC Electrical Characteristics</a> .
0	154343	-	June 2010	Converted to Preliminary Data Sheet. Changes to the Power Consumption numbers in <a href="#">Table 2-1: DC Electrical Characteristics</a> and the Jitter numbers in <a href="#">Table 2-2: AC Electrical Characteristics</a> . Added <a href="#">Figure 4-2: Cable Length Indicator Output</a> .
B	153758	-	March 2010	Removed the 470nF capacitor (between $\overline{AGC}$ and GND) from <a href="#">Figure 5-1: GS2993 Typical Application Circuit</a> .
A	153234	-	January 2010	New document.



# Contents

1. Pin Out.....	4
1.1 GS2993 Pin Assignment .....	4
1.2 GS2993 Pin Descriptions .....	4
2. Electrical Characteristics .....	7
2.1 Absolute Maximum Ratings .....	7
2.2 DC Electrical Characteristics .....	7
2.3 AC Electrical Characteristics .....	9
3. Input/Output Circuits .....	11
4. Detailed Description.....	13
4.1 Serial Data Inputs .....	13
4.2 Cable Equalization .....	13
4.3 Serial Digital Outputs .....	13
4.4 Programmable Squelch Adjust (SQ_ADJ) .....	14
4.5 Carrier Detect, Sleep, and Auto-Sleep .....	15
4.6 GAIN_SEL .....	16
4.7 Adjustable Output Swing, De-Emphasis and Mute .....	16
4.8 Cable Length Indicator (CLI) .....	17
5. Application Information .....	18
5.1 High Gain Adaptive Cable Equalizers .....	18
5.2 PCB Layout .....	18
5.3 Typical Application Circuit .....	19
6. Package & Ordering Information .....	20
6.1 Package Dimensions .....	20
6.2 Packaging Data .....	20
6.3 Recommended PCB Footprint .....	21
6.4 Marking Diagram .....	21
6.5 Solder Reflow Profiles .....	22
6.6 Ordering Information .....	22

# 1. Pin Out

## 1.1 GS2993 Pin Assignment

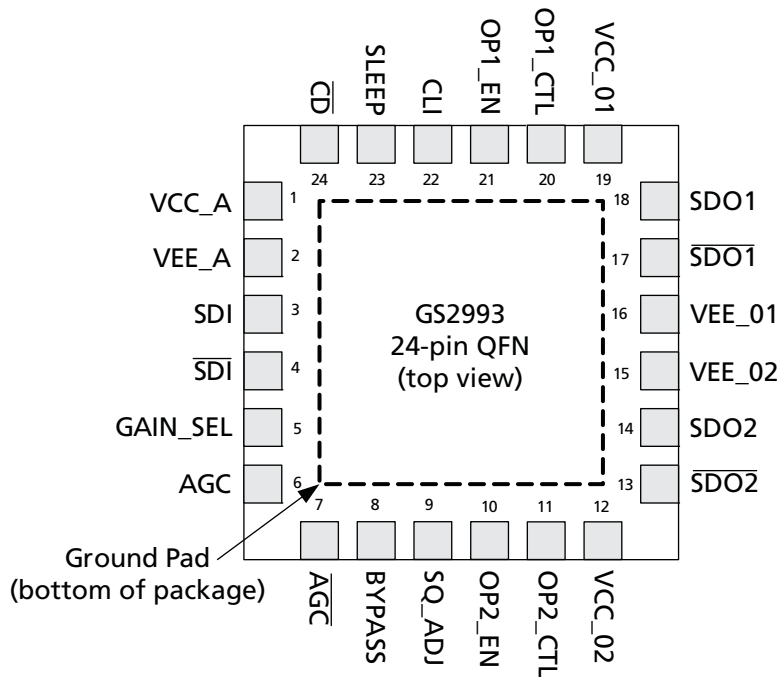


Figure 1-1: GS2993 Pin Out

## 1.2 GS2993 Pin Descriptions

Table 1-1: GS2993 Pin Descriptions

Pin Number	Name	Timing	Type	Description
1	VCC_A	Analog	Power	Most positive power supply connection for the input buffer, core and control circuits of the device. Connect to +3.3V DC.
2	VEE_A	Analog	Power	Most negative power supply connection for the input buffer, core and control circuits. Connect to GND.
3, 4	SDI, $\overline{\text{SDI}}$	Analog	Input	Serial digital differential input.
5	GAIN_SEL	Not Synchronous	Input	Input Sensitivity Control. When LOW, the sensitivity is 800mV. When HIGH, the sensitivity is 400mV. Includes an internal pull-down resistor.
6, 7	AGC, $\overline{\text{AGC}}$	Analog	–	External AGC capacitor. Connect pin 5 and pin 6 together as shown in the <a href="#">Typical Application Circuit on page 19</a> .

**Table 1-1: GS2993 Pin Descriptions (Continued)**

Pin Number	Name	Timing	Type	Description
8	BYPASS	Not Synchronous	Input	Core Bypass control signal input. Forces the equalizing and DC restore stages into Bypass mode when HIGH. No equalization occurs in this mode. Includes an internal pull-down resistor.
9	SQ_ADJ	Analog	Input	Squelch Threshold Adjust. Adjusts the input signal amplitude threshold of the carrier detect function. The output can be muted when the input signal amplitude is too low by connecting the $\overline{CD}$ and OP_CTL pins together through some external components. In this case, when $\overline{CD}$ is LOW (0V), OP1_CTL and/or OP2_CTL are forced LOW (0V), and when $\overline{CD}$ is HIGH (2.5V), OP1_CTL and/or OP2_CTL are forced HIGH (3.3V). The input level at which the part is muted can be set through the SQ_ADJ pin through suitable voltage variances as described in <a href="#">Section 4.4</a> . NOTE: when the SQ_ADJ functionality is used and/or in auto_mute, the auto sleep feature is not allowed, and the SLEEP pin should be left open. Includes an internal pull-down resistor.
10	OP2_EN		Input	Output 2 Enable. When HIGH, Output 2 is operational. When LOW, Output 2 is powered-down and the outputs are both at VCC_O2. Includes an internal pull down resistor.
11	OP2_CTL	Not Synchronous	Input	CONTROL SIGNAL INPUT Controls the Output Swing, De-emphasis, and Mute features of SDO and $\overline{SDO}$ from output 2. When connected to GND, the output swing is 800mV with no de-emphasis. When connected to the 3.3V analog power supply, the output is MUTED. Includes an internal pull down resistor. See <a href="#">Section 4.7</a> for all other control options.
12	VCC_O2	Analog	Power	Most positive power supply connection for the output buffer for output 2. Connect to 1.2 – 3.3V.
13, 14	$\overline{SDO2}$ , SDO2	Analog	Output	Equalized serial digital differential output 2.
15	VEE_O2	Analog	Power	Most negative power supply connection for the output buffer for output 2. Connect to GND.
16	VEE_O1	Analog	Power	Most negative power supply connection for the output buffer for output 1. Connect to GND.
17, 18	$\overline{SDO1}$ , SDO1	Analog	Output	Equalized serial digital differential output.
19	VCC_O1	Analog	Power	Most positive power supply connection for the output buffer for output 1. Connect to 1.2 – 3.3V.

**Table 1-1: GS2993 Pin Descriptions (Continued)**

Pin Number	Name	Timing	Type	Description
20	OP1_CTL		Input	<p>CONTROL SIGNAL INPUT</p> <p>Controls the Output Swing, De-emphasis, and Mute features of SDO and <math>\overline{SDO}</math> from output 1.</p> <p>When connected to GND, the output swing is 800mV with no de-emphasis. When connected to the 3.3V analog power supply, the output is MUTED.</p> <p>Includes an internal pull down resistor.</p> <p>See <a href="#">Section 4.7</a> for all other control options.</p>
21	OP1_EN		Input	<p>Output 1 Enable.</p> <p>When HIGH, Output 1 is operational.</p> <p>When LOW, Output 1 is powered-down and the outputs are both at VCC_O1.</p> <p>Includes an internal pull up resistor.</p>
22	CLI		Output	Cable Length Indicator.
23	SLEEP	Not Synchronous	Input	<p>CONTROL SIGNAL INPUT</p> <p>When set HIGH, the GS2993 is powered-down except for the Carrier Detect functionality.</p> <p>Includes an internal pull-down resistor.</p>
24	$\overline{CD}$	Not Synchronous	Output	<p>Carrier Detect status signal output.</p> <p>Signal levels are LVCMOS/LVTTL compatible.</p> <p>Indicates presence of a good input signal. When the <math>\overline{CD}</math> pin is LOW, a good input signal has been detected. When this pin is HIGH, the input signal is invalid.</p> <p>This pin will indicate loss of carrier for all supported data rates.</p>
-	Center Pad	-	Power	Internally bonded to VEE_A.

## 2. Electrical Characteristics

### 2.1 Absolute Maximum Ratings

Parameter	Value
Supply Voltage - Core	-0.5V to +3.6V DC
Supply Voltage - Output Driver	-0.5V to +3.6V DC
Input ESD Voltage (HBM)	5kV
Storage Temperature Range	-50°C < T <sub>s</sub> < 125°C
Input Voltage Range (any input)	-0.3 to (V <sub>CC_A</sub> +0.3)V
Operating Temperature Range	-40°C to +85°C
Solder Reflow Temperature	260°C

### 2.2 DC Electrical Characteristics

**Table 2-1: DC Electrical Characteristics**

V<sub>CC\_A</sub> = 3.3V ±5%, T<sub>A</sub> = -40°C to +85°C, unless otherwise shown

Parameter	Symbol	Conditions	Min	Typ	Max	Units	Notes
Supply Voltage - Core	V <sub>CC_A</sub>	–	3.135	3.3	3.465	V	–
Supply Voltage - Output Driver	V <sub>CC_01</sub> & V <sub>CC_02</sub>	–	1.14	1.2	1.26	V	1
		–	2.375	2.5	2.625	V	1
		–	3.135	3.3	3.465	V	1
Power Consumption	P <sub>D</sub>	T <sub>A</sub> = 25°C, V <sub>CC_01</sub> = 1.2V, V <sub>CC_02</sub> = off Output Swing = 400mV	–	165	–	mW	2
		T <sub>A</sub> = 25°C, V <sub>CC_01</sub> = 1.2V, V <sub>CC_02</sub> = 1.2V Output Swing = 400mV	–	207	–	mW	2
		T <sub>A</sub> = 25°C, V <sub>CC_01</sub> = 1.2V, V <sub>CC_02</sub> = 1.2V Output Swing = 800mV	–	226	–	mW	2



**Table 2-1: DC Electrical Characteristics (Continued)**
 $V_{CC\_A} = 3.3V \pm 5\%$ ,  $T_A = -40^\circ C$  to  $+85^\circ C$ , unless otherwise shown

Parameter	Symbol	Conditions	Min	Typ	Max	Units	Notes
Power Consumption	$P_D$	$T_A = 25^\circ C$ , $V_{CC\_01} = 3.3V$ , $V_{CC\_02} = \text{off}$ Output Swing = 400mV	–	184	–	mW	2
		$T_A = 25^\circ C$ , $V_{CC\_01} = 3.3V$ , $V_{CC\_02} = \text{off}$ Output Swing = 800mV	–	215	–	mW	2
		$T_A = 25^\circ C$ , $V_{CC\_01} = 3.3V$ , $V_{CC\_02} = 3.3V$ Output Swing = 400mV	–	241	–	mW	2
		$T_A = 25^\circ C$ , $V_{CC\_01} = 3.3V$ , $V_{CC\_02} = 3.3V$ Output Swing = 800mV	–	303	–	mW	2
Supply Current - Core	$I_s$	$T_A = 25^\circ C$ Both outputs on	–	57.3	–	mA	3
Supply Current - Output Driver (for each output)	$I_{\text{Output Driver}}$	$T_A = 25^\circ C$ , $V_{CC\_01}$ & $V_{CC\_02} = 3.3V$ , $\Delta V_{SDO} = 800mV$	–	17.3	–	mA	–
Supply Current - Output Driver (for each output)	$I_{\text{Output Driver}}$	$T_A = 25^\circ C$ , $V_{CC\_01}$ & $V_{CC\_02} = 3.3V$ , $\Delta V_{SDO} = 400mV$	–	8.9	–	mA	–
Input Common Mode Voltage	$V_{CMIN}$	$T_A = 25^\circ C$	–	1.8	–	V	–
SQ_ADJ DC Voltage (to mute signal)	–	0m, $T_A = 25^\circ C$	–	3.2	–	V	–
SQ_ADJ Range	–	$T_A = 25^\circ C$	–	0.9	–	V	–
CLI Output Voltage Range (referenced to $V_{CC\_A}$ )	–	$T_A = 25^\circ C$	–	0.6 to 2.0	–	V	–
$\overline{CD}$ Output Voltage	$V_{\overline{CD}(OH)}$	Carrier not present	2.0	–	–	V	–
	$V_{\overline{CD}(OL)}$	Carrier present	–	–	0.4	V	–
Sleep, GAIN_SEL, BYPASS, OP1_EN, OP2_EN Input High Level Voltage	$V_{IH}$	–	1.7	–	–	V	4

**Table 2-1: DC Electrical Characteristics (Continued)**

$V_{CC\_A} = 3.3V \pm 5\%$ ,  $T_A = -40^\circ C$  to  $+85^\circ C$ , unless otherwise shown

Parameter	Symbol	Conditions	Min	Typ	Max	Units	Notes
Sleep, GAIN_SEL, BYPASS, OP1_EN, OP2_EN Input Low Level Voltage	$V_{IL}$	–	–	–	0.7	V	4

**NOTES:**

1.  $V_{CC\_O}$  operates from 1.2V through 3.3V (+/-5%).
2. De-emphasis off.
3. An additional 6mA when de-emphasis is enabled (dual-output mode).
4. Digital pins are 2.5V, but 3.3V tolerant.

## 2.3 AC Electrical Characteristics

**Table 2-2: AC Electrical Characteristics**

$V_{CC\_A} = 3.3V \pm 5\%$ ,  $T_A = -40^\circ C$  to  $+85^\circ C$ , unless otherwise shown

Parameter	Symbol	Conditions	Min	Typ	Max	Units	Notes
Serial input data rate	$DR_{SDO}$	–	143	–	2970	Mb/s	–
Input Voltage Swing	$\Delta V_{SDI}$	$T_A = 25^\circ C$ , differential, 270Mb/s and 1.485Gb/s	720	800	950	mV <sub>p-p</sub>	1
		$T_A = 25^\circ C$ , differential, 2.97Gb/s	720	800	880	mV <sub>p-p</sub>	1
Output Voltage Swing	$\Delta V_{SDO}$	100 $\Omega$ load, $T_A = 25^\circ C$ , differential, OP_CTL set for high swing	–	800	–	mV <sub>p-p</sub>	2
		100 $\Omega$ load, $T_A = 25^\circ C$ , differential, OP_CTL set for low swing	–	400	–	mV <sub>p-p</sub>	2
Output Jitter of Various Cable Lengths and Data Rates	–	2.97Gb/s Belden 1694A: 0-120m SDO1 only	–	–	0.25	UI	3,6
	–	2.97Gb/s Belden 1694A: 0-120m SDO1 and SDO2 enabled	–	–	0.3	UI	3,6
	–	2.97Gb/s Belden 1694A: 120-140m	–	0.3	–	UI	4,6
	–	1.485Gb/s Belden 1694A: 0-180m	–	–	0.25	UI	3,6
	–	1.485Gb/s Belden 1694A: 180-220m	–	0.25	–	UI	4,6
	–	270Mb/s Belden 1694A: 0-400m	–	–	0.2	UI	3,6

**Table 2-2: AC Electrical Characteristics (Continued)** $V_{CC\_A} = 3.3V \pm 5\%$ ,  $T_A = -40^\circ C$  to  $+85^\circ C$ , unless otherwise shown

Parameter	Symbol	Conditions	Min	Typ	Max	Units	Notes
Output Rise/Fall time	-	2.97Gb/s & 1.485Gb/s 20% - 80%	-	75	-	ps	-
		270Mb/s	-	150	-	ps	-
Mismatch in rise/fall time	-	-	-	-	30	ps	-
Duty cycle distortion	-	3G/HD	-	-	30	ps	-
		SD	-	-	55	ps	-
Overshoot	-	-	-	-	10	%	-
Input Return Loss	-	-	15	21	-	dB	5
Input Resistance	-	single-ended	-	1.9	-	k $\Omega$	-
Input Capacitance	-	single-ended	-	1.3	-	pF	-
Output Resistance	-	single-ended	-	50	-	$\Omega$	-

**NOTES:**

- 0m cable length.
- OP\_CTL refers to either OP1\_CTL or OP2\_CTL
- All parts are production tested. In order to guarantee jitter over the full range of specification ( $V_{CC\_A}$ ,  $V_{CC\_01}$  &  $V_{CC\_02} = 3.3V \pm 5\%$ ,  $T_A = -40^\circ C$  to  $+85^\circ C$ , and 720-880mV launch swing from the SDI cable driver) the recommended applications circuit must be used.
- Based on characterization data using the recommended applications circuit, at  $V_{CC\_A}$ ,  $V_{CC\_01}$  &  $V_{CC\_02} = 3.3V$ ,  $T_A = 25^\circ C$  and 800mV launch swing from the SDI cable driver.
- Tested on a GS2993 board from 5MHz to 3GHz.
- GAIN\_SEL = 0.

# 3. Input/Output Circuits

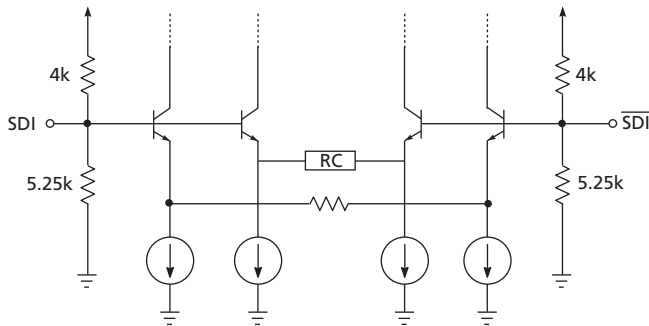


Figure 3-1: Input Equivalent Circuit

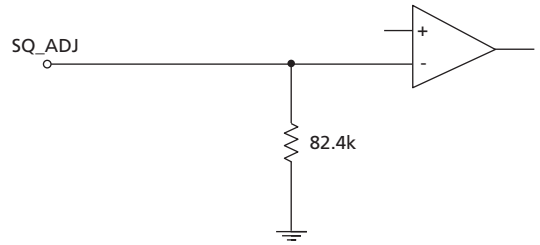


Figure 3-2: SQ\_ADJ Equivalent Circuit

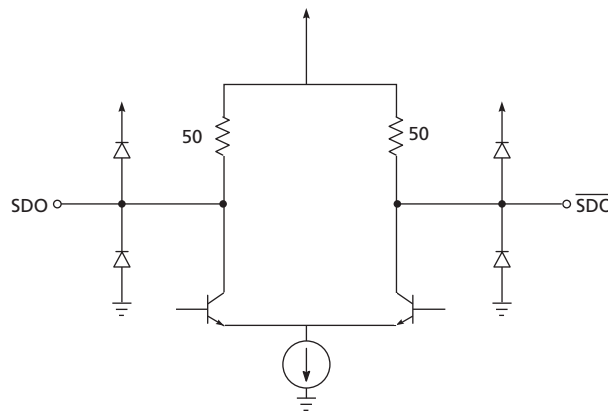


Figure 3-3: Output Circuit

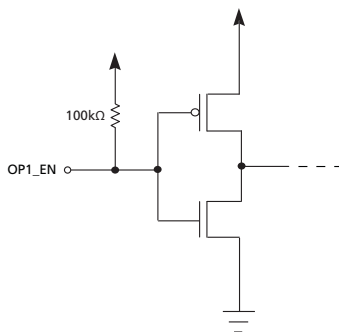


Figure 3-4: OP1\_EN Circuit

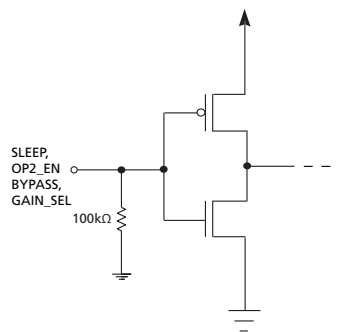


Figure 3-5: SLEEP, OP2\_EN, BYPASS, and GAIN\_SEL Circuit

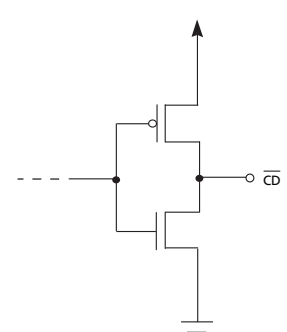


Figure 3-6:  $\overline{CD}$  Circuit

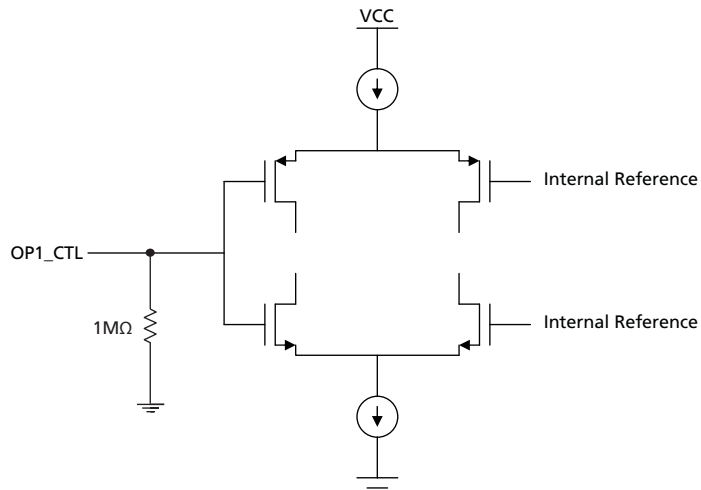


Figure 3-7: OP1\_CTL

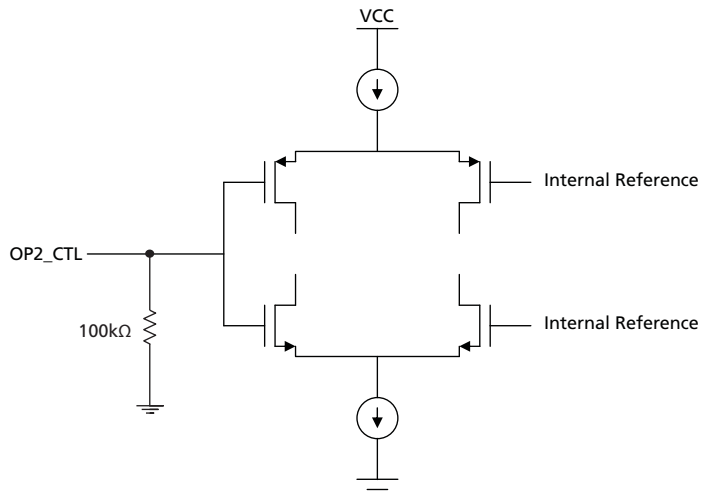


Figure 3-8: OP2\_CTL

## 4. Detailed Description

The GS2993 is a high-speed BiCMOS IC designed to equalize serial digital signals. The GS2993 can equalize 3Gb/s, HD and SD serial digital signals, and will typically equalize 140m of Belden 1694A cable at 2.97Gb/s, 220m at 1.485Gb/s and 400m at 270Mb/s. The GS2993 can be powered from a single +3.3V power supply. When using 1.2V CML, the GS2993 typically consumes approximately 200mW of power. The GS2993 features dual independently controlled outputs, and can be operated from a single +3.3V power supply.

### 4.1 Serial Data Inputs

The Serial Data signal can be connected to the input pins ( $\overline{\text{SDI}}/\overline{\text{SDI}}$ ) in either a differential or single-ended configuration. AC-coupling of the inputs is recommended, as the SDI and  $\overline{\text{SDI}}$  inputs are internally biased at approximately 1.8V.

### 4.2 Cable Equalization

The input signal passes through a variable gain equalizing stage, whose frequency response closely matches the inverse of the cable loss characteristic. In addition, the variation of the frequency response with control voltage imitates the variation of the inverse cable loss characteristic with cable length.

The edge energy of the equalized signal is monitored by a detector circuit which produces an error signal corresponding to the difference between the desired edge energy and the actual edge energy. This error signal is integrated by both an internal and an external AGC filter capacitor providing a steady control voltage for the gain stage. As the frequency response of the gain stage is automatically varied by the application of negative feedback, the edge energy of the equalized signal is kept at a constant level which is representative of the original edge energy at the transmitter. The equalized signal is also DC-restored, effectively restoring the logic threshold of the equalized signal to its correct level independent of shifts due to AC-coupling.

### 4.3 Serial Digital Outputs

The GS2993 features dual independently controlled outputs. The digital output signals have a nominal voltage of either 800mV<sub>p-p</sub> or 400mV<sub>p-p</sub>, as set by the OP1\_CTL pin for SDO1 and OP2\_CTL pin for SDO2.

Table 4-1 below shows the typical output voltage levels across different common mode voltages and swing values.

Table 4-1: Typical Output Voltage Levels

Supply Voltage - Output Driver	400mV <sub>p-p</sub> Swing (DC-coupled Output)	400mV <sub>p-p</sub> Swing (AC-coupled Output)	800mV <sub>p-p</sub> Swing (DC-coupled Output)	800mV <sub>p-p</sub> Swing (AC-coupled Output)
3.3V	3.2V	3.1V	3.1V	2.9V
2.5V	2.4V	2.3V	2.3V	2.1V



**Table 4-1: Typical Output Voltage Levels**

Supply Voltage - Output Driver	400mV <sub>p-p</sub> Swing (DC-coupled Output)	400mV <sub>p-p</sub> Swing (AC-coupled Output)	800mV <sub>p-p</sub> Swing (DC-coupled Output)	800mV <sub>p-p</sub> Swing (AC-coupled Output)
1.8V	1.7V	1.6V	1.6V	1.4V
1.2V	1.1V	1V	1V	0.8V

## 4.4 Programmable Squelch Adjust (SQ\_ADJ)

The GS2993 incorporates a programmable Squelch Adjust (SQ\_ADJ) threshold.

This feature can be useful in applications where there are multiple input channels using the GS2993 and the maximum gain can be limited to avoid crosstalk.

The SQ\_ADJ pin acts to change the threshold of the Carrier Detect ( $\overline{CD}$ ) pin, through voltage level variances. When the input signal drops below a certain threshold, the  $\overline{CD}$  pin will be driven HIGH, indicating that there is not a valid input signal. In applications where programmable squelch adjust is not required, the SQ\_ADJ pin may be left unconnected. Figure 4-1 shows the relationship between the SQ\_ADJ voltage and cable length at which  $\overline{CD}$  will assert or de-assert.

This feature has been designed for use in applications such as routers, where signal crosstalk and circuit noise cause the Equalizer to output erroneous data when no input signal is present. The use of a Carrier Detect function with a fixed internal reference does not solve this problem, since the signal to noise ratio on the circuit board could be significantly less than the default signal detection level set by the on chip reference.

**NOTE:** SQ\_ADJ is designed to operate when the device is in manual sleep mode. In this situation,  $\overline{CD}$  should not be connected to SLEEP.

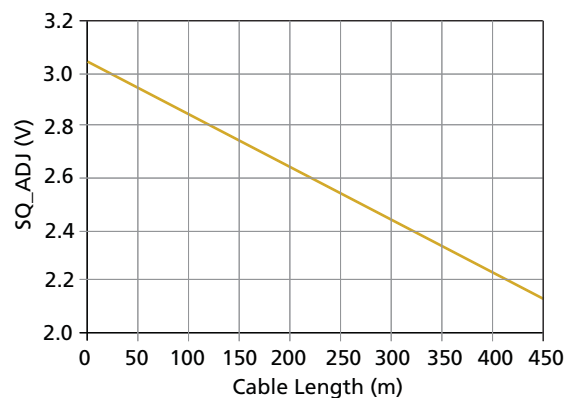


Figure 4-1: SQ\_ADJ vs. Cable Length (VCC=3.3V, room temperature, 800mV launch swing)

## 4.5 Carrier Detect, Sleep, and Auto-Sleep

The GS2993 includes a SLEEP input pin, which allows the application interface to put the GS2993 into a low-power sleep mode, consuming less than 30mW. Set the SLEEP pin HIGH to place the chip in its sleep state. In this mode, the Carrier Detect output will still function in order to detect valid Serial Digital Input.

The Carrier Detect output pin ( $\overline{CD}$ ) indicates the presence of a valid signal at the input of the GS2993. When  $\overline{CD}$  is LOW, the device has detected a valid input on SDI and  $\overline{SDI}$ . When  $\overline{CD}$  is HIGH, the device has not detected a valid input.

The Carrier Detect output still functions when the GS2993 is in sleep mode, such that a valid Serial Digital Input can be detected at all times. In the sleep state, the carrier detect functionality requires that the GAIN\_SEL input be set to 0.

Auto-Sleep can be enabled by connecting  $\overline{CD}$  to SLEEP. When connected, the GS2993 will automatically go into standby mode when there is a loss of Serial Digital Input signal.

NOTE 1:  $\overline{CD}$  will only detect loss of carrier for data rates greater than 19Mb/s.

NOTE 2: If the maximum cable length is exceeded (set by the SQ\_ADJ pin) and the device is not in Bypass mode, the  $\overline{CD}$  pin will not be driven LOW, even if a carrier is present.

NOTE 3: If the  $\overline{CD}$  is connected to SLEEP, SQ\_ADJ should either be left open, or connected to ground.

**Table 4-2: Sleep Input Table**

Sleep	Function
0	The GS2993 operates normally
1	The GS2993 enters sleep mode. $\overline{CD}$ output remains valid

**Table 4-3:  $\overline{CD}$  Output Table**

$\overline{CD}$	Input Status
0	Valid Input on SDI, $\overline{SDI}$ pins
1	Input is not valid

## 4.6 GAIN\_SEL

The GS2993 has an option of compensating for 6dB of flat attenuation in applications where there has been some type of attenuation prior to the equalizer.

Table 4-4: GAIN\_SEL Input Table

GAIN_SEL	Function
0	No flat band gain is applied
1	6dB of flat attenuation will be compensated by the equalizer.

## 4.7 Adjustable Output Swing, De-Emphasis and Mute

With the GS2993, the OP1\_CTL input pin determines the output swing and de-emphasis settings for the first output, with OP2\_CTL controlling the second output.

The OP1\_CTL and OP2\_CTL pins are both analog inputs to allow different combinations of output swing, de-emphasis and mute. The possible values are listed in Table 4-5 below:

Table 4-5: OP1\_CTL and OP2\_CTL Functions and Levels

Level	Swing	De-emphasis	Mute	Voltage
0	800mV	Off	N	0
1	800mV	2dB	N	$1 \times (V_{CC\_A})/8$
2	800mV	4dB	N	$2 \times (V_{CC\_A})/8$
3	800mV	6dB	N	$3 \times (V_{CC\_A})/8$
4	400mV	Off	N	$4 \times (V_{CC\_A})/8$
5	400mV	2dB	N	$5 \times (V_{CC\_A})/8$
6	400mV	4dB	N	$6 \times (V_{CC\_A})/8$
7	400mV	6dB	N	$7 \times (V_{CC\_A})/8$
8	400mV	N/A	Y	$V_{CC\_A}$

Auto\_mute can be enabled by connecting  $\overline{CD}$  to OP\_CTL through external components, such that when  $\overline{CD}$  is HIGH (2.5V), OP\_CTL is forced HIGH (3.3V) and when  $\overline{CD}$  is LOW (0V), OP\_CTL is forced LOW (0V). The input level at which the part is muted can be set by the SQ\_ADJ pin through suitable voltage variances as described in Section 4.4.

NOTE: When SQ\_ADJ functionality is used and/or in Auto\_mute, the SLEEP pin should be left open.

## 4.8 Cable Length Indicator (CLI)

The GS2993 has a Cable Length Indicator output. This is an analog voltage in the range of 0V to 3.3V, varying monotonically with input cable length. See [Figure 4-2](#) and [Table 4-6](#) below.

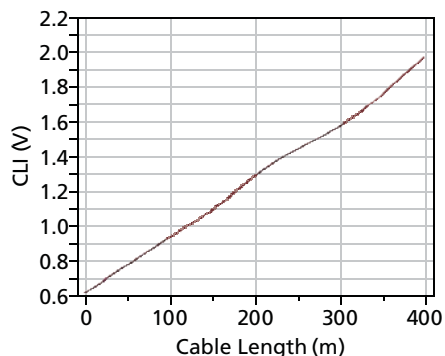


Figure 4-2: Cable Length Indicator Output

Table 4-6: Cable Length Indicator Output

Cable Length (m)	0	120	140	160	200	300	400
CLI (V)	0.62	1.00	1.06	1.13	1.29	1.58	1.98

NOTE: The CLI output voltage is referenced to  $V_{CC\_A}$ .

# 5. Application Information

## 5.1 High Gain Adaptive Cable Equalizers

The GS2993 is Gennum's latest multi-rate adaptive cable equalizer. In order to achieve industry-leading 3Gb/s cable lengths, it is necessary to have high-gain in the equalizer.

A video cable equalizer must provide wide band gain over a range of frequencies in order to accommodate the range of data rates and signal patterns that are present in a SMPTE compliant serial video stream.

The GS2993 has an increase in gain over the GS2974A at critical HD and 3Gb/s frequencies, and because of this, the GS2993 may be sensitive to signals at the input that the GS2974A will not be sensitive to.

Small levels of signal or noise present at the input pins of the Equalizer may cause chatter at the output. In order to prevent this from happening, particular attention must be paid to board layout.

## 5.2 PCB Layout

Special attention must be paid to component layout when designing Serial Digital Interfaces for HDTV. An FR-4 dielectric can be used, however, controlled impedance transmission lines are required for PCB traces longer than approximately 1cm. Note the following PCB artwork features used to optimize performance:

- PCB trace width for 3Gb/s rate signals is closely matched to SMT component width to minimize reflections due to change in trace impedance
- The PCB ground plane is removed under the GS2993 input components to minimize parasitic capacitance
- The PCB ground plane is removed under the GS2993 output components to minimize parasitic capacitance
- High-speed traces are curved to minimize impedance changes

## 5.3 Typical Application Circuit

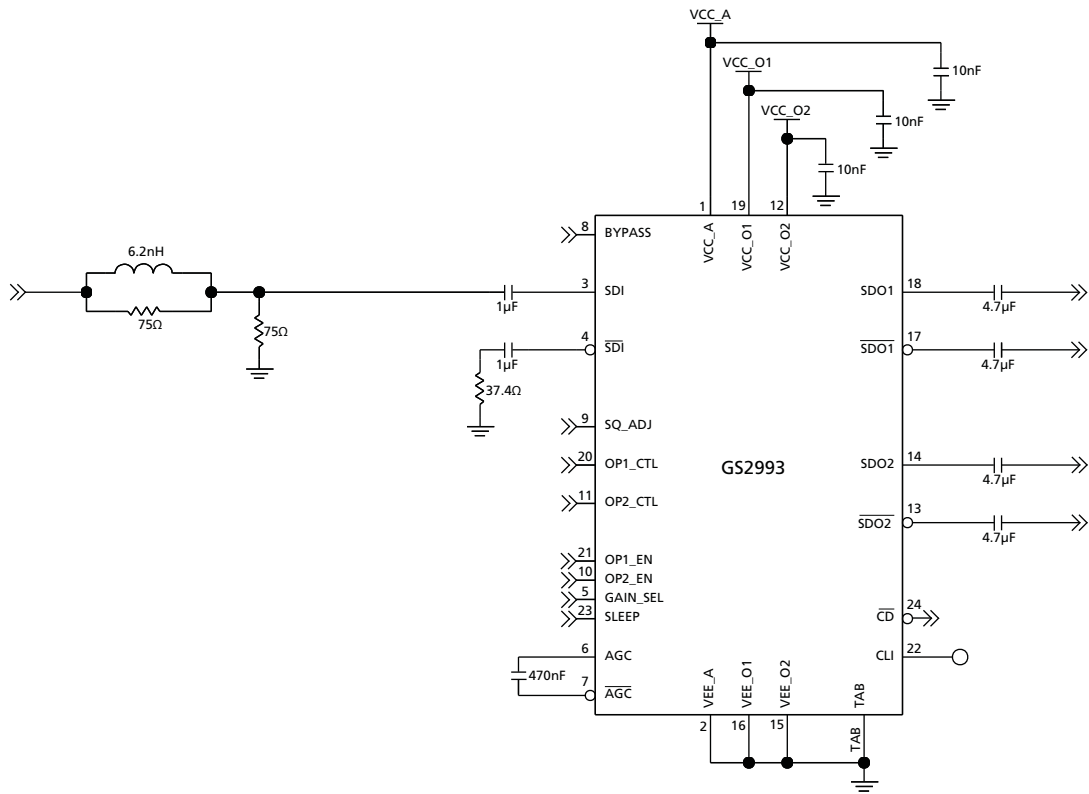
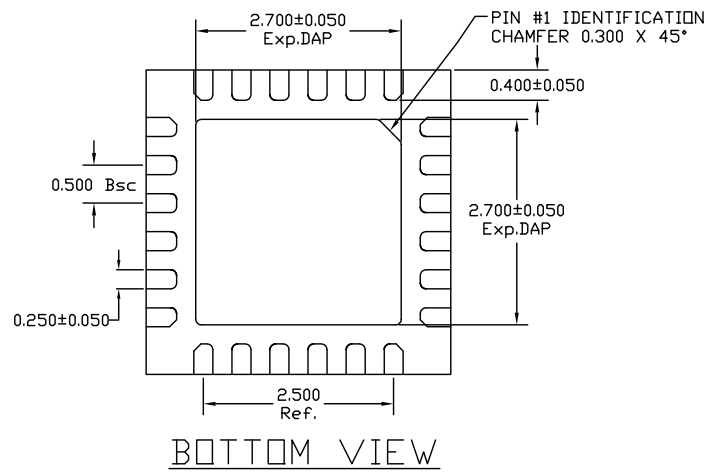
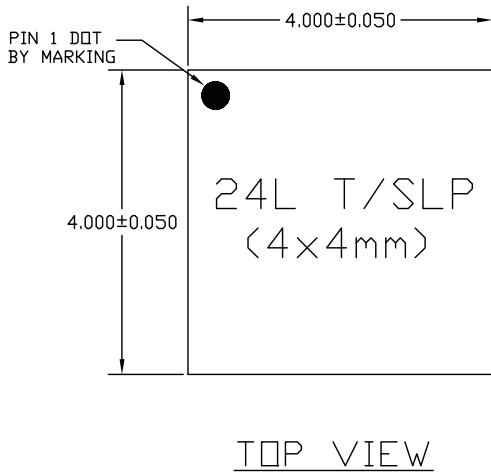


Figure 5-1: GS2993 Typical Application Circuit



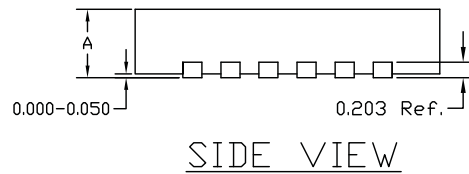
# 6. Package & Ordering Information

## 6.1 Package Dimensions



**NOTE:**  
 1) TSLP AND SLP SHARE THE SAME EXPOSE OUTLINE BUT WITH DIFFERENT THICKNESS:

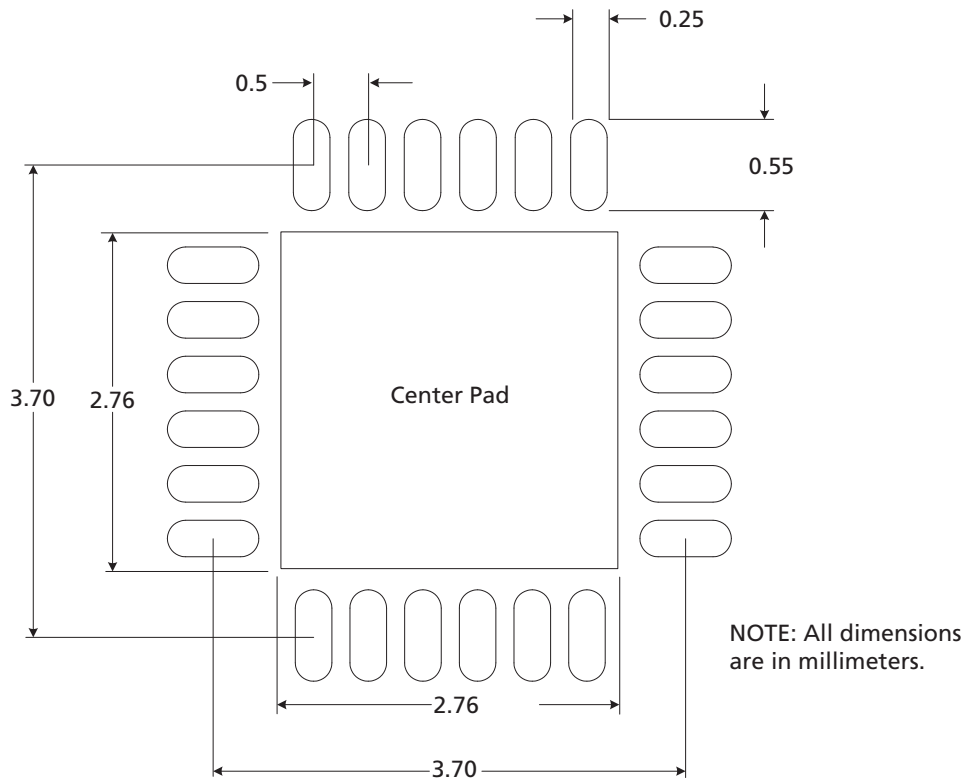
A		TSLP	SLP
	MAX.	0.800	0.900
NOM.	0.750	0.850	
MIN.	0.700	0.800	



## 6.2 Packaging Data

Parameter	Value
Package Type	4mm x 4mm 24-pin QFN
Package Drawing Reference	JEDEC M0220
Moisture Sensitivity Level	1
Junction to Case Thermal Resistance, $\theta_{j-c}$	31.0°C/W
Junction to Air Thermal Resistance, $\theta_{j-a}$ (at zero airflow)	43.8°C/W
Psi, $\psi$	11.0°C/W
Pb-free and RoHS compliant	Yes

## 6.3 Recommended PCB Footprint



The Center Pad should be connected to the most negative power supply plane for analog circuitry in the device (VEE\_A) by a minimum of 5 vias.

NOTE: Suggested dimensions only. Final dimensions should conform to customer design rules and process optimizations.

## 6.4 Marking Diagram

Pin 1 ID



XXXX - Lot/Work Order ID

YYWW - Date Code

YY - 2-digit year

WW - 2-digit week number

## 6.5 Solder Reflow Profiles

The GS2993 is available in a Pb-free package. It is recommended that the Pb-free package be soldered with Pb-free paste using the reflow profile shown in Figure 6-1.

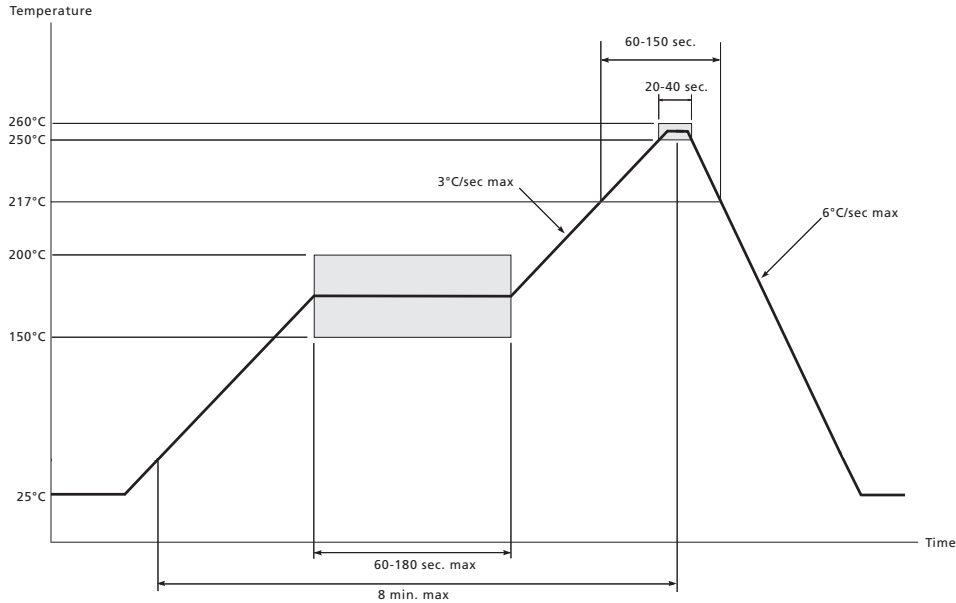


Figure 6-1: Maximum Pb-free Solder Reflow Profile

## 6.6 Ordering Information

	Part Number	Package	Temperature Range
GS2993	GS2993-INE3	24-pin QFN	-40°C to 85°C
GS2993	GS2993-INTE3	24-pin QFN Tape & Reel (250pcs)	-40°C to 85°C
GS2993	GS2993-INTE3Z	24-pin QFN Tape & Reel (2500pcs)	-40°C to 85°C



---

**DOCUMENT IDENTIFICATION  
DATA SHEET**

Information relating to this product and the application or design described herein is believed to be reliable, however such information is provided as a guide only and Semtech assumes no liability for any errors in this document, or for the application or design described herein. Semtech reserves the right to make changes to the product or this document at any time without notice.

**CAUTION**

ELECTROSTATIC SENSITIVE DEVICES  
DO NOT OPEN PACKAGES OR HANDLE EXCEPT AT A  
STATIC-FREE WORKSTATION



---

© Semtech 2012

All rights reserved. Reproduction in whole or in part is prohibited without the prior written consent of the copyright owner. The information presented in this document does not form part of any quotation or contract, is believed to be accurate and reliable and may be changed without notice. No liability will be accepted by the publisher for any consequence of its use. Publication thereof does not convey nor imply any license under patent or other industrial or intellectual property rights. Semtech assumes no responsibility or liability whatsoever for any failure or unexpected operation resulting from misuse, neglect improper installation, repair or improper handling or unusual physical or electrical stress including, but not limited to, exposure to parameters beyond the specified maximum ratings or operation outside the specified range.

SEMTECH PRODUCTS ARE NOT DESIGNED, INTENDED, AUTHORIZED OR WARRANTED TO BE SUITABLE FOR USE IN LIFE-SUPPORT APPLICATIONS, DEVICES OR SYSTEMS OR OTHER CRITICAL APPLICATIONS. INCLUSION OF SEMTECH PRODUCTS IN SUCH APPLICATIONS IS UNDERSTOOD TO BE UNDERTAKEN SOLELY AT THE CUSTOMER'S OWN RISK. Should a customer purchase or use Semtech products for any such unauthorized application, the customer shall indemnify and hold Semtech and its officers, employees, subsidiaries, affiliates, and distributors harmless against all claims, costs damages and attorney fees which could arise.

Notice: All referenced brands, product names, service names and trademarks are the property of their respective owners.

---

**Contact Information**

Semtech Corporation  
Gennum Products Division  
200 Flynn Road, Camarillo, CA 93012  
Phone: (805) 498-2111, Fax: (805) 498-3804  
[www.semtech.com](http://www.semtech.com)