



Chipsmall Limited consists of a professional team with an average of over 10 year of expertise in the distribution of electronic components. Based in Hongkong, we have already established firm and mutual-benefit business relationships with customers from,Europe,America and south Asia,supplying obsolete and hard-to-find components to meet their specific needs.

With the principle of “Quality Parts,Customers Priority,Honest Operation,and Considerate Service”,our business mainly focus on the distribution of electronic components. Line cards we deal with include Microchip,ALPS,ROHM,Xilinx,Pulse,ON,Everlight and Freescale. Main products comprise IC,Modules,Potentiometer,IC Socket,Relay,Connector.Our parts cover such applications as commercial,industrial, and automotives areas.

We are looking forward to setting up business relationship with you and hope to provide you with the best service and solution. Let us make a better world for our industry!



## Contact us

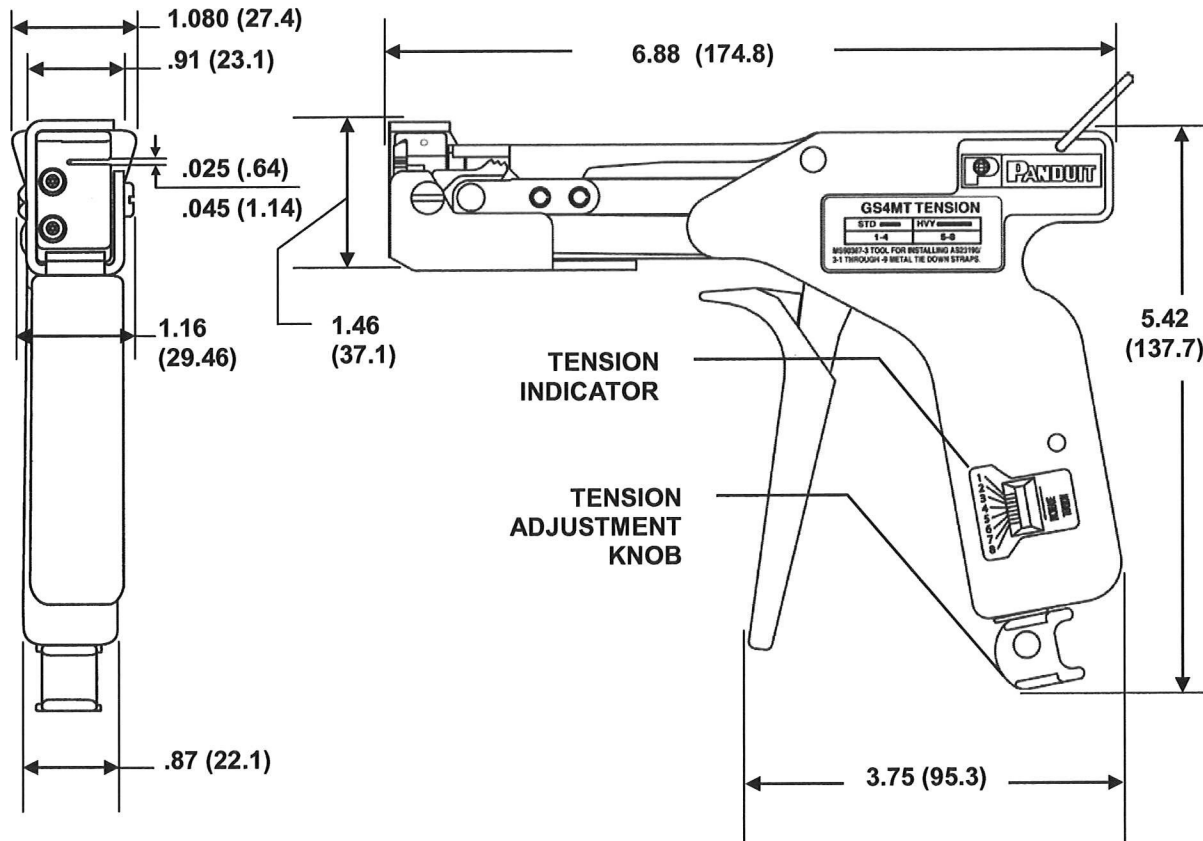
Tel: +86-755-8981 8866 Fax: +86-755-8427 6832

Email & Skype: info@chipsmall.com Web: www.chipsmall.com

Address: A1208, Overseas Decoration Building, #122 Zhenhua RD., Futian, Shenzhen, China



THIS COPY IS PROVIDED ON A RESTRICTED BASIS AND IS NOT TO BE USED IN ANY WAY DETRIMENTAL TO THE INTERESTS OF PANDUIT CORP.



**SPECIFICATIONS:**  
 PANDUIT TOOL NO.: GS4MT  
 TOOL WEIGHT: 19.2 oz. (544 gr.)

INSTALLS PANDUIT Pan-Steel STANDARD (STD), LIGHT-HEAVY (LH) AND HEAVY (HVV) CROSS SECTION STAINLESS STEEL TIES.

- THIS MILITARY STANDARD MS-90387-3 TOOL CAN BE USED TO INSTALL THE FOLLOWING MLT STRAPS: AS23190/3-1,2,3,4,5,6,7,8,9
- THIS TOOL TIGHTENS STAINLESS STEEL TIES AND CUTS OFF EXCESS PORTION WHEN PRESET TENSION IS ATTAINED
- SUPPLIED WITH SELECTOR KNOB FOR TENSION ADJUSTMENT.

DIMENSIONS SHOWN IN PARENTHESES ARE METRIC

F:\RVUSERS\ENGDOCS\CUSTDWGS\WB17905A01\_03.doc

						<b>GS4MT STAINLESS STEEL TIE INSTALLATION TOOL</b>						
						CUSTOMER DRAWING						
						ITEM REVISION NAME:		<b>PANDUIT</b>				
						WB17905A01_03						
						UNLESS OTHERWISE SPECIFIED, DIMENSIONAL TOLERANCES ARE:		MATERIAL:				
						(.x) ± --- (.xxx) ± ---		-----				
						(.xx) ± --- ANGLES ± ---		DRAWING NUMBER:				
						THIRD ANGLE PROJECTION		WB17905A01				
03	2-07-13	BLR			UPD TEMPLATE & BRANDING	4608						
REV	DATE	BY	CHK	APR	DESCRIPTION	ECN	DRAWN BY:	DATE:	CHK	SCALE	SHT 1 OF 1	SIZE
							BLR	2-26-04	ABJ	NONE		A