



Chipsmall Limited consists of a professional team with an average of over 10 year of expertise in the distribution of electronic components. Based in Hongkong, we have already established firm and mutual-benefit business relationships with customers from,Europe,America and south Asia,supplying obsolete and hard-to-find components to meet their specific needs.

With the principle of “Quality Parts,Customers Priority,Honest Operation,and Considerate Service”,our business mainly focus on the distribution of electronic components. Line cards we deal with include Microchip,ALPS,ROHM,Xilinx,Pulse,ON,Everlight and Freescale. Main products comprise IC,Modules,Potentiometer,IC Socket,Relay,Connector.Our parts cover such applications as commercial,industrial, and automotives areas.

We are looking forward to setting up business relationship with you and hope to provide you with the best service and solution. Let us make a better world for our industry!



## Contact us

Tel: +86-755-8981 8866 Fax: +86-755-8427 6832

Email & Skype: info@chipsmall.com Web: www.chipsmall.com

Address: A1208, Overseas Decoration Building, #122 Zhenhua RD., Futian, Shenzhen, China



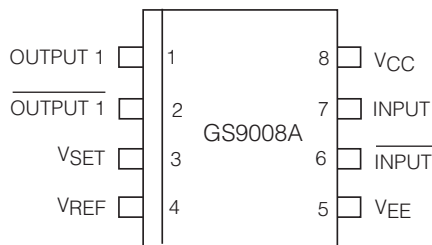
## KEY FEATURES

- two output pairs, adjustable from 0 to 1100mVp-p into 75 Ω loads
- nominal 600 ps rise and fall times
- accepts SMPTE and standard ECL input levels
- operates from a single +5 or -5 volt supply
- on-chip DC restoration for low jitter
- 170mW power dissipation
- interfaces with GENLINX™ GS9002, GS9004A, GS9005A and GS9015A
- Pb-free and Green

## APPLICATIONS

- SMPTE 259M Serial Digital Systems (4:2:2 & 4fsc)
- Other Serial Digital Video Interfaces — 360Mb/s
- General purpose high speed driver applications

## PIN CONNECTIONS



## DESCRIPTION

The GENLINX™ GS9008A is a bipolar integrated circuit designed to drive two 75 Ω co-axial cables at data rates exceeding 400Mb/s. It directly interfaces with other GENLINX™ devices and can also be used as a general purpose high speed cable driver.

While there are no plans to discontinue the GS9008A, Gennum has developed a successor product with improved features and performance called the GS9028. The GS9028 is recommended for new designs.

The differential inputs are AC-coupled and internally DC-restored which allows correct passage of pathological check codes associated with the serial digital standards. Even though the inputs are AC coupled, static protection diodes at each input restrict the DC differential so that if the driving source uses the opposite polarity power supply, external DC blocking capacitors must be used.

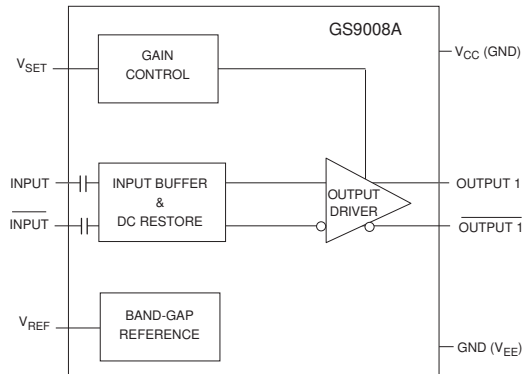
Correctly terminated output signal levels are adjustable from as low as 0mV to as high as 1100mV with little change in other performance parameters. Performance is guaranteed for output levels between 600mV and 1000mV. The gain of the output stages is varied by adjusting the  $V_{SET}$  voltage with respect to an internal band gap reference voltage  $V_{REF}$ .

The GS9008A is packaged in an 8 pin SOIC, and operates from a single +5 or -5 volt supply consuming typically only 170mW of power.

## ORDERING INFORMATION

PART NUMBER	PACKAGE TYPE	TEMPERATURE RANGE	Pb-FREE AND GREEN
GS9008ACKA	8 Pin SOIC	0° to 70°C	No
GS9008ACKAE3	8 Pin SOIC	0° to 70°C	Yes

## FUNCTIONAL BLOCK DIAGRAM



**ABSOLUTE MAXIMUM RATINGS**

PARAMETER	VALUE
Supply Voltage (VS)	5.5V
Input Voltage Range (any input)	$V_S - 0.5V$
Power Dissipation	300mW
Operating Temperature Range	$0^{\circ}C \leq T_A \leq 70^{\circ}C$
Storage Temperature Range	$-65^{\circ}C \leq T_S \leq 150^{\circ}C$
Lead Temperature (soldering, 10 sec)	260°C

**GS9008A CABLE DRIVER — DC ELECTRICAL CHARACTERISTICS**

Conditions:  $V_S = 5V$ ,  $T_A = 0^{\circ}C$  to  $70^{\circ}C$ ,  $R_L = 150 \Omega$  to GND and  $144 \Omega$  AC coupled unless otherwise shown

PARAMETER	SYMBOL	CONDITIONS	MIN	TYP	MAX	UNITS	NOTES
Supply Voltage	$V_S$		4.5	5.0	5.5	volts	
Power Consumption	$P_D$	4 x 150Ω Loads DC 1% Accuracy, $T_A = 25^{\circ}C$ $V_{SET} = (0.667) V_{REF}$	-	170	190	mW	
Supply Current	$I_{S1}$		-	62	67	mA	
Supply Current	$I_{S2}$	DC No Loads, $T_A = 25^{\circ}C$	-	16	20	mA	
Reference Voltage	$V_{REF}$	10 kΩ to ground	-	1.2	-	volts	

**GS9008A CABLE DRIVER — AC ELECTRICAL CHARACTERISTICS**

Conditions:  $V_S = 5V$ ,  $T_A = 0^{\circ}C$  to  $70^{\circ}C$ ,  $R_L = 150 \Omega$  to GND and  $144 \Omega$  AC coupled unless otherwise shown

PARAMETER	SYMBOL	CONDITIONS	MIN	TYP	MAX	UNITS	NOTES
Input Signal Amplitude	$V_{IN}$		700	800	1000	mVp-p	
Input Signal Rise/Fall Times	$t_R, t_F$		-	-	750	ps	
Output Amplitudes across 75 Ω Load (See Note 1)	$V_{OUT}$	$V_{SET} = (0.5) V_{REF}$	540	600	660	mVp-p	Note 1 & 2
		$V_{SET} = (0.667) V_{REF}$	720	800	880	mVp-p	Note 1 & 2
		$V_{SET} = (0.833) V_{REF}$	900	1000	1100	mVp-p	Note 1 & 2
Output Amplitude Temperature Coefficient (See Note 2)	$T_C$	$V_{SET} = (0.5) V_{REF}$	-	25	100	ppm/°C	
		$V_{SET} = (0.667) V_{REF}$	-	-12	80	ppm/°C	
		$V_{SET} = (0.833) V_{REF}$	-	-45	80	ppm/°C	
Output Rise/Fall Times (20% to 80%)	$t_R, t_F$	$V_{SET} = (0.5) V_{REF}$	400	630	800	ps	
		$V_{SET} = (0.667) V_{REF}$	400	575	800	ps	
		$V_{SET} = (0.833) V_{REF}$	400	530	800	ps	
Output Overshoot		$t_R = t_F = 600$ ps	-	0	-	%	See Figure 3
Jitter	$t_J$	at 270Mb/s	-	-	±25	ps	
Propagation Delay	$t_P$		-	1	-	ns	

- $V_{OUT}$  is measured across a correctly terminated load, back matched to the device. The peak to peak voltage of the device itself is  $2 \times V_{OUT}$ .
- $V_{OUT}$  is proportional to  $V_{SET}$  and  $V_{SET}$  may be an external low impedance, high stability supply. In this case the amplitude temperature coefficient will not be guaranteed.

# INPUT/OUTPUT CIRCUITS

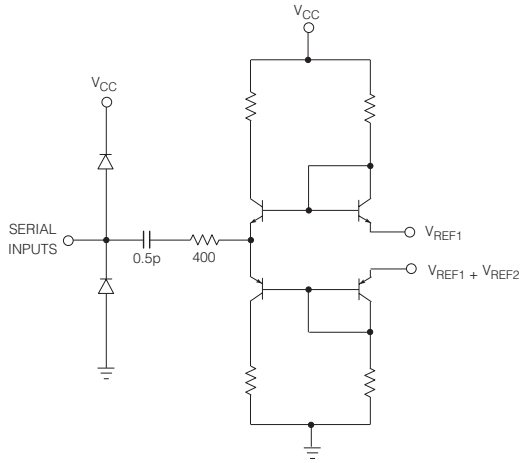


Figure 1 Input Circuit (Pins 6 and 7)

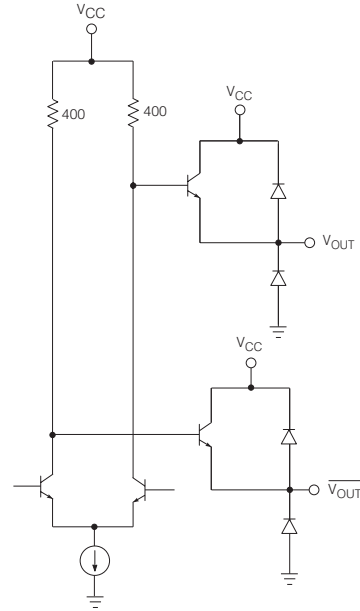
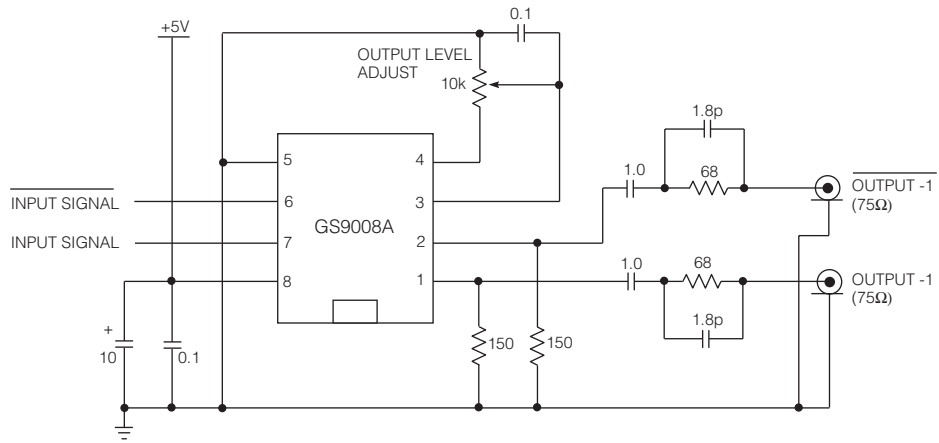
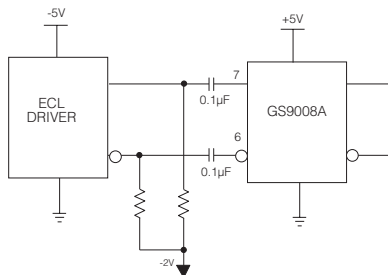


Figure 2 Output Circuit (Pins 1 and 2)



All resistors in ohms, all capacitors in microfarads unless otherwise stated.

Figure 3 Typical Application Circuit



All resistors in ohms, all capacitors in microfarads unless otherwise stated.

Figure 4 Split Supply Interfacing



**REVISION HISTORY**

VERSION	ECR	DATE	CHANGES AND/OR MODIFICATIONS
0	132427	October 2003	New Document
1	134030	June 2004	Added lead-free and green information.

**DOCUMENT IDENTIFICATION**

## PRELIMINARY DATA SHEET

The product is in a preproduction phase and specifications are subject to change without notice.

**CAUTION**

ELECTROSTATIC  
SENSITIVE DEVICES

DO NOT OPEN PACKAGES OR HANDLE  
EXCEPT AT A STATIC-FREE WORKSTATION

**GENNUM CORPORATION**

MAILING ADDRESS:  
P.O. Box 489, Stn. A, Burlington, Ontario, Canada L7R 3Y3  
Tel. +1 (905) 632-2996 Fax. +1 (905) 632-5946

SHIPPING ADDRESS:  
970 Fraser Drive, Burlington, Ontario, Canada L7L 5P5

GENNUM JAPAN CORPORATION  
Shinjuku Green Tower Building 27F, 6-14-1, Nishi Shinjuku,  
Shinjuku-ku, Tokyo, 160-0023 Japan  
Tel. +81 (03) 3349-5501, Fax. +81 (03) 3349-5505

GENNUM UK LIMITED  
25 Long Garden Walk, Farnham, Surrey, England GU9 7HX  
Tel. +44 (0)1252 747 000 Fax +44 (0)1252 726 523

Gennum Corporation assumes no responsibility for the use of any circuits described herein and makes no representations that they are free from patent infringement.

© Copyright October 2003 Gennum Corporation. All rights reserved. Printed in Canada.