



Chipsmall Limited consists of a professional team with an average of over 10 year of expertise in the distribution of electronic components. Based in Hongkong, we have already established firm and mutual-benefit business relationships with customers from,Europe,America and south Asia,supplying obsolete and hard-to-find components to meet their specific needs.

With the principle of "Quality Parts,Customers Priority,Honest Operation,and Considerate Service",our business mainly focus on the distribution of electronic components. Line cards we deal with include Microchip,ALPS,ROHM,Xilinx,Pulse,ON,Everlight and Freescale. Main products comprise IC,Modules,Potentiometer,IC Socket,Relay,Connector.Our parts cover such applications as commercial,industrial, and automotives areas.

We are looking forward to setting up business relationship with you and hope to provide you with the best service and solution. Let us make a better world for our industry!



## Contact us

Tel: +86-755-8981 8866 Fax: +86-755-8427 6832

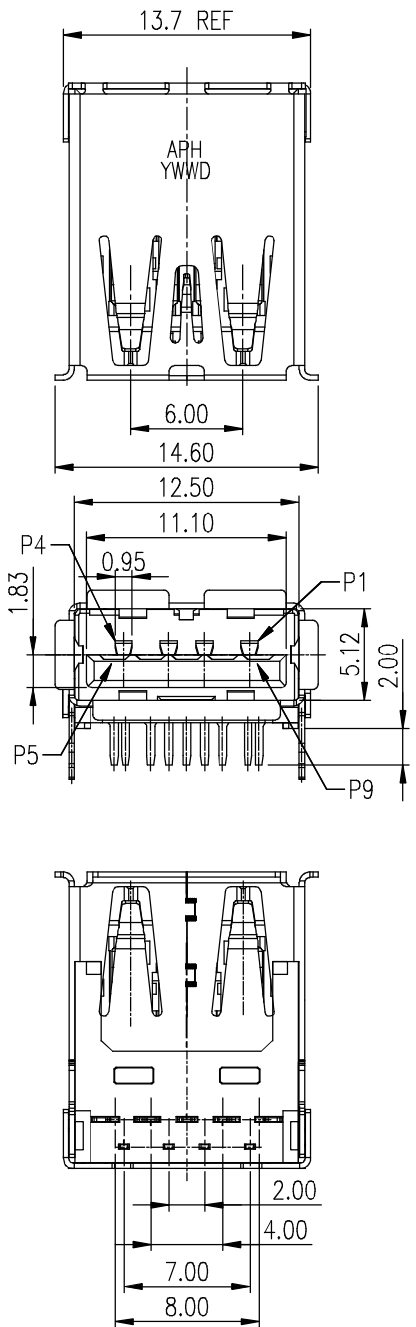
Email & Skype: info@chipsmall.com Web: www.chipsmall.com

Address: A1208, Overseas Decoration Building, #122 Zhenhua RD., Futian, Shenzhen, China



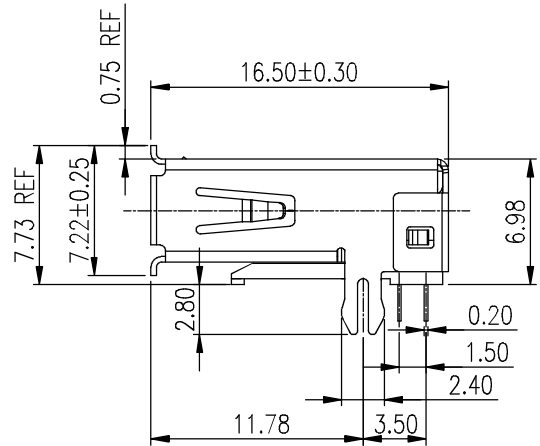
This document is the property of Amphenol Corporation and is delivered on the express condition that it is not to be disclosed, reproduced or used, in whole or in part, for manufacture or sale by anyone other than Amphenol Corporation without its prior consent, and that no right is granted to disclose or to use any information in this document.

The marking on this product doesn't contain environmental hazardous materials per Material Specification SS-00259 for Sony GP compliant or per directive 2011/65/EC for RoHS compliant.



PART NO. GSB311AX1EU

PLATING OF SOLDERING AREA  
 4: 100u" MATTE TIN  
 5: 2u" MIN. GOLD

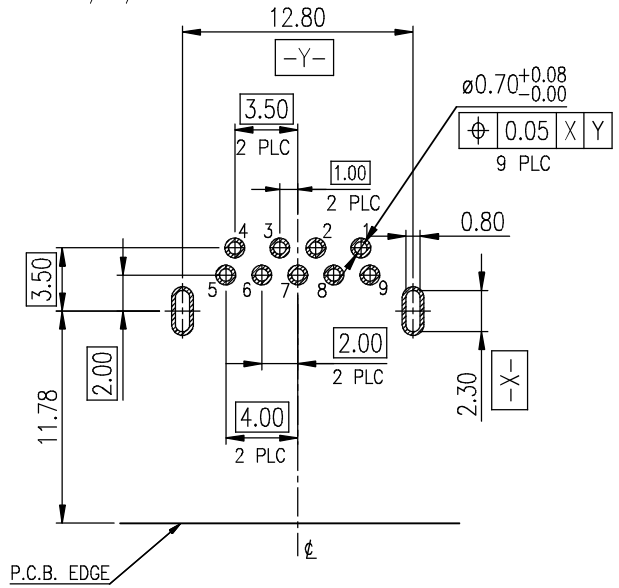


| PIN NUMBER | SIGNAL NAME |
|------------|-------------|
| 1          | VBUS        |
| 2          | D-          |
| 3          | D+          |
| 4          | GND         |
| 5          | StdA_SSRX-  |
| 6          | StdA_SSRX+  |
| 7          | GND_DRAIN   |
| 8          | StdA_SSTX-  |
| 9          | StdA_SSTX+  |

| REVISIONS |           |                                   |            |           |
|-----------|-----------|-----------------------------------|------------|-----------|
| SYM       | ECN No.   | DESCRIPTION                       | DATE       | APPROVED  |
| A         |           | RELEASE REVISION                  | 10/25/2010 | Arron Lin |
| B         | EN-11036  | ADDED DATE CODE                   | 03/18/2011 | Arron Lin |
| CX1       | EDSR#5583 | UPDATE DRAWING                    | 05/29/2015 | Arron Lin |
| CX2       |           | ADDED DIM                         | 06/01/2015 | Arron Lin |
| CX3       |           | UPDATE PACKAGE DRAWING            | 06/15/2015 | Arron Lin |
| CX4       |           | UPDATE DRAWING FOR CURRENT SAMPLE | 06/22/2015 | Arron Lin |

NOTES:

- MATERIAL:
  - HOUSING: HIGH TEMPERATURE THERMAL PLASTIC LCP , UL94V-0, COLOR: BLUE.
  - SPACER: HIGH TEMPERATURE THERMAL PLASTIC LCP, UL94V-0, COLOR: BLUE.
  - USB 3.0 TERMINAL: COPPER ALLOY, USB 2.0 TERMINAL: COPPER ALLOY.
  - FRONT SHELL: STAINLESS STEEL.
  - REAR SHELL: STAINLESS STEEL.
- FINISH:
  - TERMINAL:
    - CONTACT AREA: GOLD PLATING 2 μ" THICKNESS MIN. OVER PALLADIUM NICKEL PLATING 30μ" THICKNESS MIN;
    - SOLDERING AREA: MATTE TIN PLATING 100 μ" THICKNESS MIN. OR GOLD PLATING 2 μ" THICKNESS MIN.;
    - UNDER PLATING: NICKEL PLATING 80 μ" THICKNESS MIN. OVERALL.
    - FRONT SHELL: NICKEL PLATING 30 μ" THICKNESS MIN. OVERALL.
- THIS PRODUCT DOESN'T CONTAIN ENVIRONMENTAL HAZARDOUS PER DIRECTIVE 2011/65/EC FOR RoHS COMPLIANT.



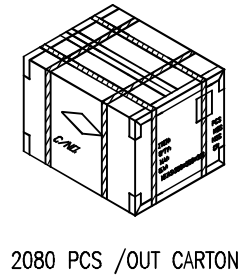
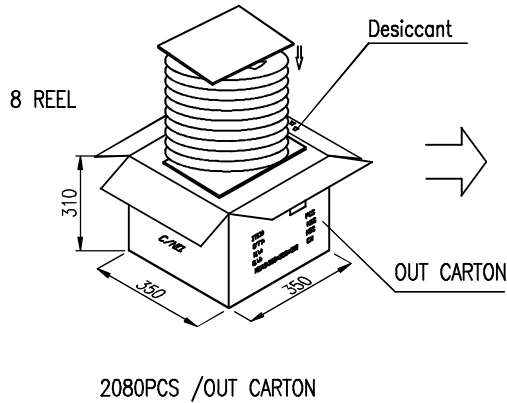
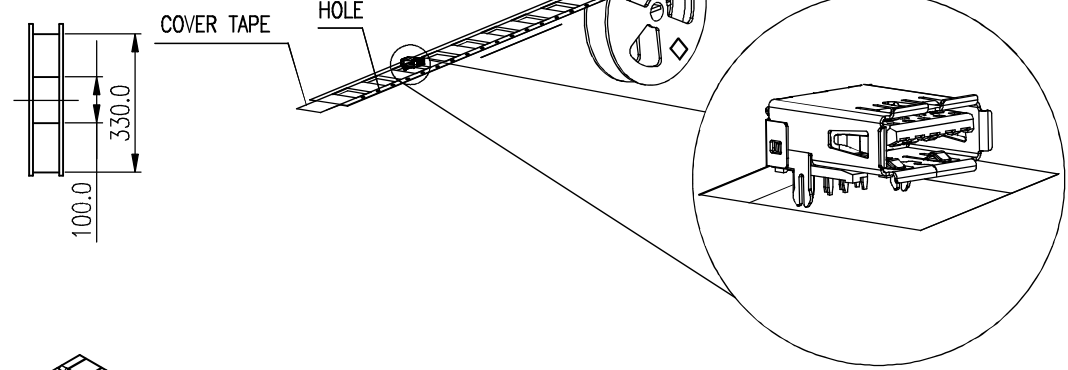
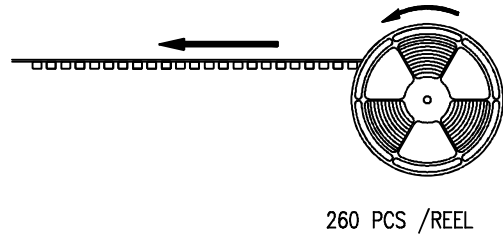
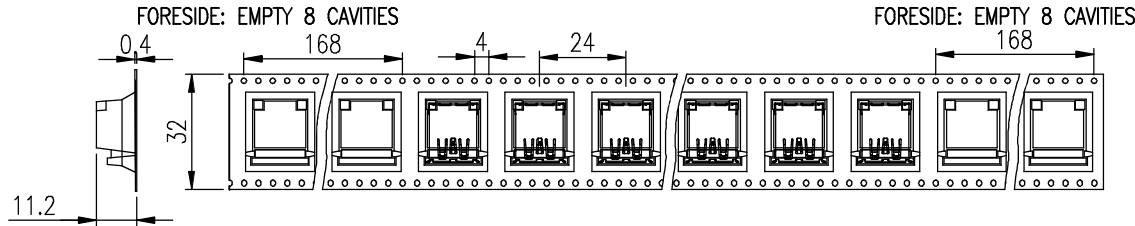
RECOMMEND P.C.B LAYOUT (THICKNESS=1.2mm)  
 (COMPONENT SIDE) TOLERANCE±0.03

| TOLERANCE                  | APPROVALS             | DATE                  | TITLE   |  | PART No.   |  |
|----------------------------|-----------------------|-----------------------|---|--|--|--|
| X. ±0.30                   | DRAWN<br>Debby Hung   | 06/22/2015            | USB 3.0 RECEPTACLE, REVERSE TYPE, CENTER HEIGHT= 4.13MM |  | Amphenol®<br>Amphenol Corporation<br>Amphenol Taiwan Corporation |  |
| X.X ±0.20                  |                       |                       |   |  |  |  |
| X.XX ±0.10                 | CHECKED<br>Roger Tsai | 06/22/2015            | UNIT mm SIZE A3   |  | PART No. GSB311AX1EU   |  |
| ANGULAR ±1°                | APPROVED<br>Arron Lin | 06/22/2015            |   |  | SCALE NA SHEET 1 OF 2  |  |
| UNLESS OTHERWISE SPECIFIED | DWG TYPE<br>CUST DWG  | PROJECT CODE<br>OTHER |   |  |  |  |

This document is the property of Amphenol Corporation and is delivered on the express condition that it is not to be disclosed, reproduced or used, in whole or in part, for manufacture or sale by anyone other than Amphenol Corporation without its prior consent, and that no right is granted to disclose or to use any information in this document.

The marking on this product doesn't contain environmental hazardous materials per Material Specification SS-00259 for Sony GP compliant or per directive 2011/65/EC for RoHS compliant.

| REVISIONS |           |                                   |            |           |
|-----------|-----------|-----------------------------------|------------|-----------|
| SYM       | ECN No.   | DESCRIPTION                       | DATE       | APPROVED  |
| A         |           | RELEASE REVISION                  | 10/25/2010 | Arron Lin |
| B         | EN-11036  | ADDED DATE CODE                   | 03/18/2011 | Arron Lin |
| CX1       | EDSR#5583 | UPDATE DRAWING                    | 05/29/2015 | Arron Lin |
| CX2       |           | ADDED DIM                         | 06/01/2015 | Arron Lin |
| CX3       |           | UPDATE PACKAGE DRAWING            | 06/15/2015 | Arron Lin |
| CX4       |           | UPDATE DRAWING FOR CURRENT SAMPLE | 06/22/2015 | Arron Lin |



|          |           |                |          |          |             |
|----------|-----------|----------------|----------|----------|-------------|
| 260      | 8         | 2080           | 5.1      | 8.7      | GSB311AX1EU |
| PCS/REEL | REELS/BOX | QUANTITY (PCS) | G/W (Kg) | N/W (Kg) | PART NUMBER |

| TOLERANCE                  | APPROVALS          | DATE               |
|----------------------------|--------------------|--------------------|
| X. ±0.30                   | DRAWN Debby Hung   | 06/22/2015         |
| X.X ±0.20                  | CHECKED Roger Tsai | 06/22/2015         |
| X.XXX ±0.10                | APPROVED Arron Lin | 06/22/2015         |
| ANGULAR ±1°                | DWG TYPE CUST DWG  | PROJECT CODE OTHER |
| UNLESS OTHERWISE SPECIFIED |                    |                    |

| TITLE   |              |                      |   |          |  |
|---|--------------|----------------------|---|----------|--|
| USB 3.0 RECEPTACLE, REVERSE TYPE, CENTER HEIGHT= 4.13MM |              |                      | <b>Amphenol®</b><br>Amphenol Corporation<br>Amphenol Taiwan Corporation |          |  |
| UNIT mm   | SIZE A3      | PART No. GSB311AX1EU |   |          |  |
| SCALE NA  | SHEET 2 OF 2 | DWG No. GSB311AX1EU  |   | REV. CX4 |  |