



Chipsmall Limited consists of a professional team with an average of over 10 year of expertise in the distribution of electronic components. Based in Hongkong, we have already established firm and mutual-benefit business relationships with customers from,Europe,America and south Asia,supplying obsolete and hard-to-find components to meet their specific needs.

With the principle of “Quality Parts,Customers Priority,Honest Operation,and Considerate Service”,our business mainly focus on the distribution of electronic components. Line cards we deal with include Microchip,ALPS,ROHM,Xilinx,Pulse,ON,Everlight and Freescale. Main products comprise IC,Modules,Potentiometer,IC Socket,Relay,Connector.Our parts cover such applications as commercial,industrial, and automotives areas.

We are looking forward to setting up business relationship with you and hope to provide you with the best service and solution. Let us make a better world for our industry!



Contact us

Tel: +86-755-8981 8866 Fax: +86-755-8427 6832

Email & Skype: info@chipsmall.com Web: www.chipsmall.com

Address: A1208, Overseas Decoration Building, #122 Zhenhua RD., Futian, Shenzhen, China

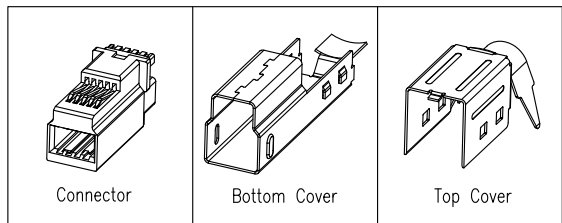


This document is the property of Amphenol Corporation and is delivered on the express condition that is not to be disclosed, reproduced or used, in whole or in part, for manufacture or sale by anyone other than Amphenol Corporation without its prior consent, and that no right is granted to disclose or to use any information in this document.

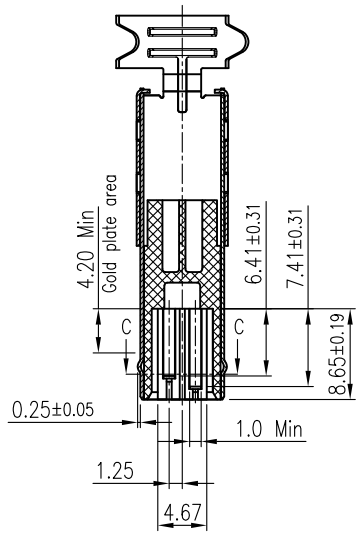
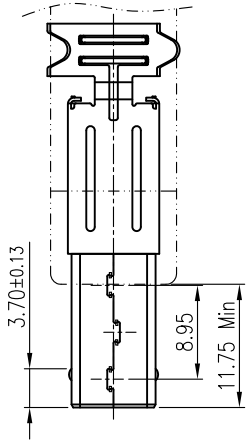
The marking on this product doesn't contain environmental hazardous materials per Material Specification 55-00259 for Sony GP compliant or per directive 2002/95/EC for RoHS compliant.

PRELIMINARY RELEASE
SUBJECT TO CHANGE

REVISIONS				
SYM	ECN No.	DESCRIPTION	DATE	APPROVED
AX1		NON-RELEASE REVISION	06/18/2010	Roger Tsai

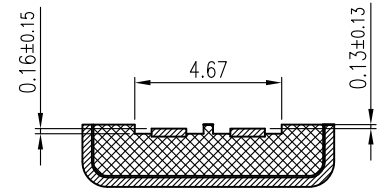
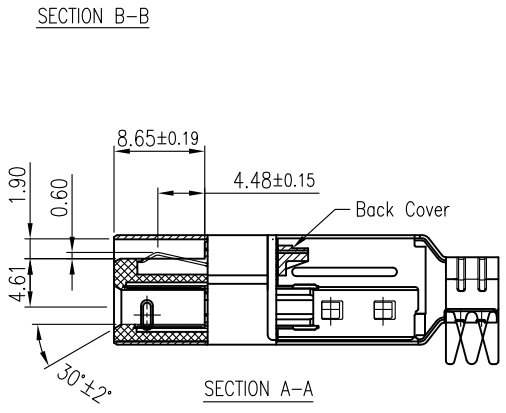
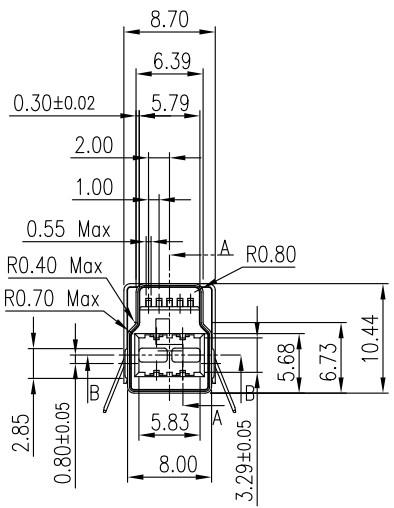
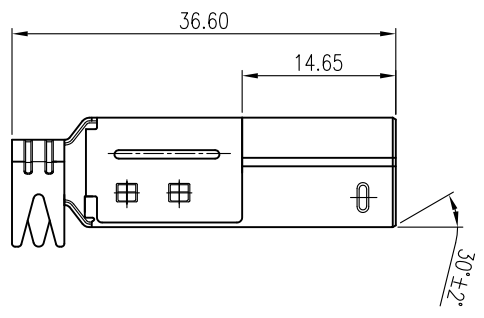


Pin Number	Signal Name
1	VBUS
2	D-
3	D+
4	GND
5	StdB_SSTX-
6	StdB_SSTX+
7	GND-DRAIN
8	StdB_SSRX-
9	StdB_SSRX+



- NOTES:**
- MATERIAL:**
HOUSING: HIGH TEMPERATURE THERMAL PLASTIC, PBT, UL94V-0, COLOR: OPTION.
TERMINAL A (5P): PHOSPHOR BRONZE.
TERMINAL B (4P): BRASS
SHELL: SPCC-CQ1.
 - FINISH:**
TERMINAL A & TERMINAL B:
CONTACT AREA: SELECTED GOLD PLATING;
SOLDERING AREA: TIN PLATING 100 μ" THICKNESS MIN.;
UNDER PLATING: NICKEL PLATING 50 μ" THICKNESS MIN. OVERALL.
SHELL:
NICKEL PLATING 50 μ" THICKNESS MIN. OVERALL.
 - PACKING IS PER AMTA PACKING SPECIFICATION PKS-0001.
 - THIS PRODUCT DOESN'T CONTAIN ENVIRONMENTAL HAZARDOUS PER DIRECTIVE 2002/95/EC FOR RoHS COMPLIANT.

PART NO. GSB3271XXWEU
CONTACT FINISH | COLOR
1: GOLD FLASH | 1: BLUE
2: 5 μ" GOLD | 3: BLACK
3: 30 μ" GOLD



SECTION C-C
SCALE 3:1



TOLERANCE		APPROVALS		DATE		TITLE		Amphenol®			
X.		DRAWN	Roger Tsai		06/18/2010	USB 3.0 B TYPE PLUG, CABLE MOUNT		Amphenol Corporation Amphenol Taiwan Corporation			
X.X	±0.30	CHECKED	Aqua Chou		06/18/2010						
X.XX	±0.20	APPROVED	Roger Tsai		06/18/2010						
X.XXX	±0.10							PART No.	GSB3271XXWEU		
ANGULAR	±1°	DWG TYPE	CUST DWG	PROJECT CODE	OTHER			DWG No.	GSB3271XXWEU		
UNLESS OTHERWISE SPECIFIED								UNIT	mm	SIZE	A3
								SCALE	NA	SHEET	1 OF 1
								REV.	AX1		