



Chipsmall Limited consists of a professional team with an average of over 10 year of expertise in the distribution of electronic components. Based in Hongkong, we have already established firm and mutual-benefit business relationships with customers from,Europe,America and south Asia,supplying obsolete and hard-to-find components to meet their specific needs.

With the principle of “Quality Parts,Customers Priority,Honest Operation,and Considerate Service”,our business mainly focus on the distribution of electronic components. Line cards we deal with include Microchip,ALPS,ROHM,Xilinx,Pulse,ON,Everlight and Freescale. Main products comprise IC,Modules,Potentiometer,IC Socket,Relay,Connector.Our parts cover such applications as commercial,industrial, and automotives areas.

We are looking forward to setting up business relationship with you and hope to provide you with the best service and solution. Let us make a better world for our industry!



## Contact us

Tel: +86-755-8981 8866 Fax: +86-755-8427 6832

Email & Skype: info@chipsmall.com Web: www.chipsmall.com

Address: A1208, Overseas Decoration Building, #122 Zhenhua RD., Futian, Shenzhen, China

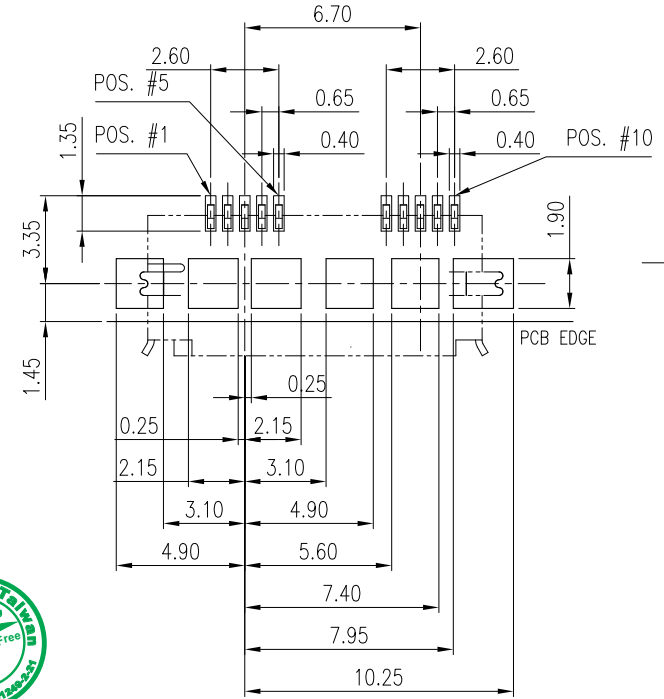
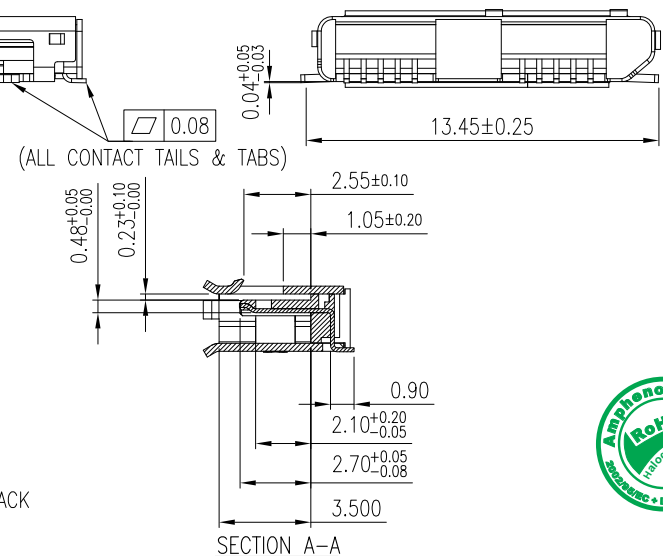
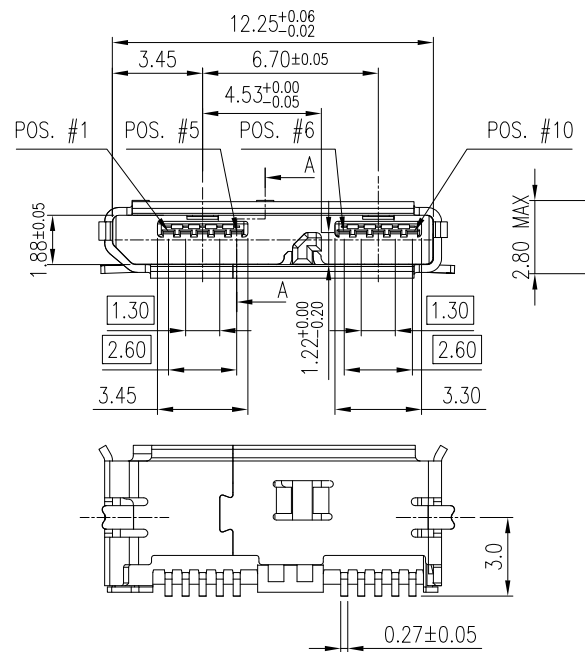
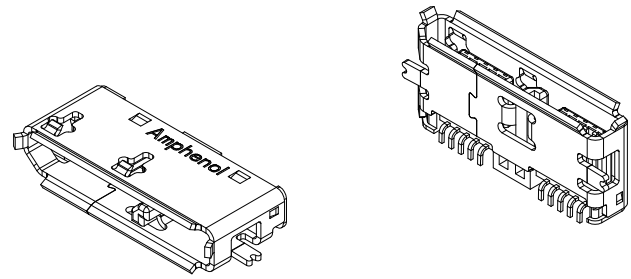
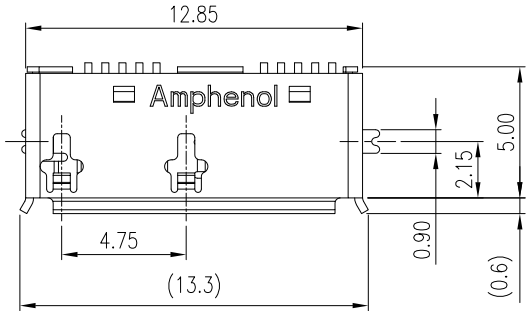


This document is the property of Amphenol Corporation and is delivered on the express condition that is not to be disclosed, reproduced or used, in whole or in part, for manufacture or sale by anyone other than Amphenol Corporation without its prior consent, and that no right is granted to disclose or to use any information in this document.

The marking on this product doesn't contain environmental hazardous material and must follow one or more specifications per Material Specification SS-00259 for Sony GP compliant or per directive 2002/95/EC for RoHS compliant or per IEC 61249-2-21 for Halogen Free compliant.

**PRELIMINARY RELEASE  
SUBJECT TO CHANGE**

REVISIONS				
SYM	ECN No.	DESCRIPTION	DATE	APPROVED
AX1		UNAPPROVED REVISION	10/09/2008	Hank Hsu
AX2		CHANGED SHELL'S THICKNESS	10/13/2008	Hank Hsu
AX3		MODIFIED DIMENSIONS	05/04/2009	Hank Hsu
AX4		MODIFIED DRAWING	05/08/2009	Hank Hsu
AX5		MODIFIED DRAWING	06/01/2009	Hank Hsu
AX6		MODIFIED P/N & CHANGED COLOR	06/15/2009	Hank Hsu
AX7		MODIFIED DIMENSION	07/22/2009	Hank Hsu
AX8		MODIFIED SHELL	10/16/2009	Hank Hsu
AX9		MODIFIED SHELL	11/09/2009	Hank Hsu



RECOMMENDED PCB LAYOUT- TOP VIEW  
(GENERAL TOLERANCE: ±0.05)

- NOTES:
- HOUSING: HIGH TEMP. THERMOPLASTIC, UL 94V-0, COLOR- BLACK
  - CONTACT: PHOSPHOR BRONZE, 0.15mm THICKNESS, 30μ" MIN. GOLD PLATED ON CONTACT AREA, GOLD FLASH PLATED ON SOLDERING TAIL, 80μ" MIN. NICKEL UNDER-PLATED OVERALL
  - METAL SHELL: STAINLESS, 0.3mm THICKNESS, GOLD FLASH PLATED ON THE SOLDERING TABS
  - THIS PRODUCT DOESN'T CONTAIN ENVIRONMENTAL HAZARDOUS MATERIALS PER DIRECTIVE 2002/95/EC FOR RoHS AND PER IEC 61249-2-21 FOR HALOGEN FREE COMPLIANT.

TOLERANCE	APPROVALS	DATE	TITLE	UNIT	SIZE	PART No.
X. ±0.30	DRAWN <b>Sondra Sang</b>	11/09/2009	USB 3.0 CONNECTOR MICRO_B, RECEPTACLE R/A SMT TYPE	mm	A3	GSB3 431 33 HR
X.X ±0.20	CHECKED <b>Chenny Yeh</b>	11/09/2009				
X.XX ±0.10	APPROVED <b>Hank Hsu</b>	11/09/2009				
X.XXX ±0.05						
ANGULAR ±1°	DWG TYPE <b>CUST DWG</b>	PROJECT CODE <b>OTHER</b>		SCALE <b>NA</b>	SHEET <b>1 OF 1</b>	DWG No. <b>GSB343133HR</b>
UNLESS OTHERWISE SPECIFIED						REV. <b>AX9</b>

**Amphenol**<sup>®</sup>  
Amphenol Corporation  
Amphenol Taiwan Corporation