



Chipsmall Limited consists of a professional team with an average of over 10 year of expertise in the distribution of electronic components. Based in Hongkong, we have already established firm and mutual-benefit business relationships with customers from,Europe,America and south Asia,supplying obsolete and hard-to-find components to meet their specific needs.

With the principle of “Quality Parts,Customers Priority,Honest Operation,and Considerate Service”,our business mainly focus on the distribution of electronic components. Line cards we deal with include Microchip,ALPS,ROHM,Xilinx,Pulse,ON,Everlight and Freescale. Main products comprise IC,Modules,Potentiometer,IC Socket,Relay,Connector.Our parts cover such applications as commercial,industrial, and automotives areas.

We are looking forward to setting up business relationship with you and hope to provide you with the best service and solution. Let us make a better world for our industry!



Contact us

Tel: +86-755-8981 8866 Fax: +86-755-8427 6832

Email & Skype: info@chipsmall.com Web: www.chipsmall.com

Address: A1208, Overseas Decoration Building, #122 Zhenhua RD., Futian, Shenzhen, China



This document is the property of Amphenol Corporation and is delivered on the express condition that it is not to be disclosed, reproduced or used, in whole or in part, for manufacture or sale by anyone other than Amphenol Corporation without its prior consent, and that no right is granted to disclose or to use any information in this document.

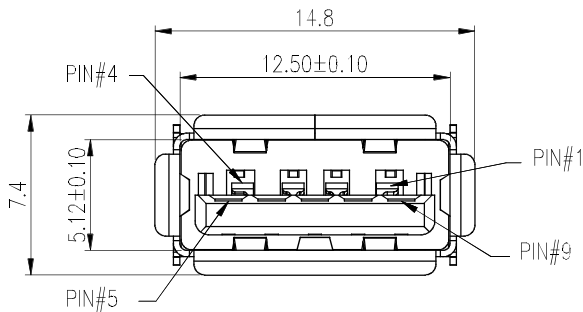
The marking on this product doesn't contain environmental hazardous materials per Material Specification SS-00259 for Sony GP compliant or per directive 2011/65/EU for RoHS compliant.



ORIGINAL



REVISIONS				
SYM	ECN No.	DESCRIPTION	DATE	APPROVED
A	NE-14111	APPROVED REVISION	06/16/2014	Arron Lin



PART NO. GSB4121 X X X CHR

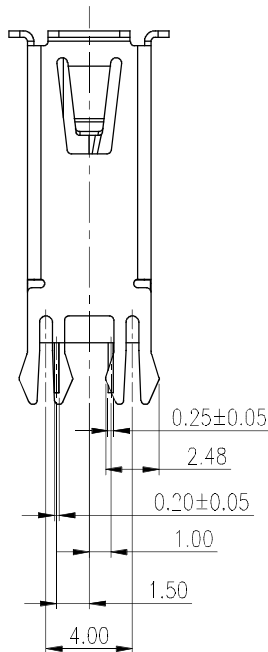
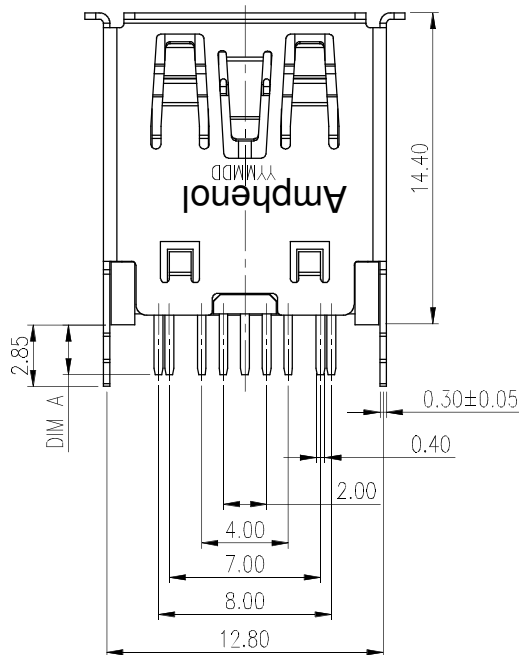
CONTACT FINISH
 1: GOLD FLASH
 2: 15 μ" GOLD
 3: 30 μ" GOLD

DIM A
 BLANK : 2.30mm
 1 : 3.0mm

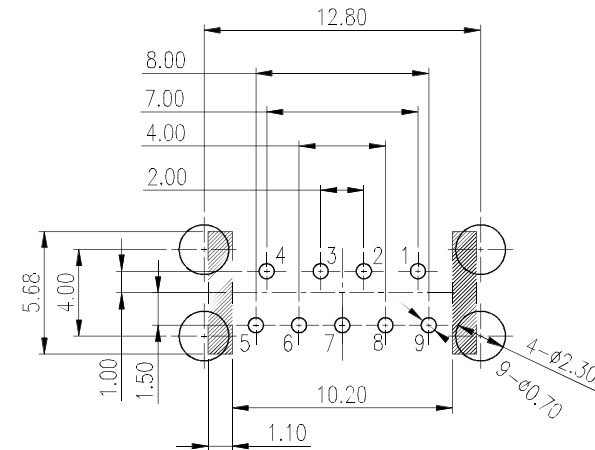
COLOR
 7: PA4T BLUE(300C)

NOTES:

- MATERIAL:
 HOUSING: THERMAL PLASTIC, OPTIONS, UL94V-0, COLOR: OPTION.
 TERMINAL(5P): BRASS.
 TERMINAL(4P): PHOSPHOR BRONZE.
 SHELL: Sk7.
- FINISH:
 TERMINAL:
 CONTACT AREA: SELECTED GOLD PLATING THICKNESS MIN.;
 SOLDERING AREA: TIN PLATING 100 μ" THICKNESS MIN.;
 UNDER PLATING: NICKEL PLATING 50 μ" THICKNESS MIN. OVERALL.
 SHELL:
 NICKEL PLATING 50 μ" THICKNESS MIN. OVERALL.
- PACKING IS PER AMTA PACKING SPECIFICATION PKS-0001.
- WAVE SOLDER CAPABLE TO 265°C
- THIS PRODUCT DOESN'T CONTAIN ENVIRONMENTAL HAZARDOUS PER DIRECTIVE 2011/65/EU FOR RoHS COMPLIANT.
- PRODUCT SPECIFICATION REFER TO : PS-7530



Pin Number	Signal Name
1	VBUS
2	D-
3	D+
4	GND
5	SSRX-
6	SSRX+
7	GND_DRAIN
8	SSTX-
9	SSTX+
Shell	Shield



RECOMMENDED P.C.B LAYOUT
 TOLERANCE: ±0.05(TOP VIEWS)
 KEEP OUT AREA

TOLERANCE	APPROVALS	DATE	TITLE		PART No.	
X. ±0.30	DRAWN Debby Hung	06/16/2014	GSB4 SERIES, USB 3.1 A TYPE, SINGLE PORT STRAIGHT, PCB MOUNT		Amphenol® Amphenol Corporation Amphenol Taiwan Corporation	
X.X ±0.20						
X.XX ±0.10	APPROVED Arron Lin	06/16/2014	UNIT mm	SIZE A3	PART No. GSB4121XXXCHR	
ANGULAR ±1°	DWG TYPE CUST DWG	PROJECT CODE OTHER	SCALE NA	SHEET 1 OF 2	DWG No. GSB4121XXXCHR	REV. A
UNLESS OTHERWISE SPECIFIED						

This document is the property of Amphenol Corporation and is delivered on the express condition that it is not to be disclosed, reproduced or used, in whole or in part, for manufacture or sale by anyone other than Amphenol Corporation without its prior consent, and that no right is granted to disclose or to use any information in this document.

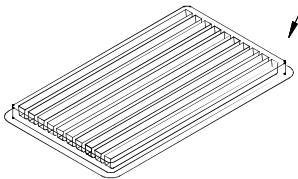
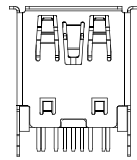
The marking on this product doesn't contain environmental hazardous materials per Material Specification SS-00259 for Sony GP compliant or per directive 2011/65/EU for RoHS compliant.



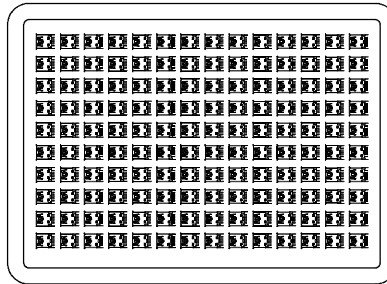
ORIGINAL



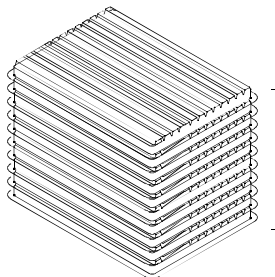
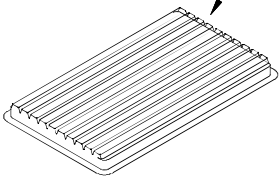
REVISIONS				
SYM	ECN No.	DESCRIPTION	DATE	APPROVED
A	NE-14111	APPROVED REVISION	06/16/2014	Arron Lin



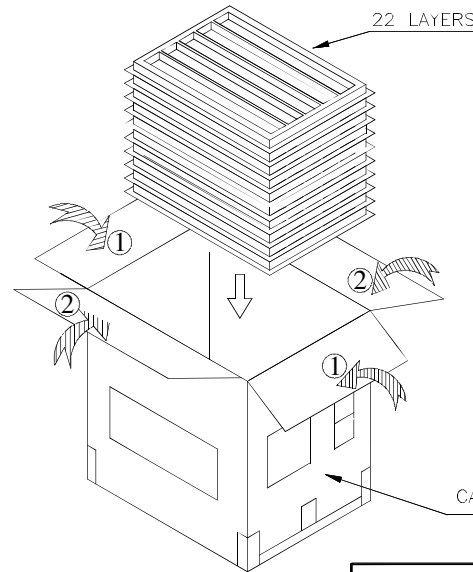
140 PCS/TRAY



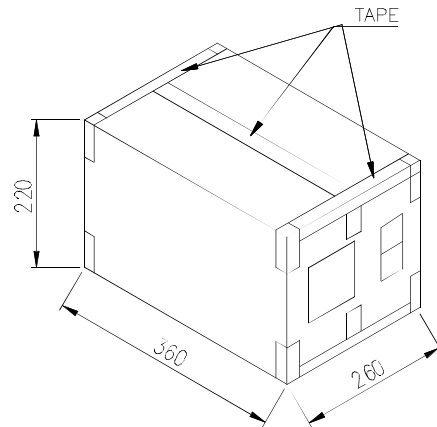
COVER TRAY



22 LAYERS



CARTON



PACKAGING BY TRAY	7.16	6.16	140	22	3080	GSB4121X XXCHR
	G/W KG	N/W KG	PCS/TRAY	TRAYS/BOX	QUANTITY (PCS)	PART NUMBER

TOLERANCE X. ±0.30 X.X ±0.20 X.XX ±0.10 ANGULAR ±1° UNLESS OTHERWISE SPECIFIED	APPROVALS	DATE	TITLE			Amphenol [®] Amphenol Corporation Amphenol Taiwan Corporation	
	DRAWN Debby Hung	06/16/2014	GSB4 SERIES, USB 3.1 A TYPE, SINGLE PORT STRAIGHT, PCB MOUNT				
	CHECKED Roger Tsai	06/16/2014	UNIT mm	SIZE A3	PART No. GSB4121XXXCHR		
	APPROVED Arron Lin	06/16/2014	SCALE NA	SHEET 2 OF 2	DWG No. GSB4121XXXCHR	REV. A	

