



Chipsmall Limited consists of a professional team with an average of over 10 year of expertise in the distribution of electronic components. Based in Hongkong, we have already established firm and mutual-benefit business relationships with customers from,Europe,America and south Asia,supplying obsolete and hard-to-find components to meet their specific needs.

With the principle of “Quality Parts,Customers Priority,Honest Operation,and Considerate Service”,our business mainly focus on the distribution of electronic components. Line cards we deal with include Microchip,ALPS,ROHM,Xilinx,Pulse,ON,Everlight and Freescale. Main products comprise IC,Modules,Potentiometer,IC Socket,Relay,Connector.Our parts cover such applications as commercial,industrial, and automotives areas.

We are looking forward to setting up business relationship with you and hope to provide you with the best service and solution. Let us make a better world for our industry!



## Contact us

Tel: +86-755-8981 8866 Fax: +86-755-8427 6832

Email & Skype: info@chipsmall.com Web: www.chipsmall.com

Address: A1208, Overseas Decoration Building, #122 Zhenhua RD., Futian, Shenzhen, China



This document is the property of Amphenol Corporation and is delivered on the express condition that it is not to be disclosed, reproduced or used, in whole or in part, for manufacture or sale by anyone other than Amphenol Corporation without its prior consent, and that no right is granted to disclose or to use any information in this document.

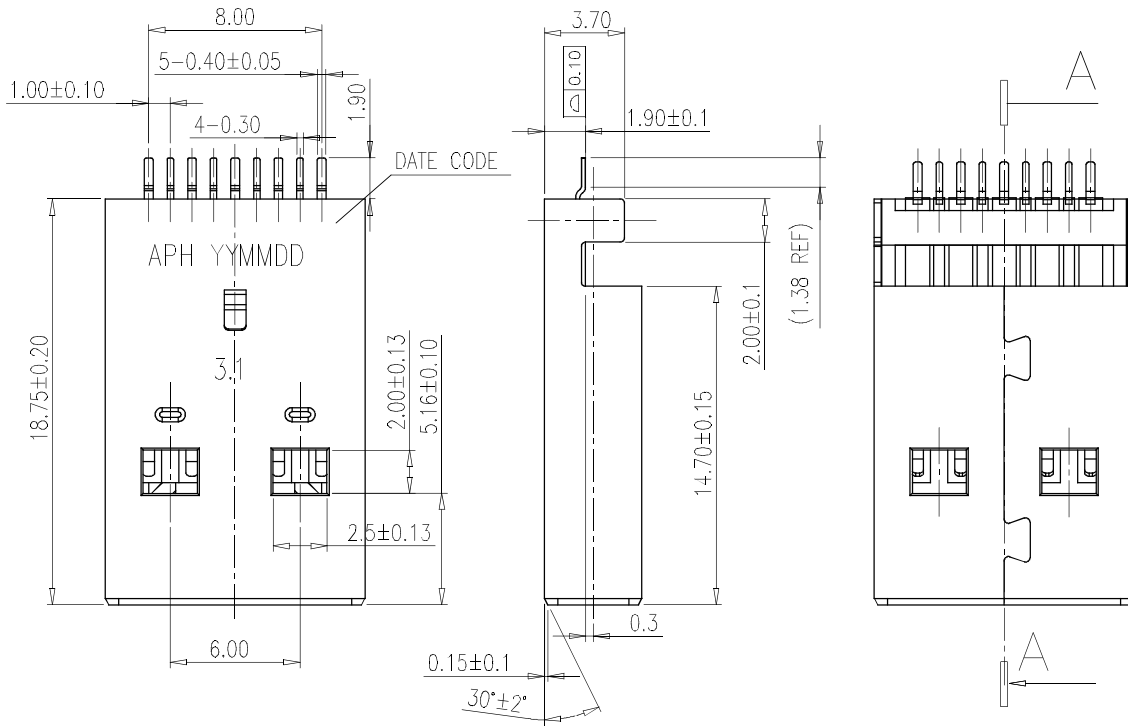
The marking on this product doesn't contain environmental hazardous materials per Material Specification SS-00259 for Sony GP compliant or per directive 2011/65/EU for RoHS compliant.



ORIGINAL

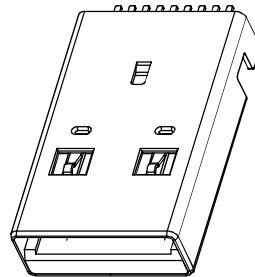
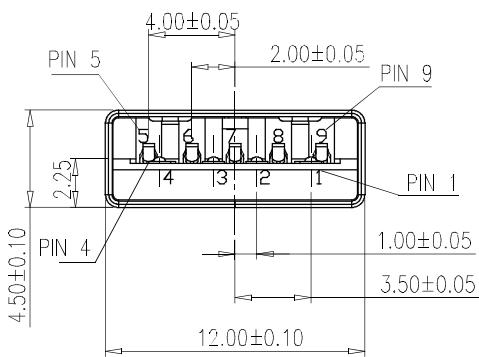


REVISIONS				
S/M	ECN No.	DESCRIPTION	DATE	APPROVED
A	NE-15011	NON-RELEASE REVISION	01/23/2015	Arron Lin

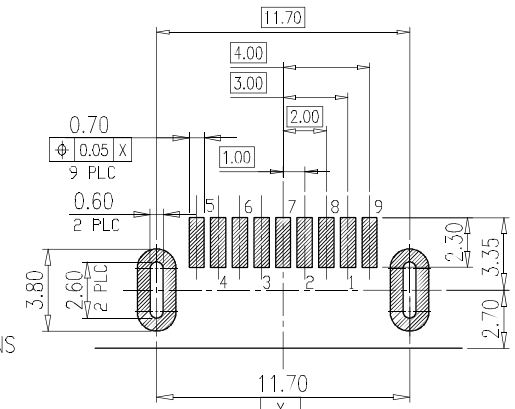


NOTES:

- MATERIAL:  
HOUSING: HIGH TEMPERATURE THERMAL PLASTIC LCP UL94-V0, COLOR: BLUE 300C.  
TERMINAL: COPPER ALLOY.  
SHIELD: SPCC.
- FINISH:  
TERMINAL:  
CONTACT AREA: SELECTIVE PLATING;  
SOLDERING AREA: MATTE TIN PLATING 100 μ" THICKNESS MIN.;  
UNDER PLATING: NICKEL PLATING 50 μ" THICKNESS MIN. OVERALL.  
SHIELD:  
NICKEL PLATING 50 μ" THICKNESS MIN. OVERALL.
- PACKING IS PER AMTA PACKING SPECIFICATION PKS-0001.
- THIS PRODUCT DOESN'T CONTAIN ENVIRONMENTAL HAZARDOUS PER DIRECTIVE 2011/65/EU FOR RoHS COMPLIANT.
- PRODUCT SPECIFICATION REFER TO : PS-7530.



P/N : GSB4164 X 5 X HR  
CONTACT FINISH 4: 30u" GOLD    PACKING OPTIONS C: T&R 3: TRAY



RECOMMEND P.C.B LAYOUT (THICKNESS=1.2mm)  
(COMPONENT SIDE) TOLERANCE

TOLERANCE	APPROVALS	DATE	TITLE		Amphenol® Amphenol Corporation Amphenol Taiwan Corporation			
X.                    ±0.30 X.X                  ±0.20 X.XX                ±0.10 X.XXX              ±0.10	DRAWN Debby Hung	01/23/2015	USB 3.1 A TYPE PLUG, SMT 0.3mm OFFSET CENTER LINE.		PART No.    GSB4164X5XHR		REV.    A	
ANGULAR    ±1°	CHECKED Roger Tsai	01/23/2015			UNIT    mm	SIZE    A3	DVG No.    GSB4164X5XHR	
UNLESS OTHERWISE SPECIFIED	APPROVED Arron Lin	01/23/2015			SCALE    NA	SHEET    1 OF 3	DVG No.    GSB4164X5XHR	
	DWG TYPE CUST DWG	PROJECT CODE OTHER						

This document is the property of Amphenol Corporation and is delivered on the express condition that it is not to be disclosed, reproduced or used, in whole or in part, for manufacture or sale by anyone other than Amphenol Corporation without its prior consent, and that no right is granted to disclose or to use any information in this document.

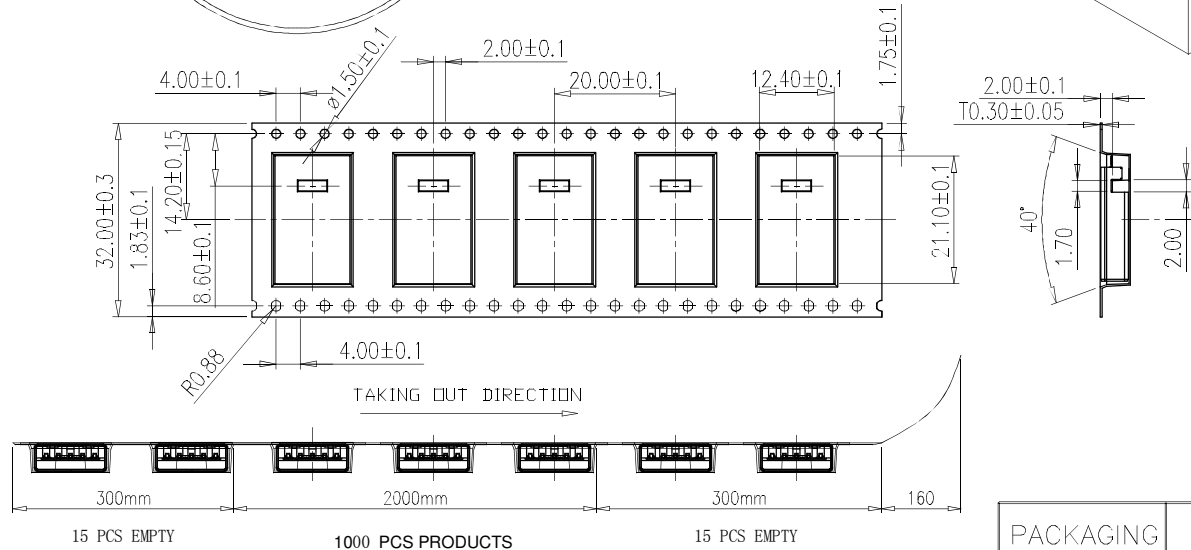
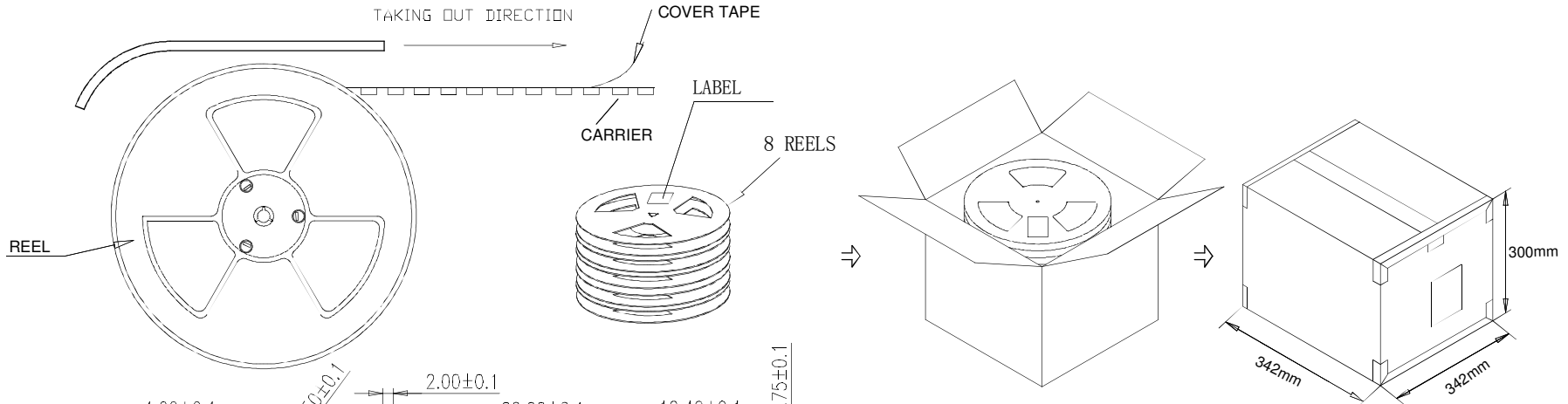
The marking on this product doesn't contain environmental hazardous materials per Material Specification SS-00259 for Sony GP compliant or per directive 2011/65/EU for RoHS compliant.



ORIGINAL

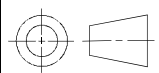


REVISIONS				
SYM	ECN No.	DESCRIPTION	DATE	APPROVED
A	NE-15011	NON-RELEASE REVISION	01/23/2015	Arron Lin



PACKAGING BY T&R	16.5	16	1000	8	8000	GSB4164X5CHR
	G/W KG	N/W KG	PCS/ REEL	REELS/ BOX	QUANTITY (PCS)	PART NUMBER

TOLERANCE	APPROVALS	DATE	TITLE		
X. X.X ±0.30 X.XX ±0.20 X.XXX ±0.10	DRAWN Debby Hung	01/23/2015	USB 3.0 A TYPE PLUG, SMT 0.3mm OFFSET CENTER LINE.		
	CHECKED Roger Tsai	01/23/2015			
ANGULAR ±1°	APPROVED Arron Lin	01/23/2015	UNIT mm	SIZE A3	PART No. GSB4164X5CHR
UNLESS OTHERWISE SPECIFIED	DWG TYPE CUST DWG	PROJECT CODE OTHER	SCALE NA	SHEET 2 OF 3	DWG No. GSB4164X5XHR REV. A



This document is the property of Amphenol Corporation and is delivered on the express condition that it is not to be disclosed, reproduced or used, in whole or in part, for manufacture or sale by anyone other than Amphenol Corporation without its prior consent, and that no right is granted to disclose or to use any information in this document.

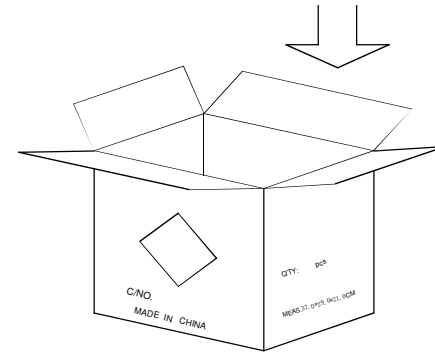
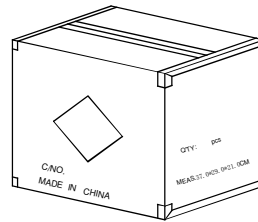
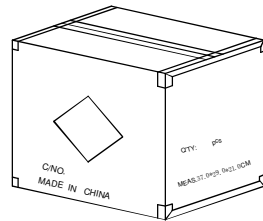
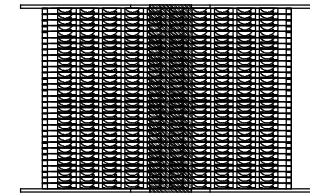
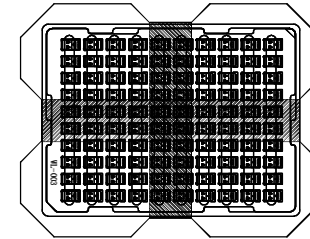
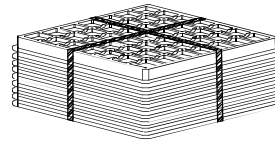
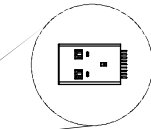
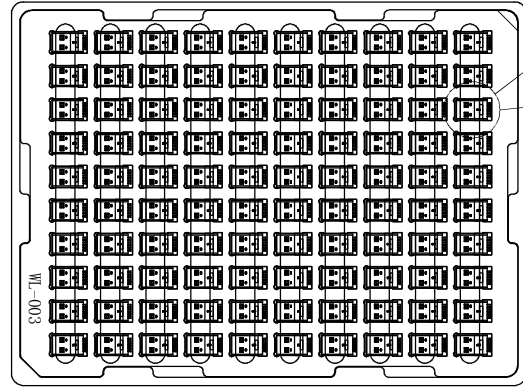
The marking on this product doesn't contain environmental hazardous materials per Material Specification SS-00259 for Sony GP compliant or per directive 2011/65/EU for RoHS compliant.



ORIGINAL



REVISIONS				
SYM	ECN No.	DESCRIPTION	DATE	APPROVED
A	NE-15011	NON-RELEASE REVISION	01/23/2015	Arron Lin



NOTES:  
1. CARTON SIZE: 370 X 290 X 210 mm

PACKAGING BY TRAY	10	7.2	100	30	3000	GSB4164X53HR
	G/W KG	N/W KG	PCS/ TRAY	TRAYS/ BOX	QUANTITY (PCS)	PART NUMBER

TOLERANCE	APPROVALS	DATE	TITLE		PART No.	
X. X.X ±0.30 X.XX ±0.20 X.XXX ±0.10	DRAWN Debby Hung	01/23/2015	USB 3.1 A TYPE PLUG, SMT 0.3mm OFFSET CENTER LINE.		<b>Amphenol</b> ® Amphenol Corporation Amphenol Taiwan Corporation	
	CHECKED Roger Tsai	01/23/2015				
	APPROVED Arron Lin	01/23/2015				
ANGULAR ±1*	DWG TYPE CUST DWG	PROJECT CODE OTHER	UNIT mm	SIZE A3	PART No. GSB4164X53HR	
UNLESS OTHERWISE SPECIFIED			SCALE NA	SHEET 3 OF 3	DWG No. GSB4164X53HR	REV. A

