



Chipsmall Limited consists of a professional team with an average of over 10 year of expertise in the distribution of electronic components. Based in Hongkong, we have already established firm and mutual-benefit business relationships with customers from,Europe,America and south Asia,supplying obsolete and hard-to-find components to meet their specific needs.

With the principle of “Quality Parts,Customers Priority,Honest Operation,and Considerate Service”,our business mainly focus on the distribution of electronic components. Line cards we deal with include Microchip,ALPS,ROHM,Xilinx,Pulse,ON,Everlight and Freescale. Main products comprise IC,Modules,Potentiometer,IC Socket,Relay,Connector.Our parts cover such applications as commercial,industrial, and automotives areas.

We are looking forward to setting up business relationship with you and hope to provide you with the best service and solution. Let us make a better world for our industry!



Contact us

Tel: +86-755-8981 8866 Fax: +86-755-8427 6832

Email & Skype: info@chipsmall.com Web: www.chipsmall.com

Address: A1208, Overseas Decoration Building, #122 Zhenhua RD., Futian, Shenzhen, China



This document is the property of Amphenol Corporation and is delivered on the express condition that it is not to be disclosed, reproduced or used, in whole or in part, for manufacture or sale by anyone other than Amphenol Corporation without its prior consent, and that no right is granted to disclose or to use any information in this document.

The marking on this product doesn't contain environmental hazardous materials per Material Specification SS-00259 for Sony GP compliant or per directive 2011/65/EU for RoHS compliant.



ORIGINAL

REVISIONS				
SYM	ECN No.	DESCRIPTION	DATE	APPROVED
A	NE-14112	RELEASE REVISION	08/01/2014	Arron Lin



PART NO. GSB4211XXXWEU

PLATING OPTIONS
3: 30u" GOLD

TAIL LENGTH
1: 2.80 MM
2: 3.30 MM

COLOR
1: BLUE
3: BLACK

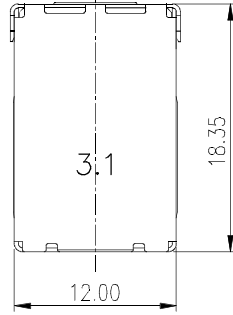
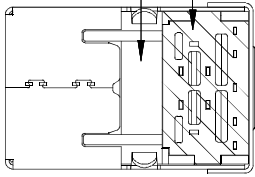
PART NO.	Dim A
GSB4211XX1WEU	2.80 MM
GSB4211XX2WEU	3.30 MM

DATE	CODE	DESCRIPTION
60	11	5
		Friday
		11 Weeks
		Year
		Reserve

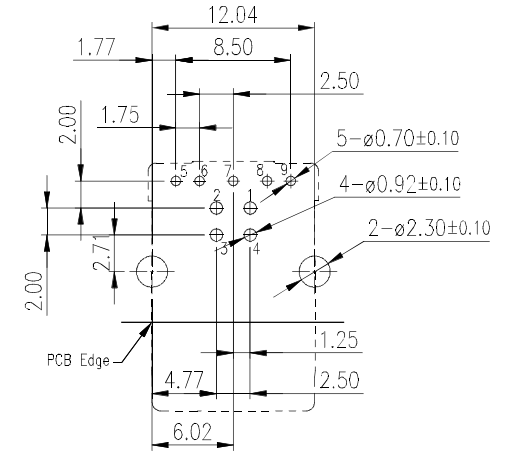
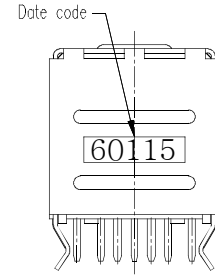
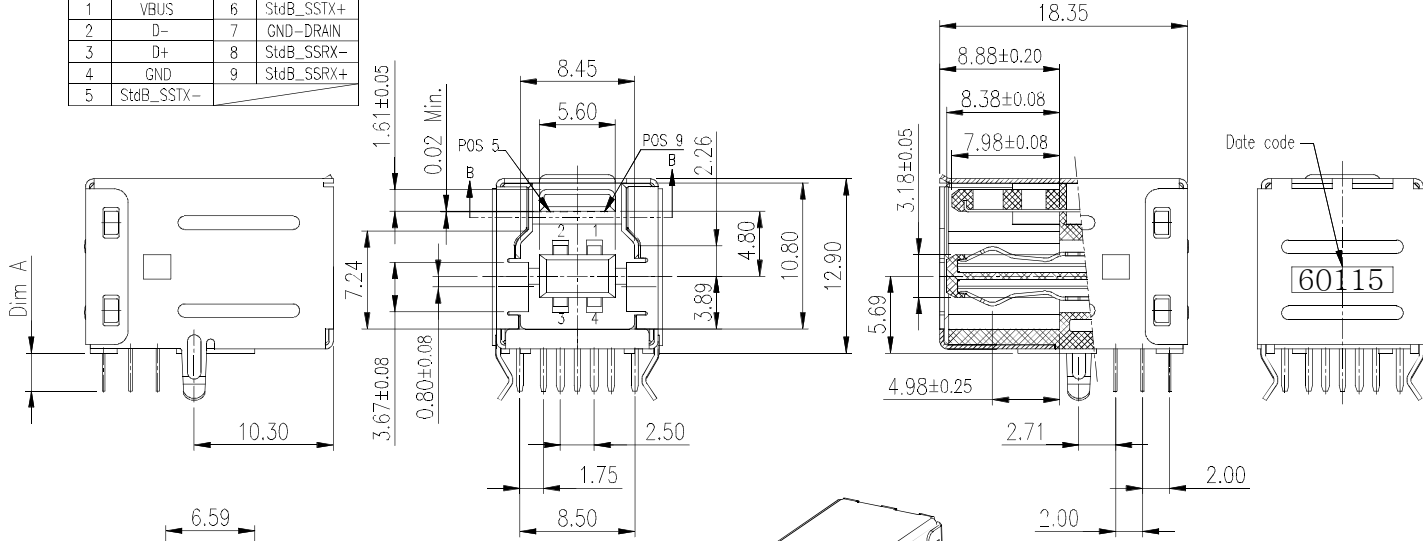
NOTES:

- MATERIAL:
HOUSING: HIGH TEMPERATURE THERMAL PLASTIC, PBT, UL94V-0.
BAFFLE: HIGH TEMPERATURE THERMAL PLASTIC, NYLON66, UL94V-0.
TERMINAL A: COPPER ALLOY.
TERMINAL B: COPPER ALLOY.
SHELL: COPPER ALLOY.
- FINISH:
TERMINAL A & TERMINAL B:
CONTACT AREA: SELECTIVE GOLD PLATING.;
SOLDERING AREA: MATTE TIN PLATING 100 μ" THICKNESS MIN.;
UNDER PLATING: NICKEL PLATING 50 μ" THICKNESS MIN. OVERALL.
SHELL:
NICKEL PLATING 50 μ" THICKNESS MIN. OVERALL.
- THIS PRODUCT IS FOR WAVE SOLDERING ONLY.
- THIS PRODUCT DOESN'T CONTAIN ENVIRONMENTAL HAZARDOUS PER DIRECTIVE 2011/65/EU FOR RoHS COMPLIANT.
- PRODUCT SPECIFICATION REFER TO : PS-7530

HOUSING: PBT
BAFFLE: NYLON66

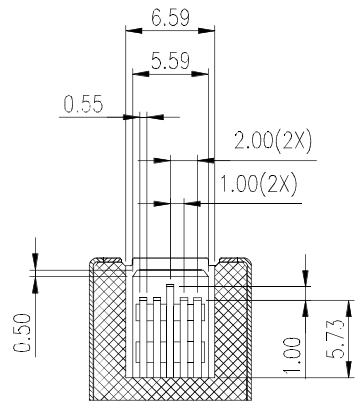
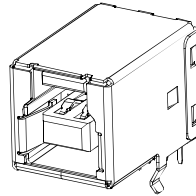


Pin Number	Signal Name	Pin Number	Signal Name
1	VBUS	6	StdB_SSTX+
2	D-	7	GND-DRAIN
3	D+	8	StdB_SSRX-
4	GND	9	StdB_SSRX+
5	StdB_SSTX-		

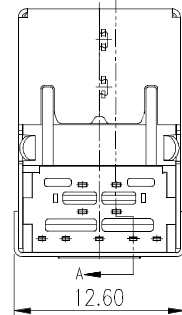


PCB Layout TOP View (T=1.60mm)

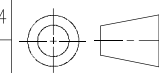
SECTION: A-A



SECTION: B-B



TOLERANCE	APPROVALS	DATE	TITLE		PART No.	
X. X.X X.XX X.XXX	DRAWN Debby Hung	08/01/2014	USB 3.1 B TYPE RECEPTACLE RIGHT ANGLE, DIP TYPE		GSB4211XXXWEU	
	CHECKED Roger Tsai	08/01/2014				
	APPROVED Arron Lin	08/01/2014				
ANGULAR ±1°	DWG TYPE CUST DWG	PROJECT CODE OTHER	UNIT mm	SIZE A3	DVG No. GSB4211XXXWEU	
UNLESS OTHERWISE SPECIFIED			SCALE NA	SHEET 1 OF 2	REV. A	



This document is the property of Amphenol Corporation and is delivered on the express condition that it not be disclosed, reproduced or used, in whole or in part, for manufacture or sale by anyone other than Amphenol Corporation without its prior consent, and that no right is granted to disclose or to use any information in this document.

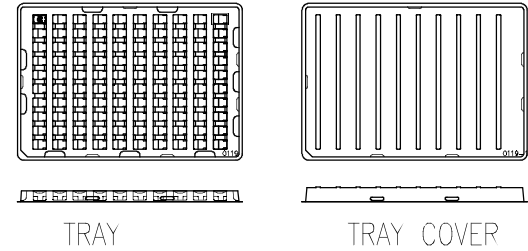
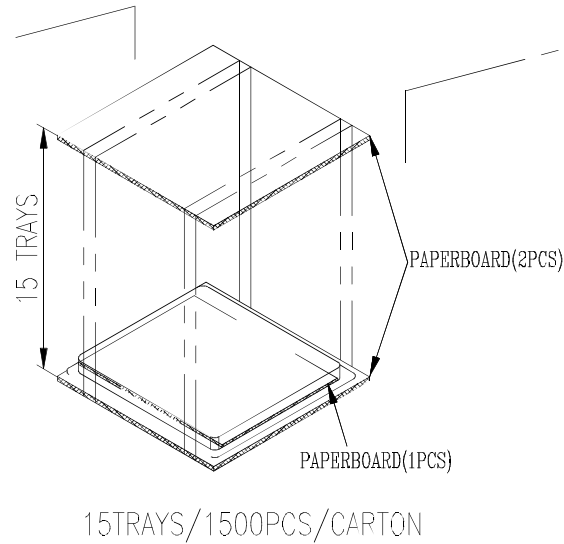
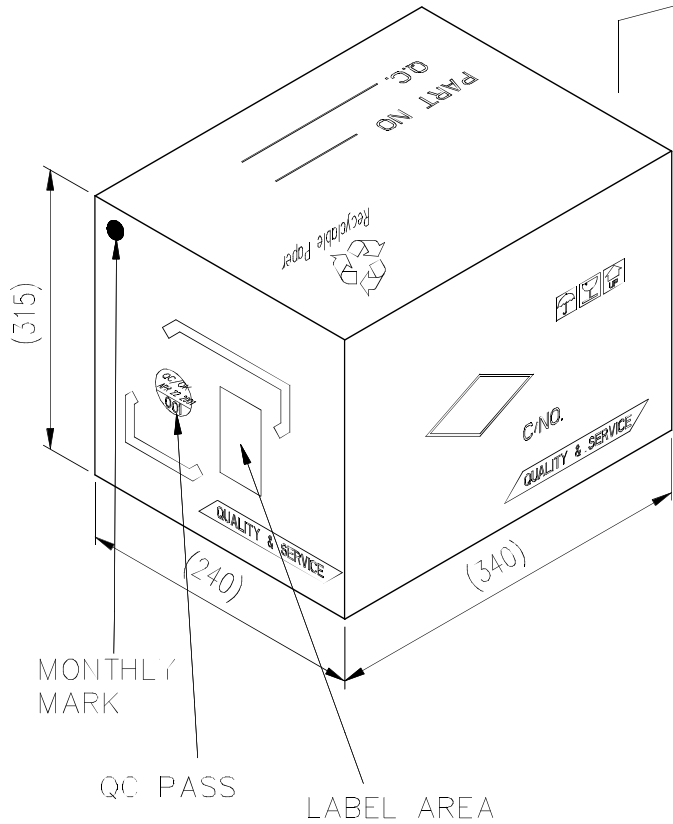
The marking on this product doesn't contain environmental hazardous materials per Material Specification SS-00259 for Sony GP compliant or per directive 2011/65/EU for PbHS compliant.



ORIGINAL



REVISIONS				
SYM	ECN No.	DESCRIPTION	DATE	APPROVED
A	NE-14112	RELEASE REVISION	08/01/2014	Arron Lin



100PCS/TRAY

100	15	1500	8.3	7.0	GSB4211XXWU
PCS/ TRAY	TRAYS/ BOX	QUANTITY (PCS)	G/W (Kg)	N/W (Kg)	PART NUMBER

TOLERANCE	APPROVALS	DATE	TITLE		PART No.	
X. X.X ±0.30 X.XX ±0.20 X.XXX ±0.10	DRAWN Debby Hung	08/01/2014	USB 3.1 B TYPE RECEPTACLE RIGHT ANGLE, DIP TYPE		Amphenol® Amphenol Corporation Amphenol Taiwan Corporation	
	CHECKED Roger Tsai	08/01/2014				
	APPROVED Arron Lin	08/01/2014				
ANGULAR ±1°	DWG TYPE CUST DWG	PROJECT CODE OTHER	UNIT mm	SIZE A3	PART No. GSB4211XXXWU	
UNLESS OTHERWISE SPECIFIED			SCALE NA	SHEET 2 OF 2	DWG No. GSB4211XXXWU	REV. A

