



Chipsmall Limited consists of a professional team with an average of over 10 year of expertise in the distribution of electronic components. Based in Hongkong, we have already established firm and mutual-benefit business relationships with customers from,Europe,America and south Asia,supplying obsolete and hard-to-find components to meet their specific needs.

With the principle of "Quality Parts,Customers Priority,Honest Operation,and Considerate Service",our business mainly focus on the distribution of electronic components. Line cards we deal with include Microchip,ALPS,ROHM,Xilinx,Pulse,ON,Everlight and Freescale. Main products comprise IC,Modules,Potentiometer,IC Socket,Relay,Connector.Our parts cover such applications as commercial,industrial, and automotives areas.

We are looking forward to setting up business relationship with you and hope to provide you with the best service and solution. Let us make a better world for our industry!



Contact us

Tel: +86-755-8981 8866 Fax: +86-755-8427 6832

Email & Skype: info@chipsmall.com Web: www.chipsmall.com

Address: A1208, Overseas Decoration Building, #122 Zhenhua RD., Futian, Shenzhen, China



This document is the property of Amphenol Corporation and is delivered on the express condition that it not be disclosed, reproduced or used, in whole or in part, for manufacture or sale by anyone other than Amphenol Corporation without its prior consent, and that no right is granted to disclose or to use any information in this document.

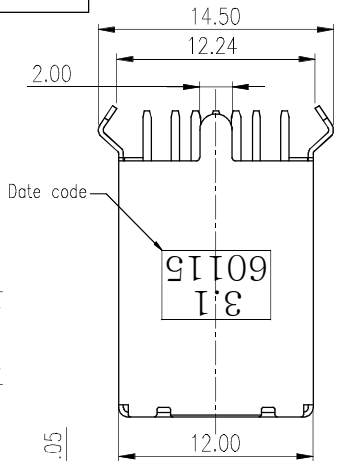
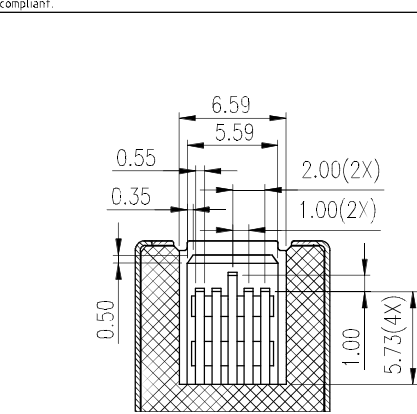
The marking on this product doesn't contain environmental hazardous materials per Material Specification SS-00259 for Sony GP compliant or per directive 2011/65/EU for RoHS compliant.

ORIGINAL

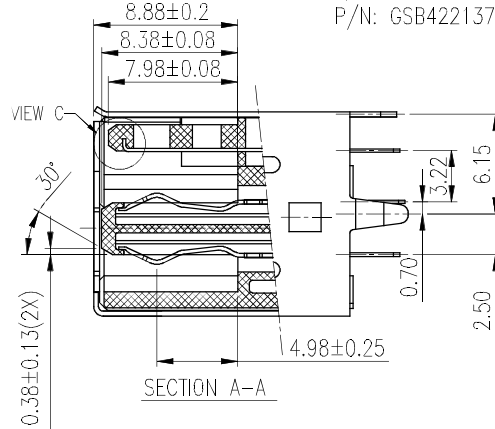
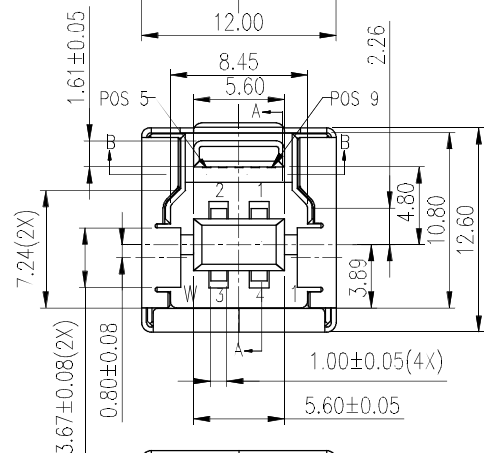
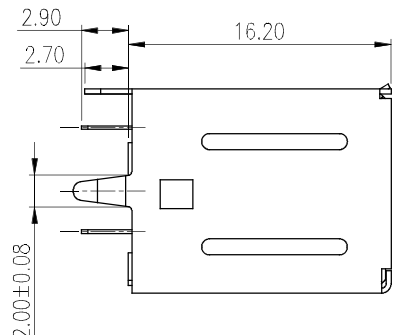
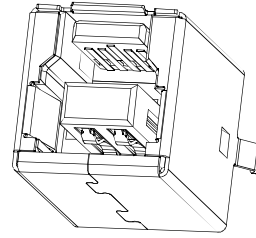
REVISIONS				
SYM	ECN No.	DESCRIPTION	DATE	APPROVED
A	NE-14181	RELEASE REVISION	10/15/2014	Arron Lin

NOTES:

- MATERIAL:
HOUSING: PLASTIC, PBT, UL94V-0, COLOR: BLUE(300C).
TERMINAL(5P): BRASS.
TERMINAL(4P): PHOSPHOR BRONZE.
SHELL: BRASS.
- FINISH:
TERMINAL:
CONTACT AREA: SELECTIVE GOLD PLATING ;
SOLDERING AREA: TIN PLATING 100 μ" THICKNESS MIN.;
UNDER PLATING: NICKEL PLATING 50 μ" THICKNESS MIN. OVERALL
SHELL:
NICKEL PLATING 50 μ" THICKNESS MIN. OVERALL
- THIS PRODUCT DOESN'T CONTAIN ENVIRONMENTAL HAZARDOUS PER DIRECTIVE 2011/65/EU FOR RoHS COMPLIANT.
- FOR WAVE SOLDERING PROCESS ONLY. TEMPERATURE NOT OVER 245°C.
- P/N: GSB422117EU/ GSB422127EU PRODUCT SPECIFICATION REFER TO: PS-7539
P/N: GSB422137EU/ GSB4221A7EU PRODUCT SPECIFICATION REFER TO: PS-7530



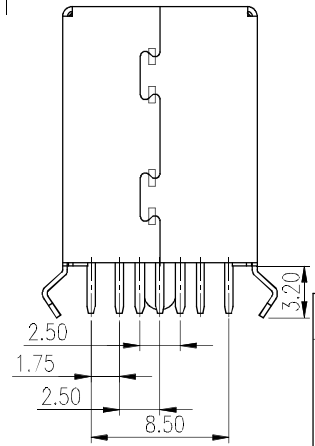
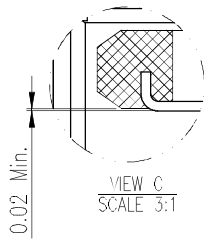
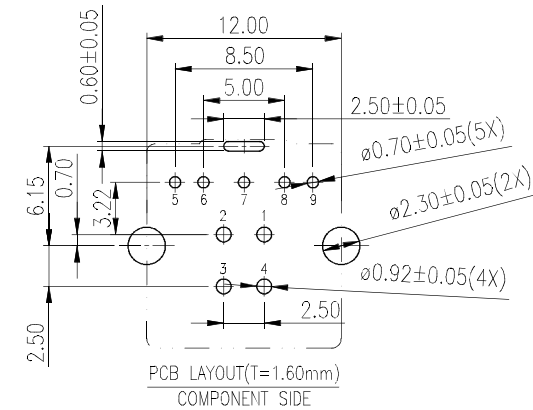
DATE CODE DESCRIPTION
6 0 1 1 5
Friday
11 Weeks
Year
Reserve



P/N : GSB4221 X 7EU

Contact Finish

- 1: Flash gold
- 2: 15u"gold
- 3: 30u"gold
- A: 30u" gold (soldering area G/F plating)



TOLERANCE	APPROVALS	DATE	TITLE		PART No.	
X. ±0.30	DRAWN Debby Hung	10/15/2014	USB 3.1 B TYPE RECEPTACLE VERTICAL TYPE		Amphenol® Amphenol Corporation Amphenol Taiwan Corporation	
X.X ±0.20						
X.XX ±0.20	CHECKED Roger Tsai	10/15/2014	UNIT mm SIZE A3		PART No. GSB4221X7EU	
X.XXX ±0.10	APPROVED Arron Lin	10/15/2014			SCALE NA SHEET 1 OF 2	
ANGULAR ±1°	DWG TYPE CUST DWG	PROJECT CODE OTHER	UNLESS OTHERWISE SPECIFIED			

This document is the property of Amphenol Corporation and is delivered on the express condition that it is not to be disclosed, reproduced or used, in whole or in part, for manufacture or sale by anyone other than Amphenol Corporation without its prior consent, and that no right is granted to disclose or to use any information in this document.

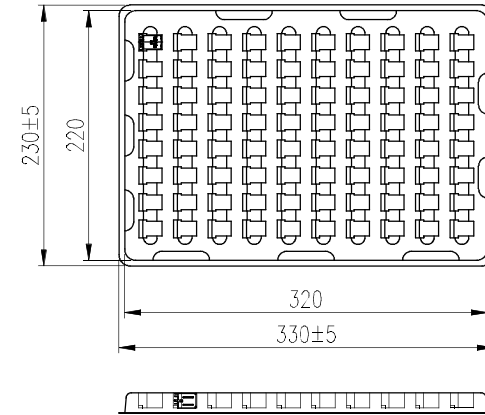
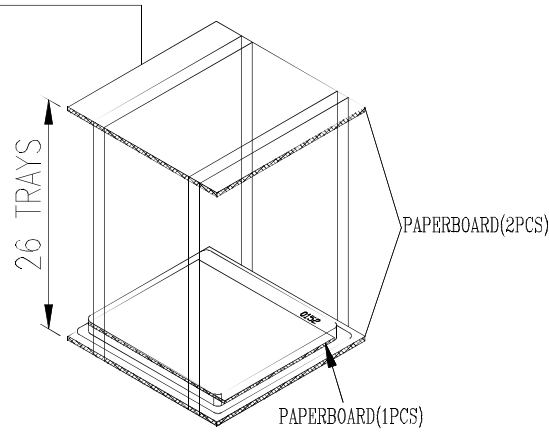
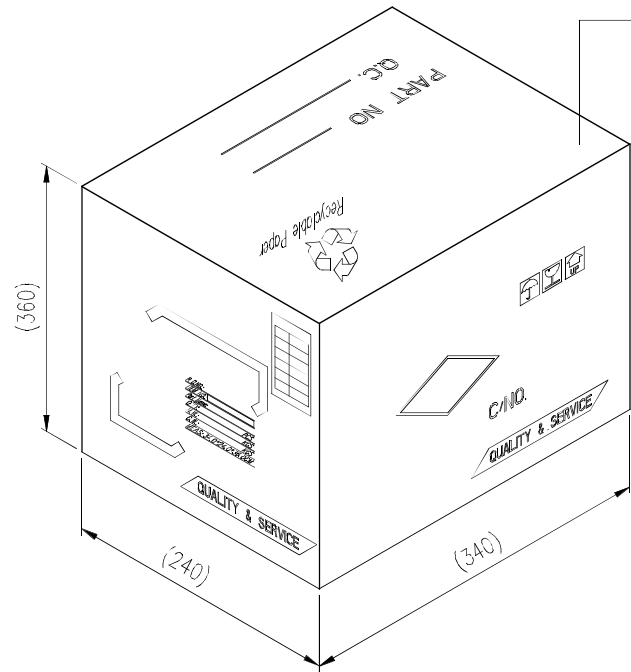
The marking on this product doesn't contain environmental hazardous materials per Material Specification SS-00259 for Sony GP compliant or per directive 2011/65/EU for RoHS compliant.



ORIGINAL

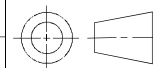


REVISIONS				
SYM	ECN No.	DESCRIPTION	DATE	APPROVED
A	NE-14181	RELEASE REVISION	10/15/2014	Arron Lin



80	26	2000	10.0	8.03	GSB4221X7EU
PCS/ TRAY	TRAYS/ BOX	QUANTITY (PCS)	G/W (Kg)	N/W (Kg)	PART NUMBER

TOLERANCE	APPROVALS	DATE	TITLE		PART No.	
X. X.X ±0.30 X.XX ±0.20 X.XXX ±0.10	DRAWN Debby Hung	10/15/2014	USB 3.1 B TYPE RECEPTACLE VERTICAL TYPE		Amphenol® Amphenol Corporation Amphenol Taiwan Corporation	
	CHECKED Roger Tsai	10/15/2014				
ANGULAR ±1°	APPROVED Arron Lin	10/15/2014	UNLESS OTHERWISE SPECIFIED	CUST DWG	PROJECT CODE OTHER	UNIT mm SCALE NA
	DWG TYPE					



GSB4221X7EU

GSB4221X7EU