



Chipsmall Limited consists of a professional team with an average of over 10 year of expertise in the distribution of electronic components. Based in Hongkong, we have already established firm and mutual-benefit business relationships with customers from,Europe,America and south Asia,supplying obsolete and hard-to-find components to meet their specific needs.

With the principle of “Quality Parts,Customers Priority,Honest Operation,and Considerate Service”,our business mainly focus on the distribution of electronic components. Line cards we deal with include Microchip,ALPS,ROHM,Xilinx,Pulse,ON,Everlight and Freescale. Main products comprise IC,Modules,Potentiometer,IC Socket,Relay,Connector.Our parts cover such applications as commercial,industrial, and automotives areas.

We are looking forward to setting up business relationship with you and hope to provide you with the best service and solution. Let us make a better world for our industry!



Contact us

Tel: +86-755-8981 8866 Fax: +86-755-8427 6832

Email & Skype: info@chipsmall.com Web: www.chipsmall.com

Address: A1208, Overseas Decoration Building, #122 Zhenhua RD., Futian, Shenzhen, China



Audio Control Switch Clap On/Off Model GSK-409

Classified as a remote controlled circuit this product uses an audio signal (clap on) to activate the on/off function of the switch. A sensitivity/volume controlled microphone picks up audio signal activating a relay generating an electrical signal to the switch.

Technical Specifications

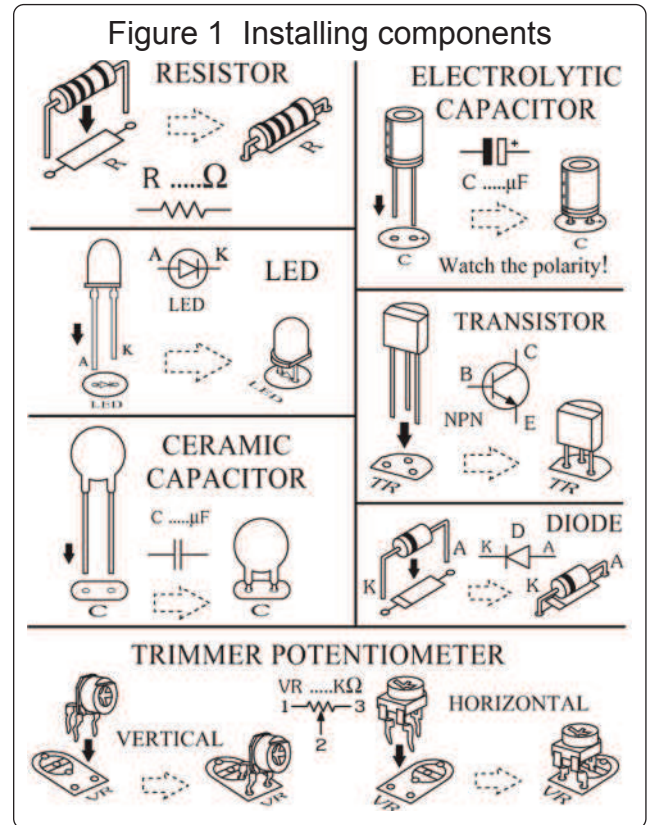
- Power Source: 12 VDC
- Power Consumption: 50 mA max.
- Sensitivity Adjustment: potentiometer
- Maximum Load: 10 A, 125 VAC or 5 A, 220 VAC
- PCB Dimensions: 2.92 x 1.49 inches

Operating Principles

This circuit utilizes a sensitivity microphone to obtain an audio signal and a flip-flop circuit to turn the switch to the on and off position. The audio signal enters from the microphone to transistor 1 through capacitor 2 entering variable resistor 1 allowing sensitivity adjustments. The collector of transistor 2 is connected through capacitor 3 and 4 creating a flip-flop sector comprising of transistor 3 and 4 both taking turn functioning to the signal transmitted by the microphone. The transmittal of an audio signal through transistor 1 and 2 causes the collector of transistor 2 to be amplified creating a momentary low voltage while current at the base of transistor 4 is drawn through diode 2 and capacitor 4 to ground at collector transistor 2 making transistor 4 stop inducing current. The higher voltage will cause transistor 3 to draw current through the base of transistor 4 and ground causing transistor 3 to work in place of transistor 4. At this point the relay will release the contact face so the LED will be turned off. Transistor 4 will be inactive until an audio signal is present to cause transistor 3 to stop induction and then transistor 4 will start functioning.

PCB Assembly

Please refer to Figures 1, 2, and 3 for aid in component placement. It is recommended to start with lower components i.e. diodes, resistors, electrolyte capacitors, and transistors. Be careful to check polarity with Figure 3 before soldering. Take extra precaution to ensure electrolytic capacitors are inserted correctly. If a problem is detected it is best too use a desoldering pump or desoldering braids to remove component. This will minimize potential damage to the printed circuit board.



Testing

Connect the 12VDC power source and adjust variable resistor 1 to just past neutral. The LED may be on or off; test by clapping your hands; LED should change from previous condition; clap hands once more and LED should return to original position. The LED should go on and off by clapping your hands if so, the circuit is working. Connect the audio control switch at “OUT” terminal and connect the unit to the “IN” terminal.

Troubleshooting

The main cause of problems will come from misplaced components or faulty soldering. Utilize figure 2 and 3 to ensure proper placement, polarity and then check solder points for connectivity.

Accessories

Use GSB-04 (sold separately) to house the PCB and batteries.

Figure 2 Audio control switch circuit

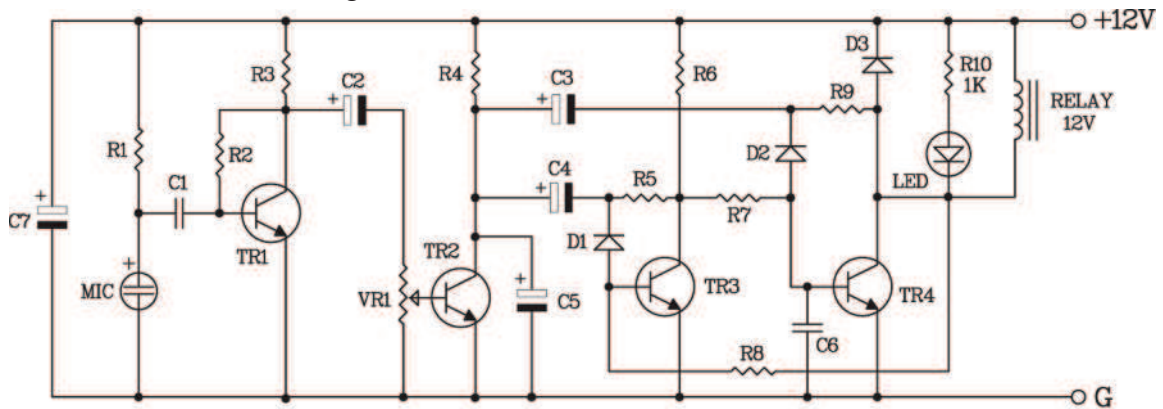
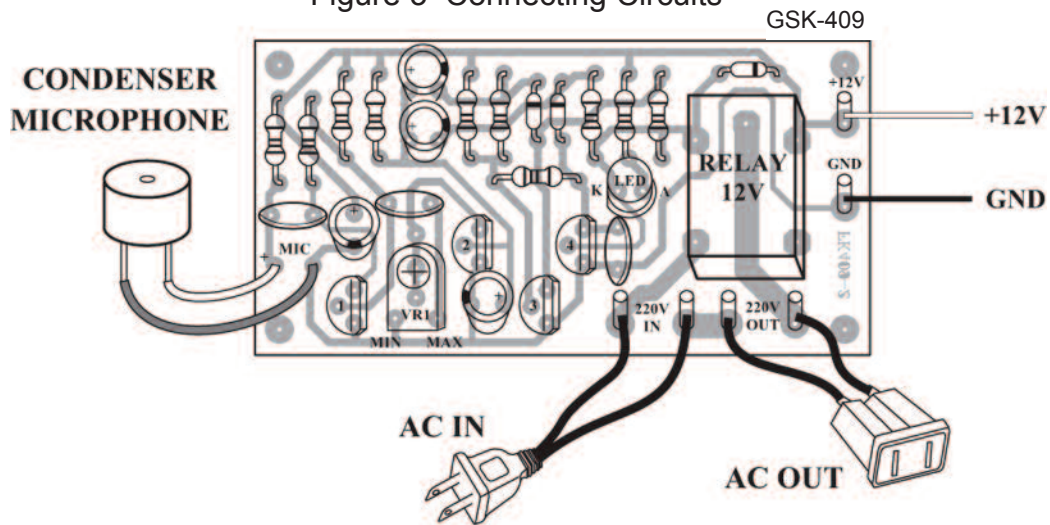


Figure 3 Connecting Circuits



Resistors

R1, R10	1 k Ω	brown – black – red – gold
R2	1 M Ω	brown – black – green – gold
R3, R8	10 k Ω	brown – black – orange – gold
R4	56 k Ω	green – blue – orange – gold
R5, R9	47 k Ω	yellow – violet – orange – gold
R6	3 k Ω	orange – black – red – gold
R7	5 k Ω	green – black – red – gold

Potentiometer

VR1	103 or 14 or 10 k Ω
-----	----------------------------

Ceramic Capacitors

C1	104 or 0.1 μ F
C6	273 or 0.027 μ F

Electrolytic Capacitors

C2	0.1 μ F
C3, C4, C5	2.2 μ F
C7	10 μ F

Transistor

TR1, TR2, TR3, TR4	C458, C828, C945, C1815
--------------------	-------------------------

Diodes

D1, D2, D3	1N4148
------------	--------