



Chipsmall Limited consists of a professional team with an average of over 10 year of expertise in the distribution of electronic components. Based in Hongkong, we have already established firm and mutual-benefit business relationships with customers from,Europe,America and south Asia,supplying obsolete and hard-to-find components to meet their specific needs.

With the principle of “Quality Parts,Customers Priority,Honest Operation,and Considerate Service”,our business mainly focus on the distribution of electronic components. Line cards we deal with include Microchip,ALPS,ROHM,Xilinx,Pulse,ON,Everlight and Freescale. Main products comprise IC,Modules,Potentiometer,IC Socket,Relay,Connector.Our parts cover such applications as commercial,industrial, and automotives areas.

We are looking forward to setting up business relationship with you and hope to provide you with the best service and solution. Let us make a better world for our industry!



## Contact us

Tel: +86-755-8981 8866 Fax: +86-755-8427 6832

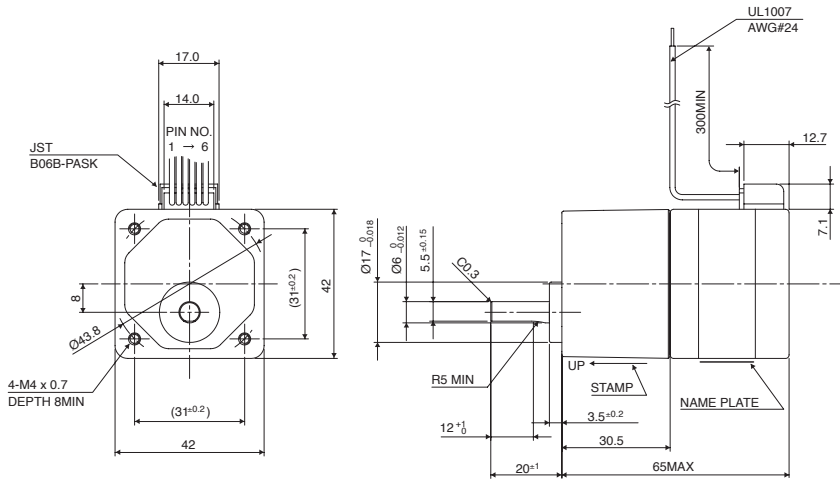
Email & Skype: info@chipsmall.com Web: www.chipsmall.com

Address: A1208, Overseas Decoration Building, #122 Zhenhua RD., Futian, Shenzhen, China



### Outline

### Gearbox Low Backlash



Hybrid

### General Specifications

Temperature Rise: 80°C MAX  
 Ambient Temperature Range: -10 °C ~ +50 °C  
 Insulation Resistance: 100MΩ MIN. DC500V  
 Dielectric Strength: AC500V 1min  
 Permissible Radial Load (at 10mm from shaft end): 19.6N (2kgf)  
 Permissible Thrust Load: 14.7N (1.5kgf)

### PIN NO. vs. PHASE

PHASE	A	A COM	$\bar{A}$	B	B COM	$\bar{B}$
PIN NO.	3	2	1	4	5	6

### Specifications

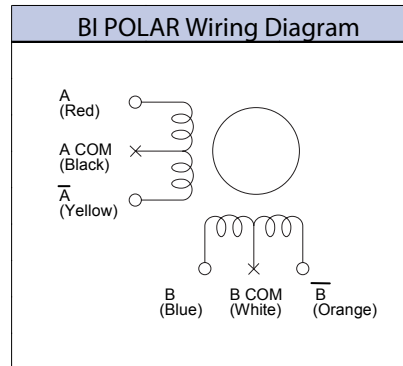
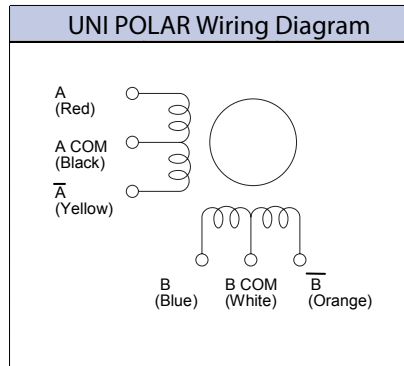
Model	Rated Current (A)	Resistance (Ohms)	Step Angle (deg)	Gear Ratio (1 : X)	Permissible Torque (Nm (kgf · cm))	Permissible Speed Range (r/min)	Backlash (min(deg))	Mass (g)
GT0036-17M000	1.0	3.1	0.5	1 : 3.6	0.35 (3.6)	0 ~ 500	45 (0.75)	340
GT0072-17M000	1.0	3.1	0.25	1 : 7.2	0.7 (7.1)	0 ~ 250	25 (0.417)	340
GT0100-17M000	1.0	3.1	0.18	1 : 10	1 (10.2)	0 ~ 180	25 (0.417)	340
GT0200-17M000	1.0	3.1	0.09	1 : 20	1.5 (15.3)	0 ~ 90	15 (0.25)	340
GT0300-17M000	1.0	3.1	0.06	1 : 30	1.5 (15.3)	0 ~ 60	15 (0.25)	340

\*Drive Sequence: Unipolar

\*Leadwires will be supplied with the motor

\*Direction of rotation of the motor and that of the gear output shaft are the same for the gear ratios 1:3.6, 1:7.2 and 1:10. It is the opposite for 1:20 and 1:30 gear ratio

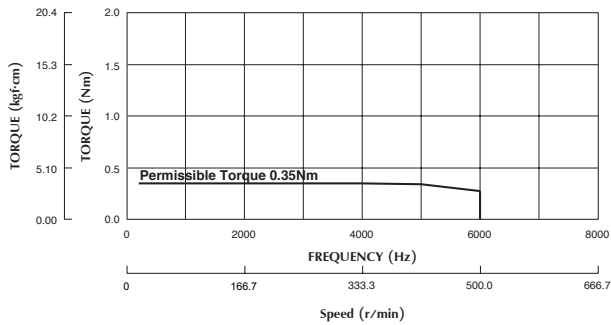
## Specifications



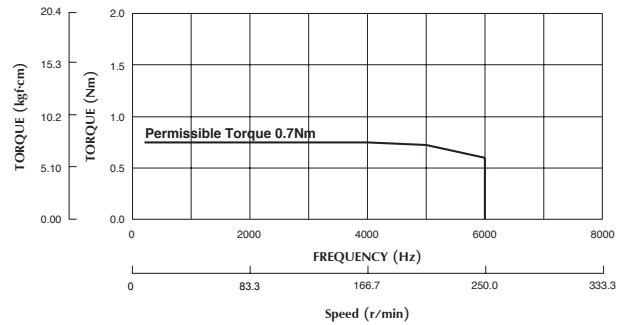
\*Do not connect A COM and B COM. Please insulate individually.  
\*Apply 70% of Unipolar rated current.

## Torque/Speed Characteristics

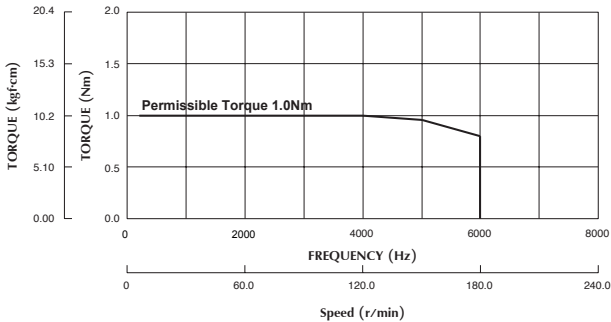
Model No.: GT0036-17M000  
Supply Voltage: 24 V (DC)  
Current: 1.0A/Phase  
Step Angle: 0.5°/step



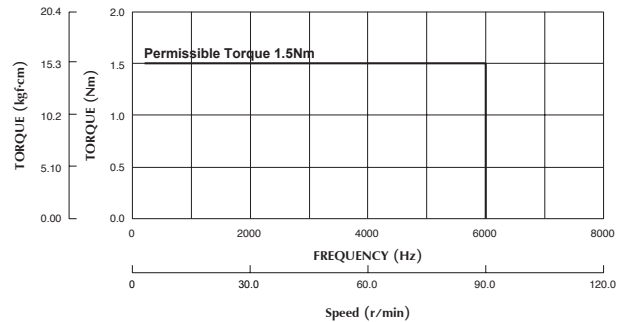
Model No.: GT0072-17M000  
Supply Voltage: 24 V (DC)  
Current: 1.0A/Phase  
Step Angle: 0.25°/step



Model No.: GT0100-17M000  
Supply Voltage: 24 V (DC)  
Current: 1.0A/Phase  
Step Angle: 0.18°/step



Model No.: GT0200-17M000  
Supply Voltage: 24 V (DC)  
Current: 1.0A/Phase  
Step Angle: 0.09°/step



## Torque/Speed Characteristics

Model No.: GT0300-17M000  
Supply Voltage: 24 V (DC)  
Current: 1.0A/Phase  
Step Angle: 0.06°/step

