



Chipsmall Limited consists of a professional team with an average of over 10 year of expertise in the distribution of electronic components. Based in Hongkong, we have already established firm and mutual-benefit business relationships with customers from,Europe,America and south Asia,supplying obsolete and hard-to-find components to meet their specific needs.

With the principle of “Quality Parts,Customers Priority,Honest Operation,and Considerate Service”,our business mainly focus on the distribution of electronic components. Line cards we deal with include Microchip,ALPS,ROHM,Xilinx,Pulse,ON,Everlight and Freescale. Main products comprise IC,Modules,Potentiometer,IC Socket,Relay,Connector.Our parts cover such applications as commercial,industrial, and automotives areas.

We are looking forward to setting up business relationship with you and hope to provide you with the best service and solution. Let us make a better world for our industry!



Contact us

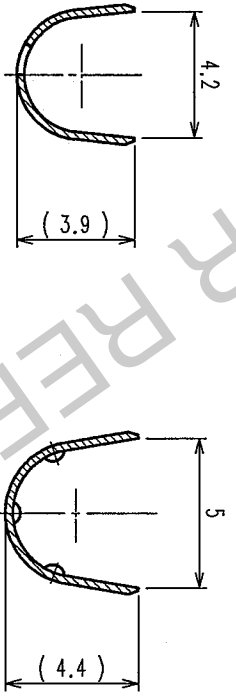
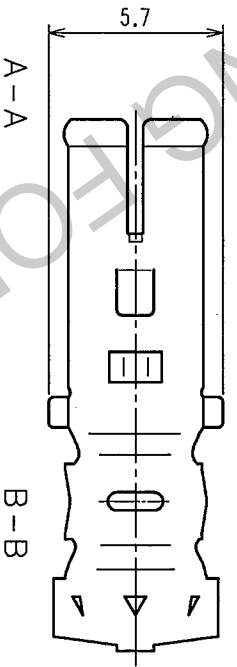
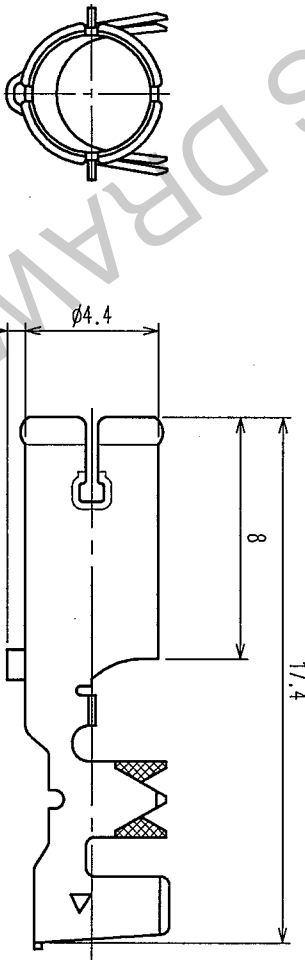
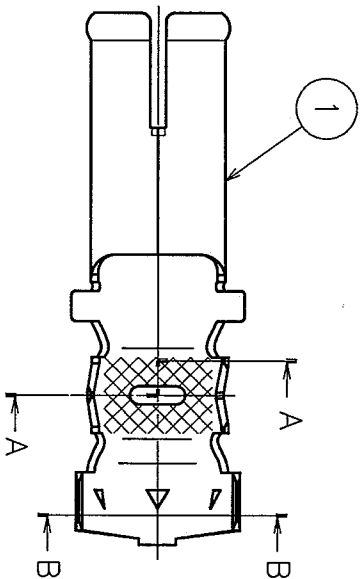
Tel: +86-755-8981 8866 Fax: +86-755-8427 6832

Email & Skype: info@chipsmall.com Web: www.chipsmall.com

Address: A1208, Overseas Decoration Building, #122 Zhenhua RD., Futian, Shenzhen, China



Δの数 COUNT	訂正記 DESCRIPTION OF REVISIONS	設計検 BY CHKD	年月日 DATE	Δの数 COUNT	訂正記 DESCRIPTION OF REVISIONS	設計検 BY CHKD	年月日 DATE
		
		
		



1	PHOSPHOR BRONZE	すずめっき TIN PLATED, T=0.25	処 理, 備 考	部 番 NO.	材 質 MATERIAL	処 理, 備 考
備考 REMARKS	製 図 DRAWN S. KURIYA 設 計 DESIGNED S. KURIYA 検 査 CHECKED AMC 05.8.12 佐藤 承 認 APPROVED AMC 05.8.12 佐藤 出 図 RELEASED					
旧製品コード CODE NO. (OLD)	図番 DRAWING NO.	製品名 PART NO.	製品コード CODE NO.			
	EDC4-166263	GT16G-1.6-2.9PC	CL766-0048-6			
尺度 SCALE 4:1	HRS HIROSE ELECTRIC CO., LTD.		FORM NO. 232			

TO

