



Chipsmall Limited consists of a professional team with an average of over 10 year of expertise in the distribution of electronic components. Based in Hongkong, we have already established firm and mutual-benefit business relationships with customers from,Europe,America and south Asia,supplying obsolete and hard-to-find components to meet their specific needs.

With the principle of “Quality Parts,Customers Priority,Honest Operation,and Considerate Service”,our business mainly focus on the distribution of electronic components. Line cards we deal with include Microchip,ALPS,ROHM,Xilinx,Pulse,ON,Everlight and Freescale. Main products comprise IC,Modules,Potentiometer,IC Socket,Relay,Connector.Our parts cover such applications as commercial,industrial, and automotives areas.

We are looking forward to setting up business relationship with you and hope to provide you with the best service and solution. Let us make a better world for our industry!



Contact us

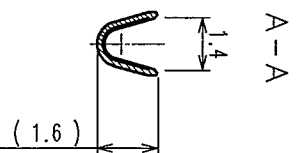
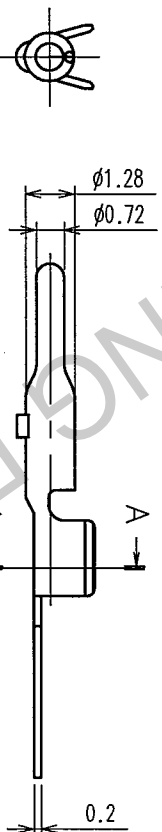
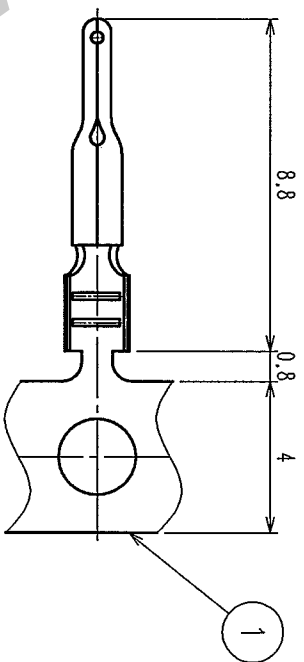
Tel: +86-755-8981 8866 Fax: +86-755-8427 6832

Email & Skype: info@chipsmall.com Web: www.chipsmall.com

Address: A1208, Overseas Decoration Building, #122 Zhenhua RD., Futian, Shenzhen, China



Δの数 COUNT	訂正記事 DESCRIPTION OF REVISIONS	設計検図 BY CHKD	年月日 DATE	Δの数 COUNT	訂正記事 DESCRIPTION OF REVISIONS	設計検図 BY CHKD	年月日 DATE
		
		
		



注1. 1リール10000本巻き。
NOTE1. ONE REEL CONSISTS OF 10000 PIECES OF CONTACTS.

1	黄銅 BRASS	寸すめつき TIN PLATED, T=0.2						
部番 NO.	材 質 MATERIAL	処 理, 備 考 FINISH, REMARKS	製 図 DRAWN	設 計 DESIGNED	検 図 CHECKED	承 認 APPROVED	出 図 RELEASED	
備考 REMARKS			S.KURIYA	S.KURIYA	05.8.12 栗谷 佐藤	05.8.12 栗谷 佐藤		
旧製品コード CODE NO. (OLD)	図番 DRAWING NO.	製品名 PART NO.	製図者: S.KURIYA 設計者: S.KURIYA 検図者: 栗谷 佐藤 承認者: 栗谷 佐藤					
	EDC4-166261	GT16G-2428PCF	製品コード: CL766-0046-0 1/1					
	尺 度 尺 寸 SCALE 5 : 1	単 位 単 位 UNITS mm	HRS ヒロセ電機株式会社 HIROSE ELECTRIC CO., LTD.					

TO