



Chipsmall Limited consists of a professional team with an average of over 10 year of expertise in the distribution of electronic components. Based in Hongkong, we have already established firm and mutual-benefit business relationships with customers from,Europe,America and south Asia,supplying obsolete and hard-to-find components to meet their specific needs.

With the principle of "Quality Parts,Customers Priority,Honest Operation,and Considerate Service",our business mainly focus on the distribution of electronic components. Line cards we deal with include Microchip,ALPS,ROHM,Xilinx,Pulse,ON,Everlight and Freescale. Main products comprise IC,Modules,Potentiometer,IC Socket,Relay,Connector.Our parts cover such applications as commercial,industrial, and automotives areas.

We are looking forward to setting up business relationship with you and hope to provide you with the best service and solution. Let us make a better world for our industry!



Contact us

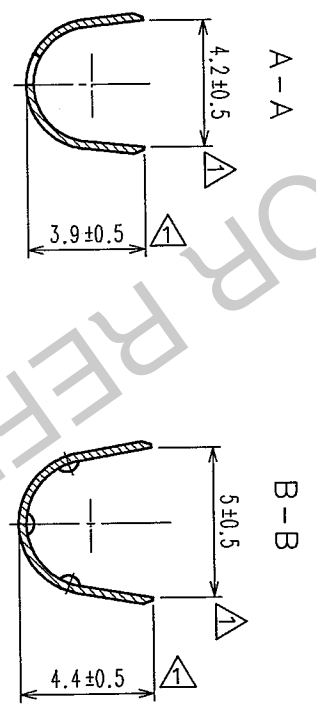
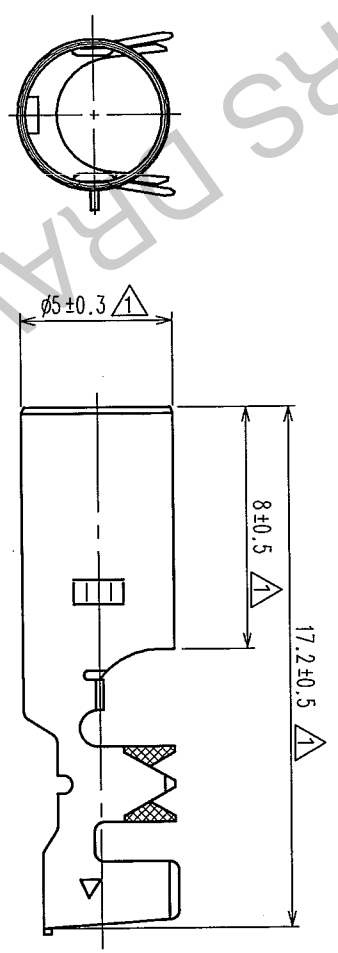
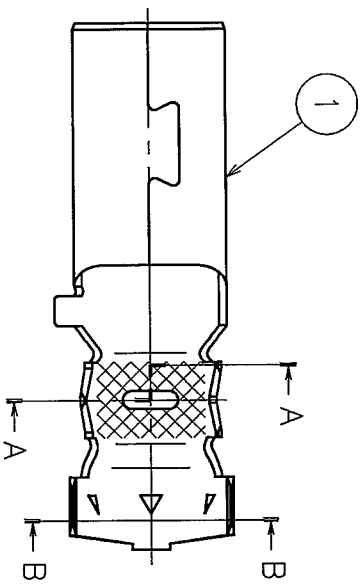
Tel: +86-755-8981 8866 Fax: +86-755-8427 6832

Email & Skype: info@chipsmall.com Web: www.chipsmall.com

Address: A1208, Overseas Decoration Building, #122 Zhenhua RD., Futian, Shenzhen, China



Δの数 COUNT	訂正記事 DESCRIPTION OF REVISIONS	設計検図 BY CHKD	年月日 DATE	Δの数 COUNT	訂正記事 DESCRIPTION OF REVISIONS	設計検図 BY CHKD	年月日 DATE
7	DIS-T-000418	T.S	7.4.5				



1	リン青銅 PHOSPHOR BRONZE	すずめっき TIN PLATED, T=0.25	処理, 備考 FINISH, REMARKS	製図 DRAWN	設計 DESIGNED	検図 CHECKED	承認 APPROVED	出図 RELEASED
	材質 MATERIAL	処理, 備考 FINISH, REMARKS	部番 NO.	製図 DRAWN	設計 DESIGNED	検図 CHECKED	承認 APPROVED	出図 RELEASED
	備考 REMARKS			T.SHIKIKURA AMC 03.7.2 栄倉	T.SHIKIKURA AMC 03.7.2 栄倉	N.HARUBAYASHI AMC 03.7.4 春林	K.SATO AMC 03.7.4 佐藤	
	旧製品コード CODE NO. (OLD)	図番 DRAWING NO.	製品名 PART NO.					
		EDC4-165987	GT16GM-1.6-2.9SC					
	尺度 SCALE	単位 UNITS	製品コード CODE NO.					
	4:1	mm	CL766-0025-0					

TO

