



Chipsmall Limited consists of a professional team with an average of over 10 year of expertise in the distribution of electronic components. Based in Hongkong, we have already established firm and mutual-benefit business relationships with customers from,Europe,America and south Asia,supplying obsolete and hard-to-find components to meet their specific needs.

With the principle of “Quality Parts,Customers Priority,Honest Operation,and Considerate Service”,our business mainly focus on the distribution of electronic components. Line cards we deal with include Microchip,ALPS,ROHM,Xilinx,Pulse,ON,Everlight and Freescale. Main products comprise IC,Modules,Potentiometer,IC Socket,Relay,Connector.Our parts cover such applications as commercial,industrial, and automotives areas.

We are looking forward to setting up business relationship with you and hope to provide you with the best service and solution. Let us make a better world for our industry!



Contact us

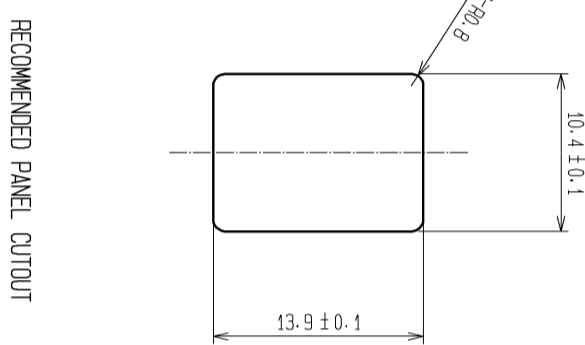
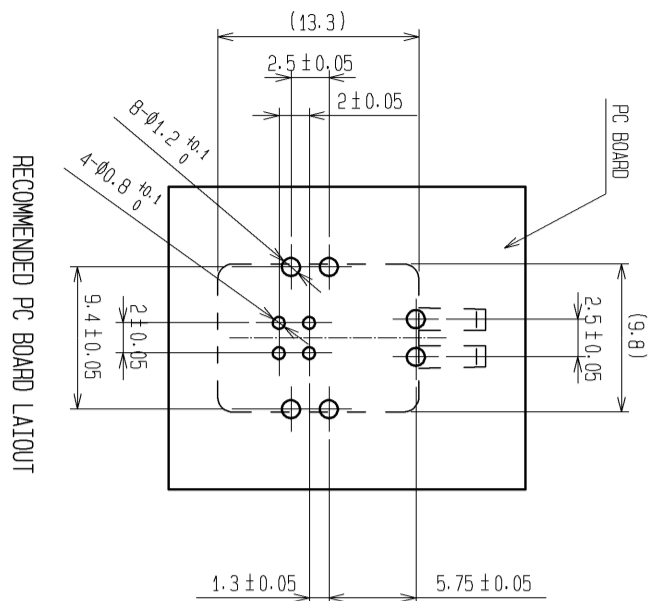
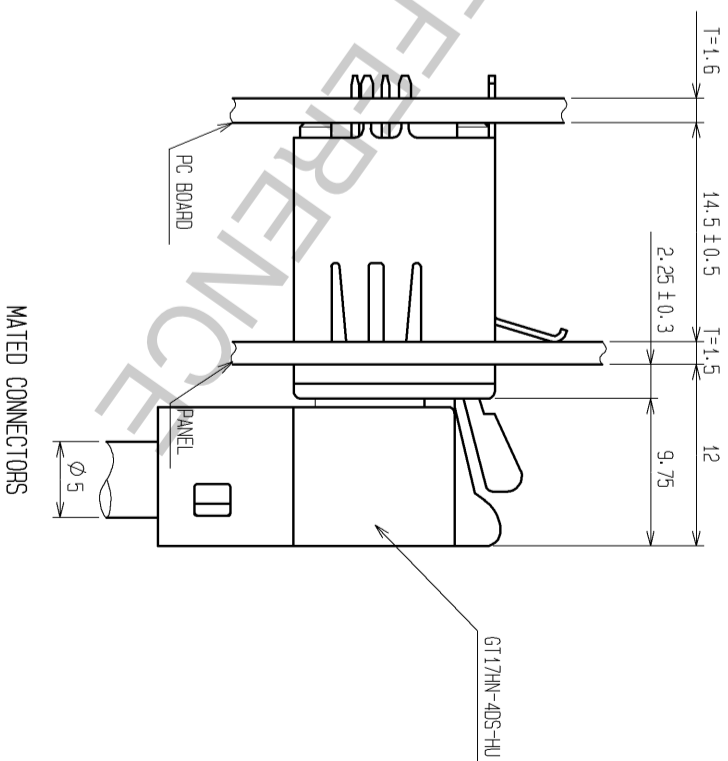
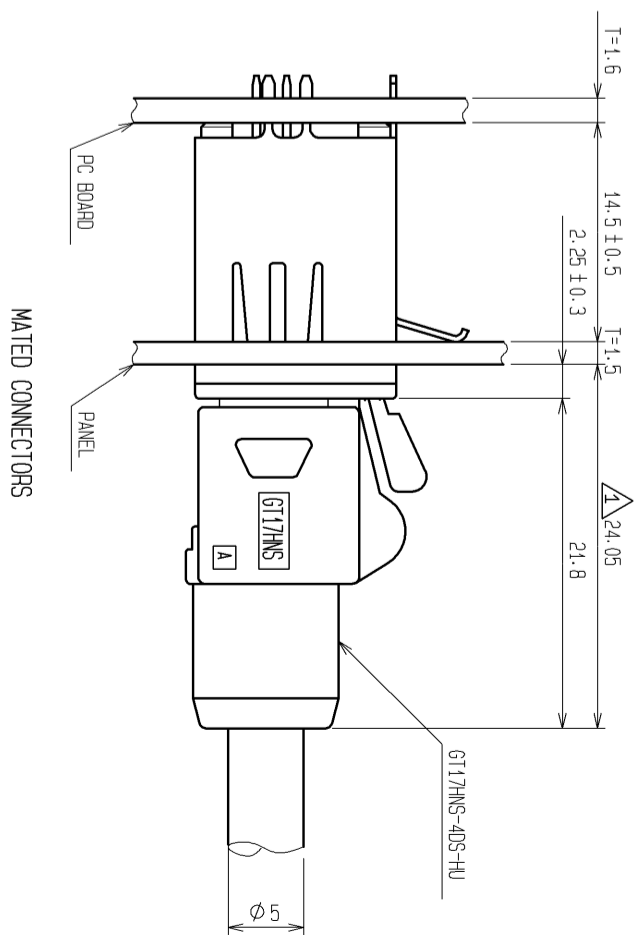
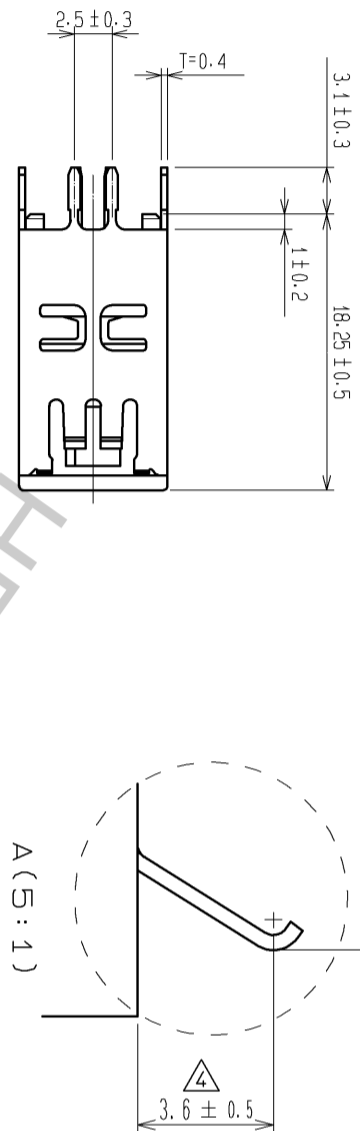
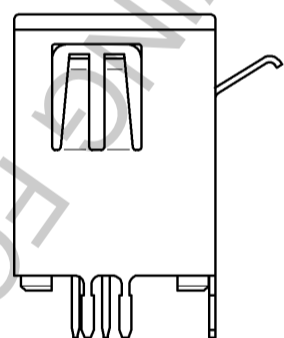
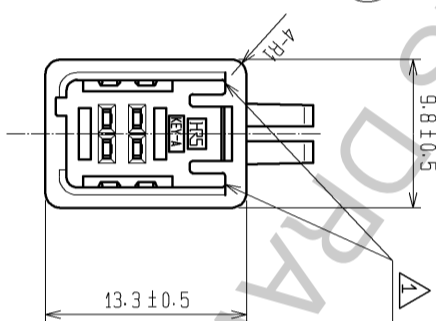
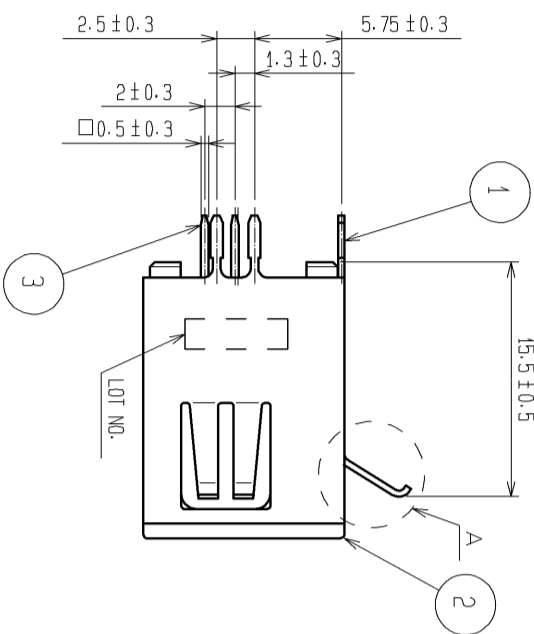
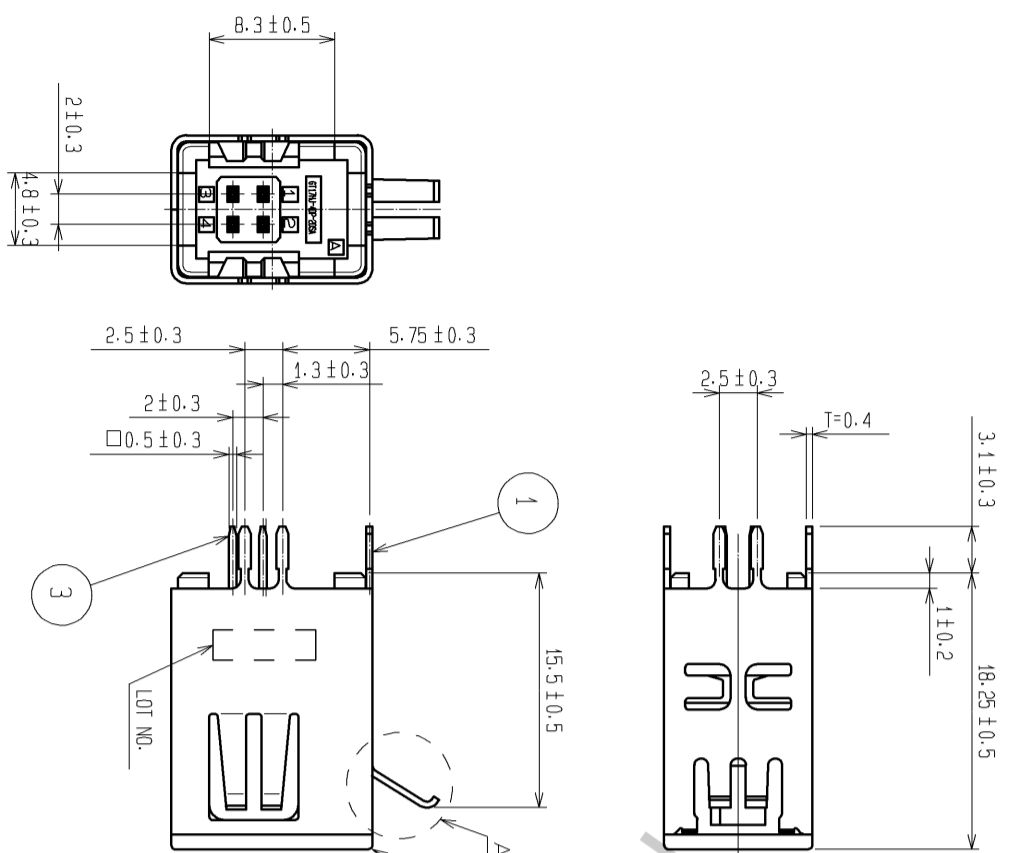
Tel: +86-755-8981 8866 Fax: +86-755-8427 6832

Email & Skype: info@chipsmall.com Web: www.chipsmall.com

Address: A1208, Overseas Decoration Building, #122 Zhenhua RD., Futian, Shenzhen, China



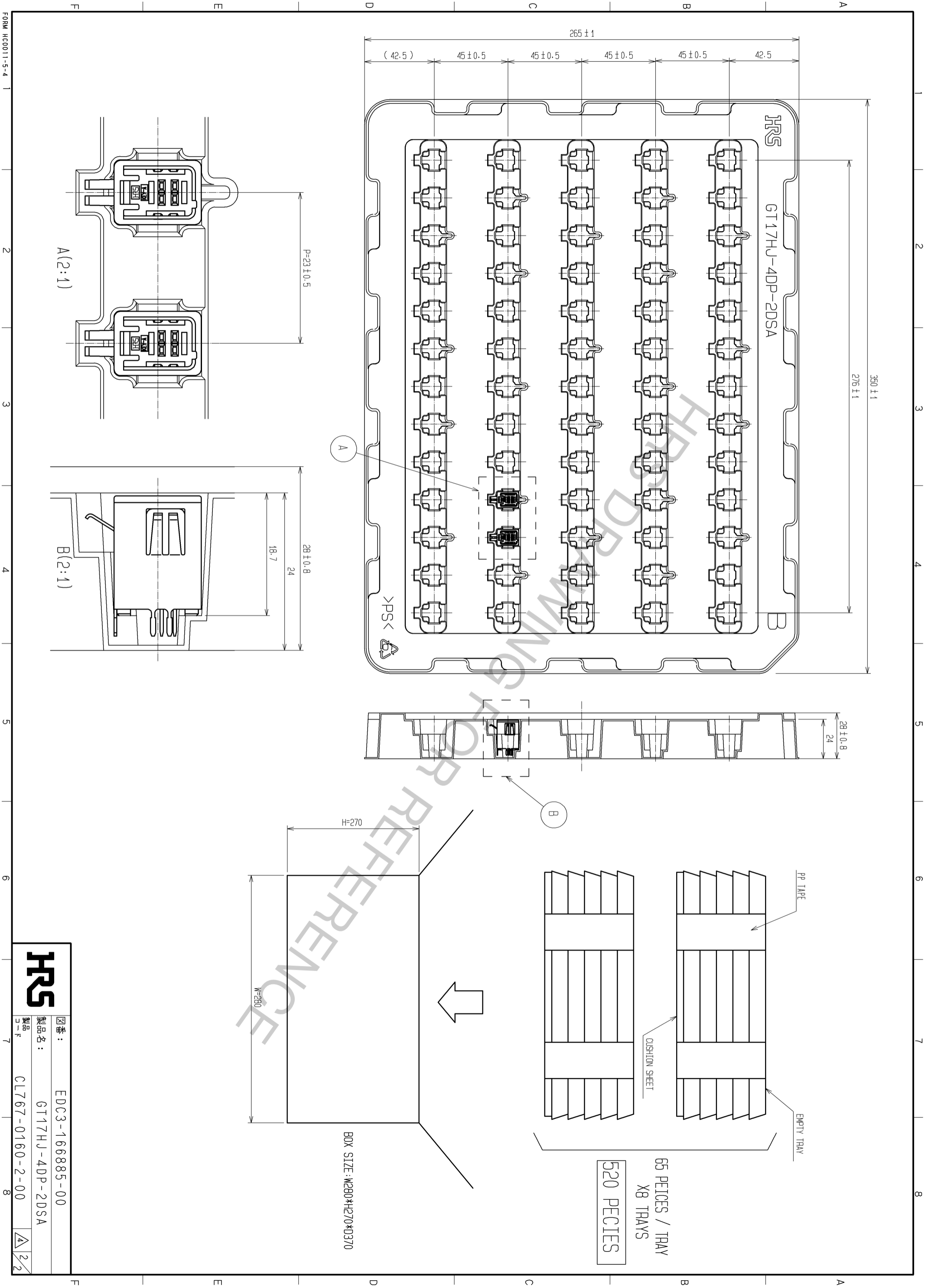
ELV, RoHS COMPLIANT



2	PPS-M	BROWN	4	PS-E	TIN PLATED		
1	COPPER ALLOY	TIN PLATED	3	BRASS			

UNITS	mm	SCALE	2 : 1	Δの数	1	DIS-T-002796	承認	KS. SATOH	07.05.30	EDC3-166885-00
部番	材質	処理	備考	部番	材質	設計	検図	NH. NAKATA	07.05.30	12.07.20

		HIROSE ELECTRIC CO., LTD.		検図 : KS. SATOH 07.05.30 設計 : TH. MIZUGUCHI 07.05.30 製図 : TH. MIZUGUCHI 07.05.30		製品名 : GT17HJ-4DP-2DSA CL767-0160-2-00	
--	--	---------------------------	--	---	--	--	--



FORM HC0011-5-4

HR5	品番:	EDC3-166885-00
	製品名:	GT17HJ-4DP-2DSA
製品コード:	CL767-0160-2-00	
		2/2