



Chipsmall Limited consists of a professional team with an average of over 10 year of expertise in the distribution of electronic components. Based in Hongkong, we have already established firm and mutual-benefit business relationships with customers from,Europe,America and south Asia,supplying obsolete and hard-to-find components to meet their specific needs.

With the principle of "Quality Parts,Customers Priority,Honest Operation,and Considerate Service",our business mainly focus on the distribution of electronic components. Line cards we deal with include Microchip,ALPS,ROHM,Xilinx,Pulse,ON,Everlight and Freescale. Main products comprise IC,Modules,Potentiometer,IC Socket,Relay,Connector.Our parts cover such applications as commercial,industrial, and automotives areas.

We are looking forward to setting up business relationship with you and hope to provide you with the best service and solution. Let us make a better world for our industry!



Contact us

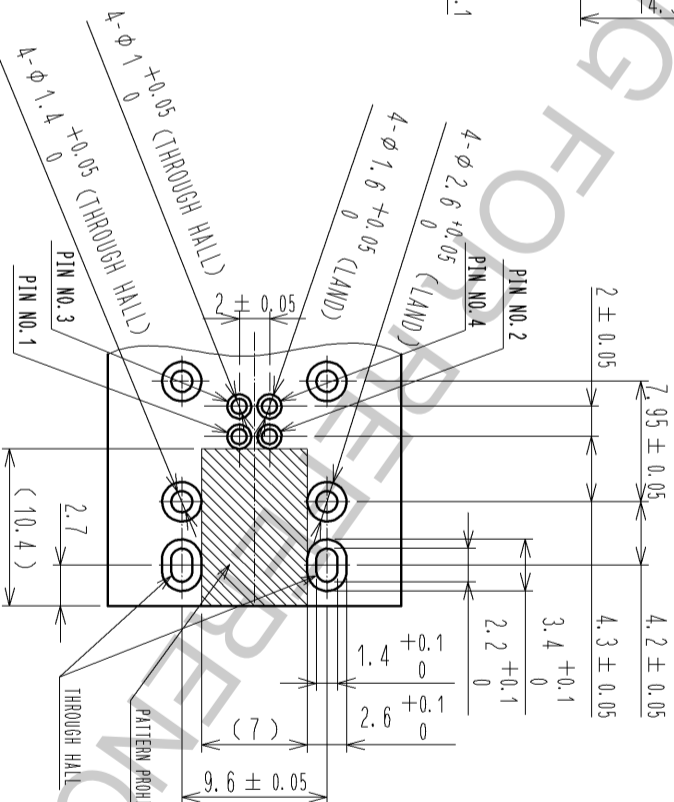
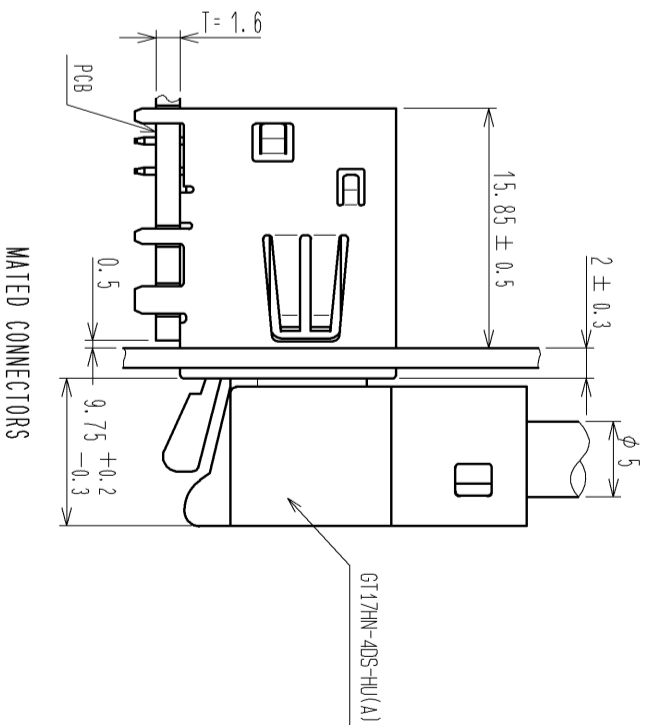
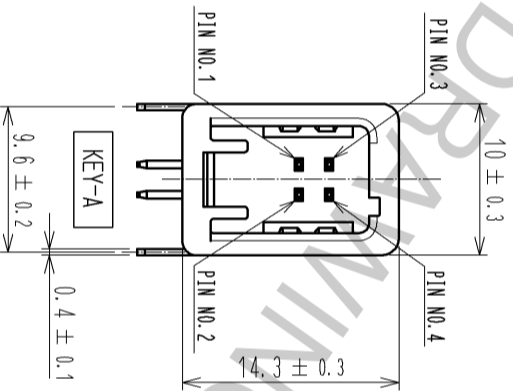
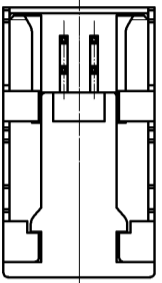
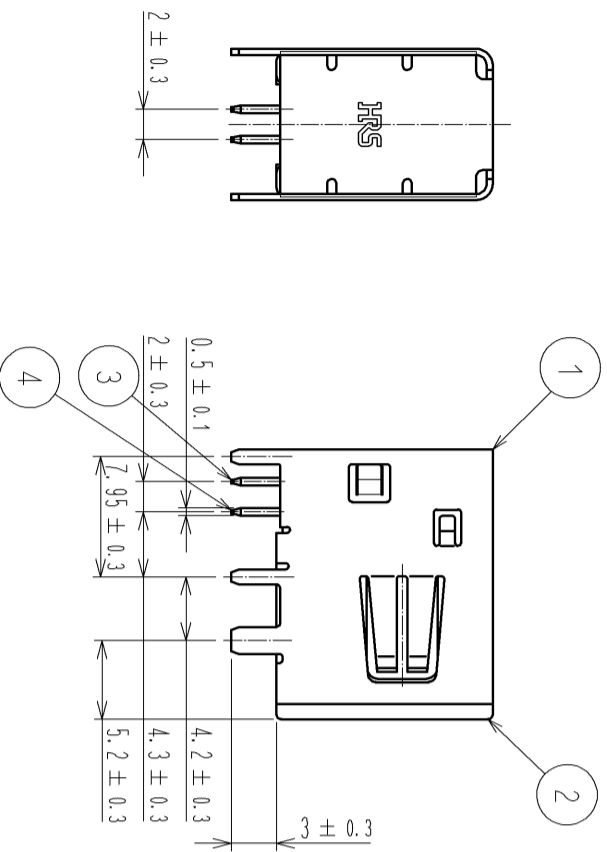
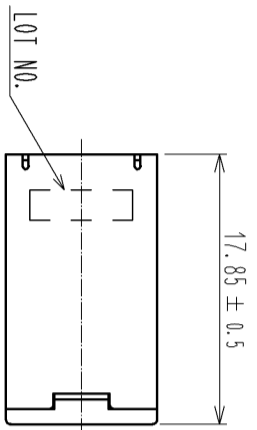
Tel: +86-755-8981 8866 Fax: +86-755-8427 6832

Email & Skype: info@chipsmall.com Web: www.chipsmall.com

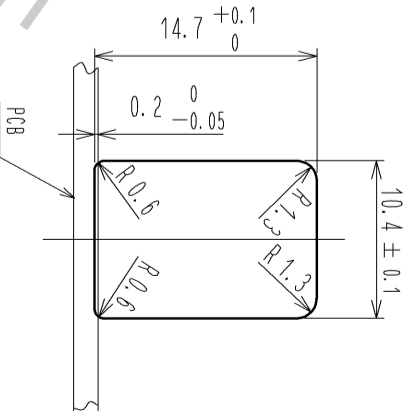
Address: A1208, Overseas Decoration Building, #122 Zhenhua RD., Futian, Shenzhen, China



ELV, ROHS COMPLIANT



RECOMMENDED PCB LAYOUT



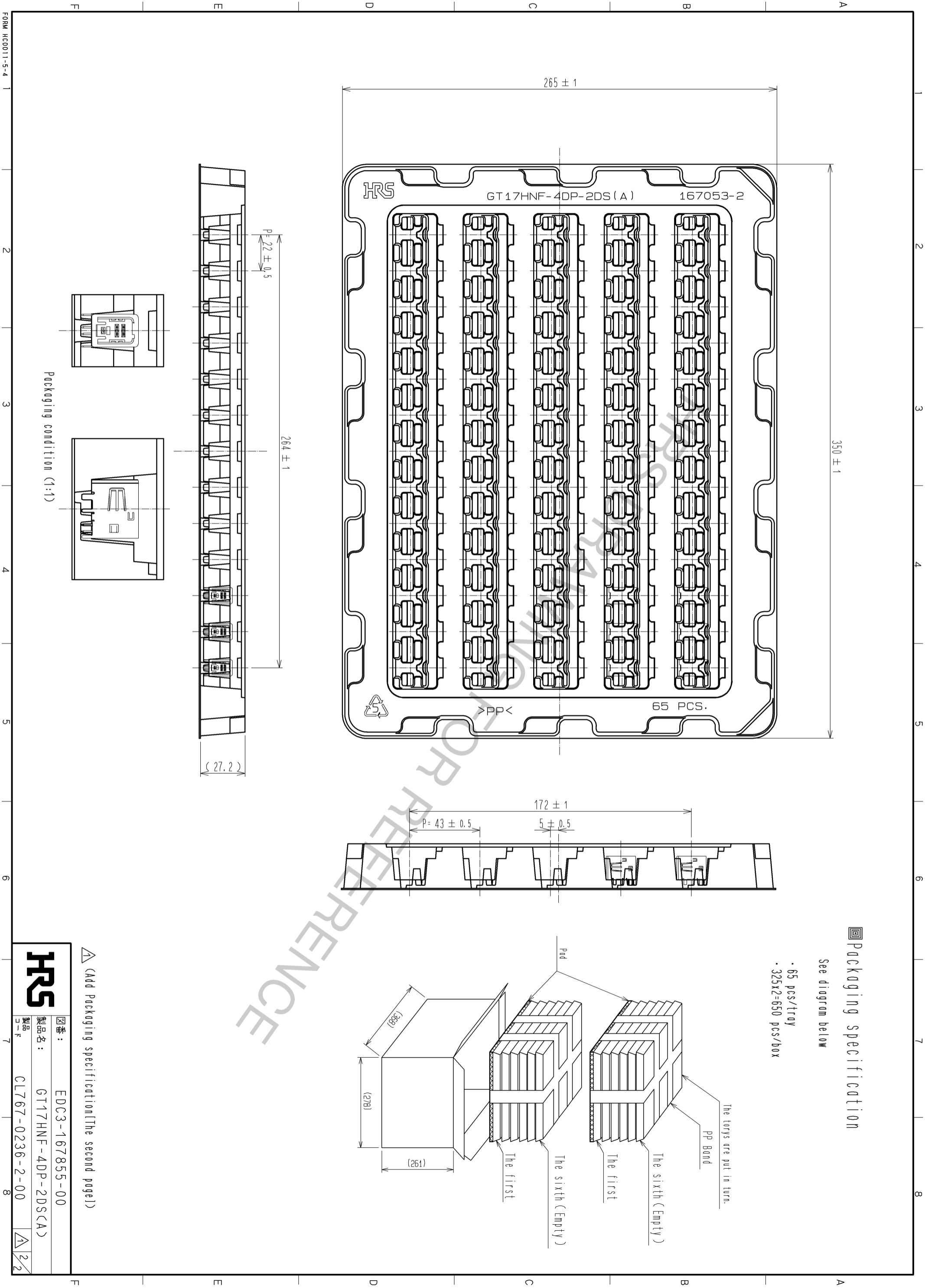
PANNEL LAYOUT

2	PBT	BROWN	4	BRASS	TIN PLATED		
1	COPPER ALLOY	TIN PLATED	3	BRASS	TIN PLATED		
NO.	MATERIAL	FINISH . REMARKS	NO.	MATERIAL	FINISH . REMARKS		
UNITS	SCALE	COUNT	DESCRIPTION OF REVISIONS	DESIGNED	CHECKED	DATE	
mm	2 : 1	1	DIS-T-003985	MH. SHOUJI	TS. KUBOTA	14.07.15	

APPROVED : AR. SHIRAI	09.11.06	DRAWING NO.	EDC3-167855-00
CHECKED : NH. NAKATA	09.11.05	PART NO.	G177HNF-4DP-2DSC(A)
DESIGNED : TS. KUBOTA	09.11.05	CODE NO.	CL767-0236-2-00
DRAWN : TS. KUBOTA	09.11.05		

HRS

HIROSE ELECTRIC CO., LTD.



□ Packaging specification

See diagram below

- 65 pcs/tray
- 325x2=650 pcs/box

The trays are put in turn.

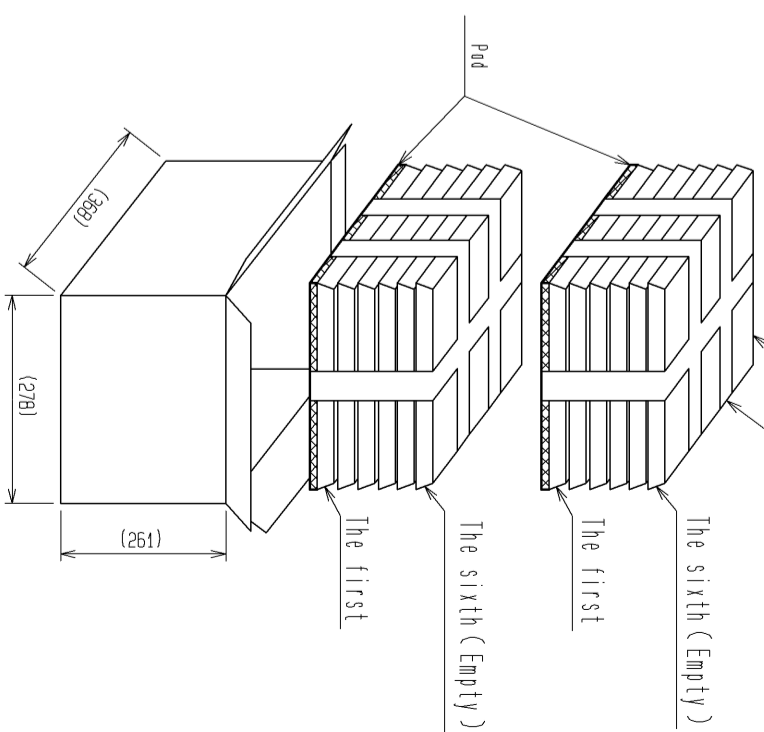
PP Band

The sixth (Empty)

The first

The sixth (Empty)

The first



△ (Add Packaging specification(The second page))

Packaging condition (1:1)

HRS	図番:	EDC3-167855-00
	製品名:	GT17HNF-4DP-2DS(A)
製品	製品	CL767-0236-2-00
2	2	2