



Chipsmall Limited consists of a professional team with an average of over 10 year of expertise in the distribution of electronic components. Based in Hongkong, we have already established firm and mutual-benefit business relationships with customers from,Europe,America and south Asia,supplying obsolete and hard-to-find components to meet their specific needs.

With the principle of “Quality Parts,Customers Priority,Honest Operation,and Considerate Service”,our business mainly focus on the distribution of electronic components. Line cards we deal with include Microchip,ALPS,ROHM,Xilinx,Pulse,ON,Everlight and Freescale. Main products comprise IC,Modules,Potentiometer,IC Socket,Relay,Connector.Our parts cover such applications as commercial,industrial, and automotives areas.

We are looking forward to setting up business relationship with you and hope to provide you with the best service and solution. Let us make a better world for our industry!



## Contact us

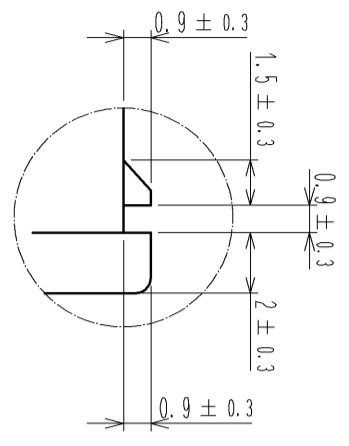
Tel: +86-755-8981 8866 Fax: +86-755-8427 6832

Email & Skype: info@chipsmall.com Web: www.chipsmall.com

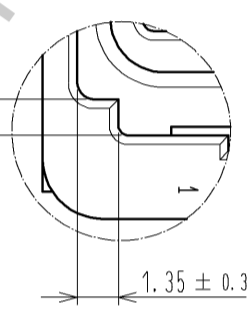
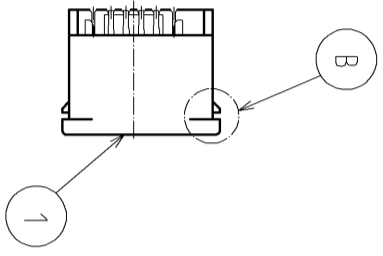
Address: A1208, Overseas Decoration Building, #122 Zhenhua RD., Futian, Shenzhen, China



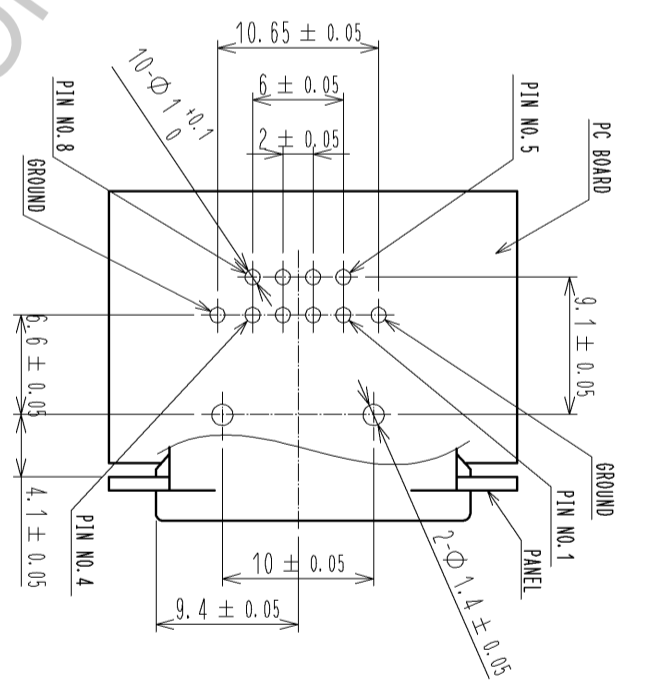
ELV, RoHS COMPLIANT



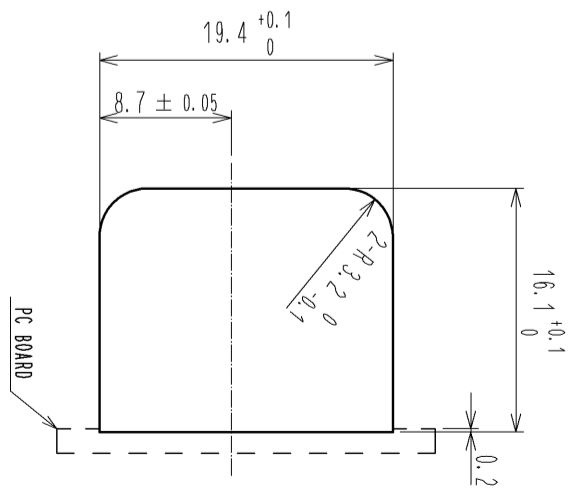
B(4:1)



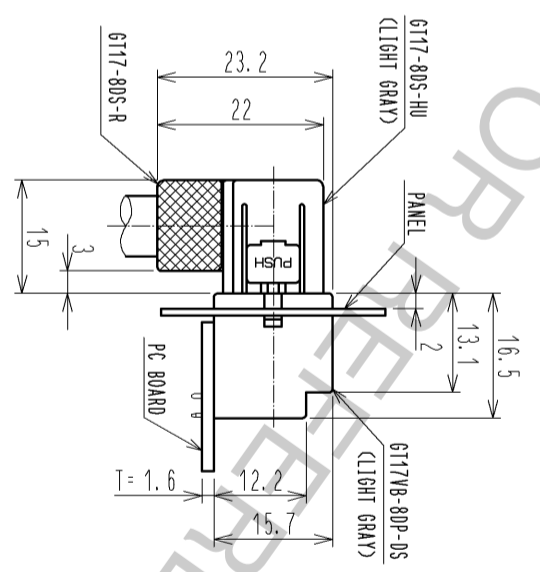
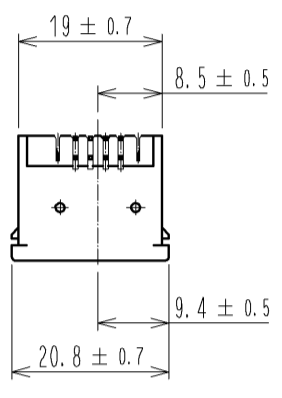
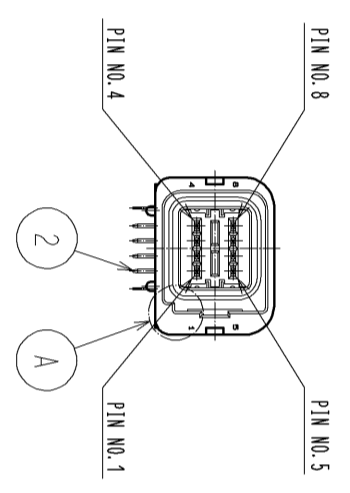
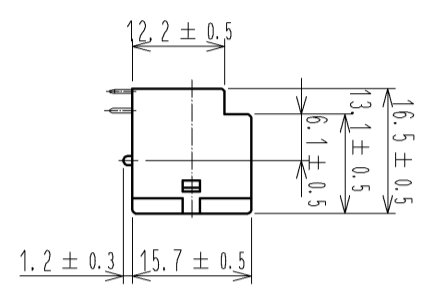
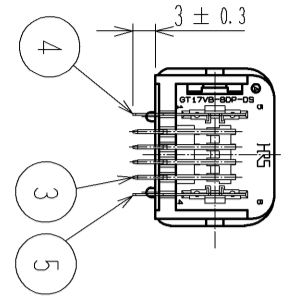
A(4:1)



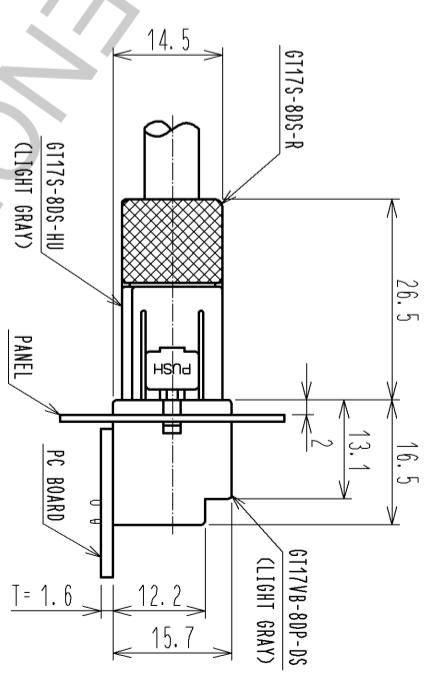
RECOMMENDED PC BOARD HOLE PATTERN(2:1)



RECOMMENDED PANEL CUTOUT(2:1)



MATED CONNECTOR



3	BRASS	TIN PLATED, T=0.64
2	BRASS	TIN PLATED, T=0.64
1	PBT	LIGHT GRAY
NO.	MATERIAL	FINISH, REMARKS
UNITS	SCALE	COUNT
mm	1:1	
		DESCRIPTION OF REVISIONS
		DESIGNED
		CHECKED
		DATE

APPROVED	: K.S. SATOH	08.06.23	DRAWING	EDC3-167085-00
CHECKED	: NH. NAKATA	08.06.20	PART	GT17VB-8DP-DS
DESIGNED	: TS. KUBOTA	08.06.12	CODE	
DRAWN	: TS. KUBOTA	08.06.12	NO.	
				CL767-0185-3-00

