



Chipsmall Limited consists of a professional team with an average of over 10 year of expertise in the distribution of electronic components. Based in Hongkong, we have already established firm and mutual-benefit business relationships with customers from,Europe,America and south Asia,supplying obsolete and hard-to-find components to meet their specific needs.

With the principle of "Quality Parts,Customers Priority,Honest Operation,and Considerate Service",our business mainly focus on the distribution of electronic components. Line cards we deal with include Microchip,ALPS,ROHM,Xilinx,Pulse,ON,Everlight and Freescale. Main products comprise IC,Modules,Potentiometer,IC Socket,Relay,Connector.Our parts cover such applications as commercial,industrial, and automotives areas.

We are looking forward to setting up business relationship with you and hope to provide you with the best service and solution. Let us make a better world for our industry!



Contact us

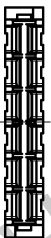
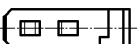
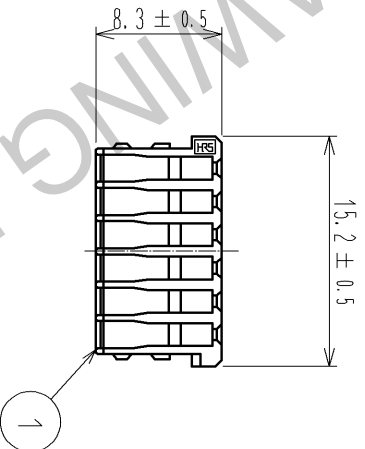
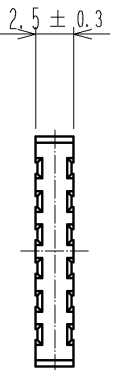
Tel: +86-755-8981 8866 Fax: +86-755-8427 6832

Email & Skype: info@chipsmall.com Web: www.chipsmall.com

Address: A1208, Overseas Decoration Building, #122 Zhenhua RD., Futian, Shenzhen, China



ELV, ROHS COMPLIANT



NOTE1. Use this products with housing.
Housing product No. : CL775-0037-0

1	PBT	DARK GRAY, UL94V-0							
NO.	MATERIAL	FINISH .	REMARKS	NO.	MATERIAL	FINISH .	REMARKS		
UNITS	SCALE	COUNT	DESCRIPTION OF REVISIONS		DESIGNED	CHECKED	DATE		
mm	2 : 1								
APPROVED : AR.SHIRAI			11.12.20	DRAWING NO.	EDC4-169044-00				
CHECKED : TY.TAKAHASHI			11.12.20	PART NO.	GT25-12DS-R				
DESIGNED : TY.SAKASHITA			11.12.20	CODE NO.	CL775-0041-8-00				
DRAWN : TY.SAKASHITA			11.12.20						

HRS HIROSE ELECTRIC CO., LTD.