



Chipsmall Limited consists of a professional team with an average of over 10 year of expertise in the distribution of electronic components. Based in Hongkong, we have already established firm and mutual-benefit business relationships with customers from,Europe,America and south Asia,supplying obsolete and hard-to-find components to meet their specific needs.

With the principle of “Quality Parts,Customers Priority,Honest Operation,and Considerate Service”,our business mainly focus on the distribution of electronic components. Line cards we deal with include Microchip,ALPS,ROHM,Xilinx,Pulse,ON,Everlight and Freescale. Main products comprise IC,Modules,Potentiometer,IC Socket,Relay,Connector.Our parts cover such applications as commercial,industrial, and automotives areas.

We are looking forward to setting up business relationship with you and hope to provide you with the best service and solution. Let us make a better world for our industry!



Contact us

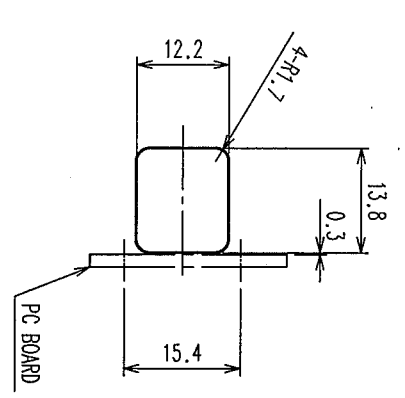
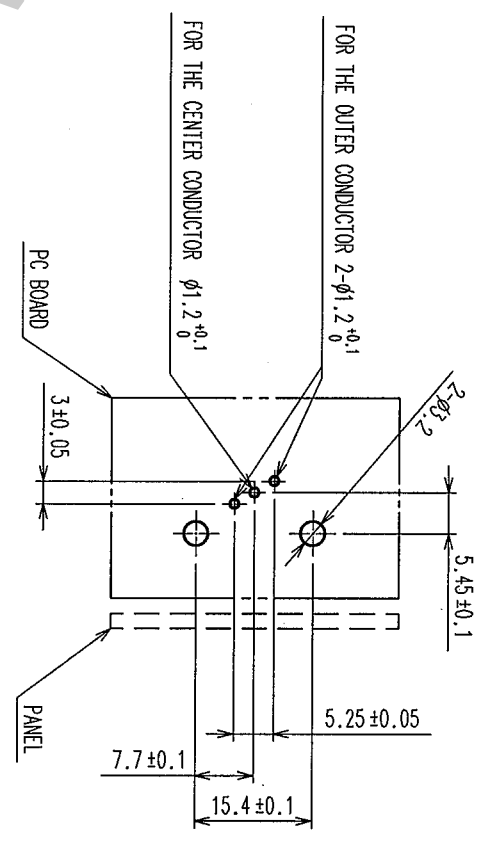
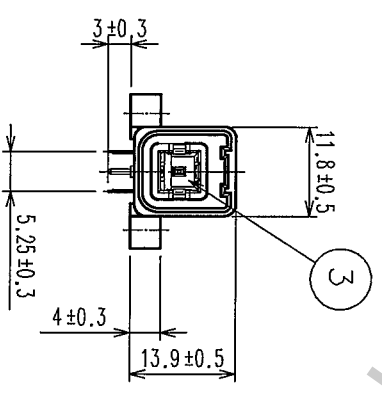
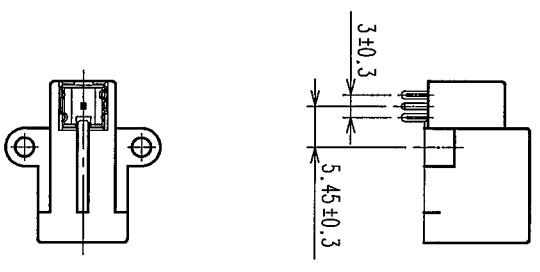
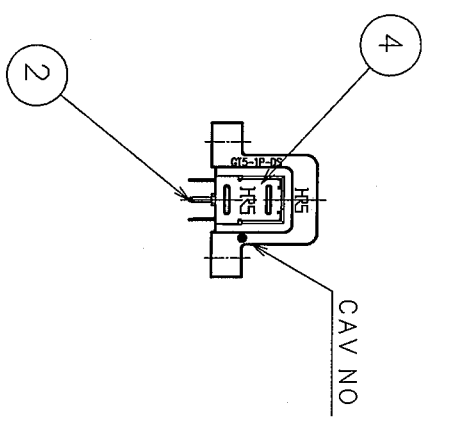
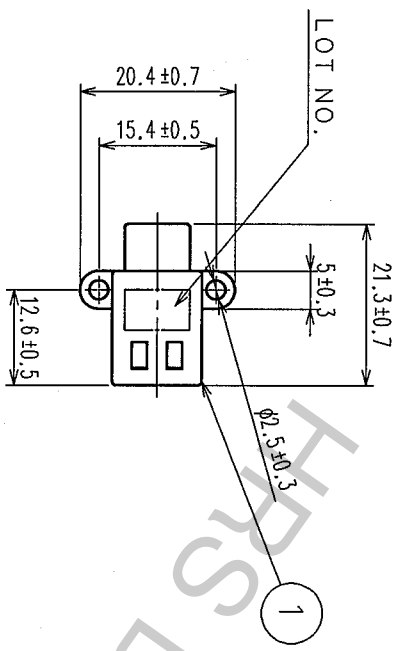
Tel: +86-755-8981 8866 Fax: +86-755-8427 6832

Email & Skype: info@chipsmall.com Web: www.chipsmall.com

Address: A1208, Overseas Decoration Building, #122 Zhenhua RD., Futian, Shenzhen, China

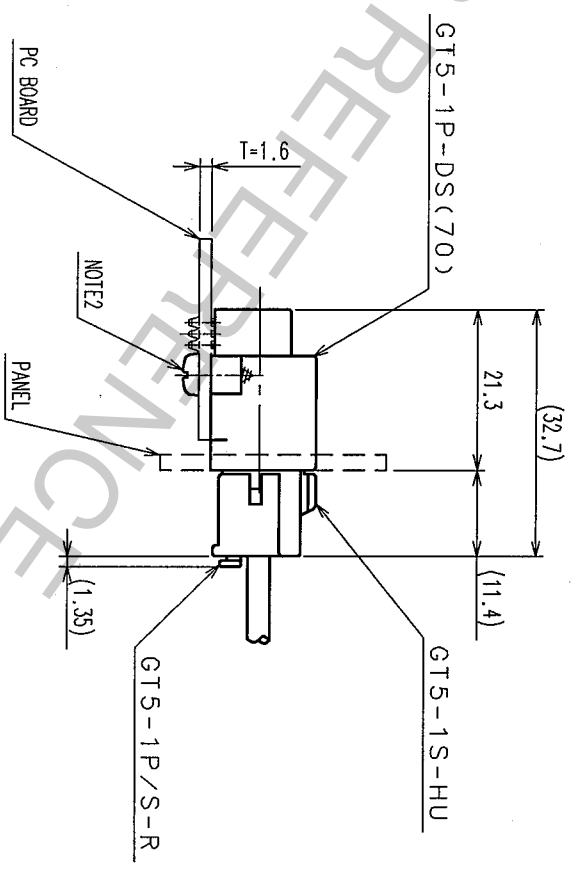


ELV. ROHS COMPLIANT



RECOMMENDED PC BOARD HOLE PATTERN

RECOMMENDED PANEL CUTOUT



NOTE1. DEPENDING ON THE CIRCUMSTANCES, RECESS OF WELDING SHALL BE ADDED TO MOLD TO PREVENT SINKAGE.
 2. FIXING SCREW SHALL BE NOMINAL DIAMETER 3mm, LENGTH 6mm IN ACCORDANCE WITH CLASS 1, 2, OR 4 OF JIS B1115, 1122.

COUNT	DESCRIPTION OF REVISIONS	BY	CHKD	DATE	COUNT	DESCRIPTION OF REVISIONS	BY	CHKD	DATE

2	BRASS	TIN PLATED	4	PHOSPHOR BRONZE	TIN PLATED
1	PBT	UL94V-0, LIGHT GRAY	3	PBT	UL94V-0, DARK GRAY
NO. MATERIAL		FINISH, REMARKS		FINISH, REMARKS	
CODE NO. (OLD) CL559-0112-9		DRAWN M. YAMAGUCHI 07.8.30		DESIGNED M. YAMAGUCHI 07.8.30	
SCALE 2 : 1		DRAWING NO. EDC3-071149-01		PART NO. GT5-1P-DS(70)	
UNITS MM		HRS HIROSE ELECTRIC CO., LTD		CODE NO. CL755-0007-5-70	
1/1					

TO
AMC

1 2 3 4 5 6 7 8

AMC