



Chipsmall Limited consists of a professional team with an average of over 10 year of expertise in the distribution of electronic components. Based in Hongkong, we have already established firm and mutual-benefit business relationships with customers from,Europe,America and south Asia,supplying obsolete and hard-to-find components to meet their specific needs.

With the principle of "Quality Parts,Customers Priority,Honest Operation,and Considerate Service",our business mainly focus on the distribution of electronic components. Line cards we deal with include Microchip,ALPS,ROHM,Xilinx,Pulse,ON,Everlight and Freescale. Main products comprise IC,Modules,Potentiometer,IC Socket,Relay,Connector.Our parts cover such applications as commercial,industrial, and automotives areas.

We are looking forward to setting up business relationship with you and hope to provide you with the best service and solution. Let us make a better world for our industry!



Contact us

Tel: +86-755-8981 8866 Fax: +86-755-8427 6832

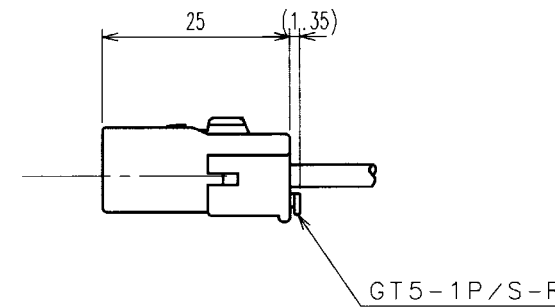
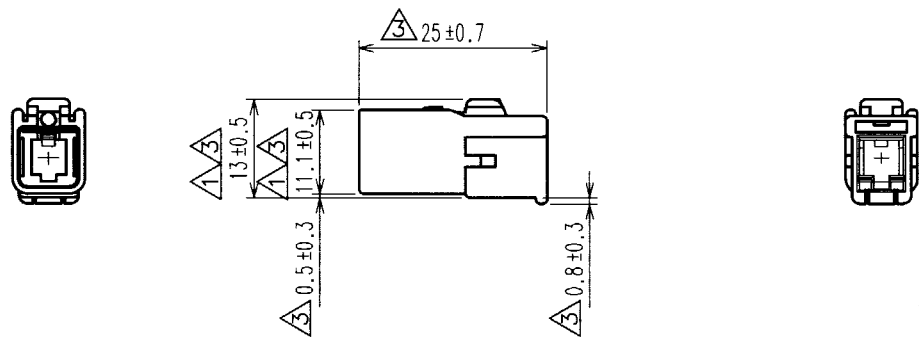
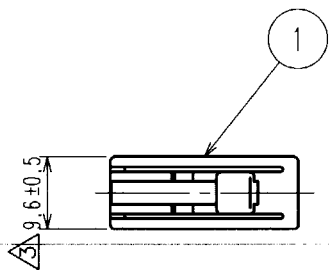
Email & Skype: info@chipsmall.com Web: www.chipsmall.com

Address: A1208, Overseas Decoration Building, #122 Zhenhua RD., Futian, Shenzhen, China



COUNT	DESCRIPTION OF REVISIONS	BY	CHKD	DATE	COUNT	DESCRIPTION OF REVISIONS	BY	CHKD	DATE
2	RE-H-0685	N.N	K.S	93.3.4					
1	RE-T-00501	S.K	K.S	01.2.21					
6	RE-T-00607	T.I	M.C	01.11.28					

NOTE1. THIS CONNECTOR SHALL BE USED WITH A RETAINER (CL755-0006-2).



CONNECTOR ASSEMBLED WITH A RETAINER

△ PECULIAR SPECIFICATION CHART

PART NO.	CL NO.	SPECIFICATION
GT5-1S-HU	755-0004-7	UL94V-0 LIGHT GRAY
GT5-1S-HU (20)	755-0004-7-20	UL94V-0 ORANGE
GT5-1S-HU (21)	755-0004-7-21	UL94V-0 BLUE
GT5-1S-HU (22)	755-0004-7-22	UL94HB WHITE
GT5-1S-HU (24)	755-0004-7-24	UL94V-0 BLACK

1	PBT				
NO.	MATERIAL	FINISH, REMARKS	NO.	MATERIAL	FINISH, REMARKS
CODE NO. (OLD) CL559-0107-9			DRAWN	DESIGNED	CHECKED
			N.NAKATA	N.NAKATA	K.SATO
			92.8.29	92.8.29	92.11.5
			APPROVED	RELEASED	
			M.YAMAMOTO	92.11.5	
DRAWING NO. EDC3-084957		PART NO. GT5-1S-HU			
SCALE 1 : 1		CODE NO. CL755-0004-7		1/1	
UNITS mm		HRS HIROSE ELECTRIC CO., LTD			

HRS DRAWING FOR REFERENCE

TO