



Chipsmall Limited consists of a professional team with an average of over 10 year of expertise in the distribution of electronic components. Based in Hongkong, we have already established firm and mutual-benefit business relationships with customers from,Europe,America and south Asia,supplying obsolete and hard-to-find components to meet their specific needs.

With the principle of “Quality Parts,Customers Priority,Honest Operation,and Considerate Service”,our business mainly focus on the distribution of electronic components. Line cards we deal with include Microchip,ALPS,ROHM,Xilinx,Pulse,ON,Everlight and Freescale. Main products comprise IC,Modules,Potentiometer,IC Socket,Relay,Connector.Our parts cover such applications as commercial,industrial, and automotives areas.

We are looking forward to setting up business relationship with you and hope to provide you with the best service and solution. Let us make a better world for our industry!



Contact us

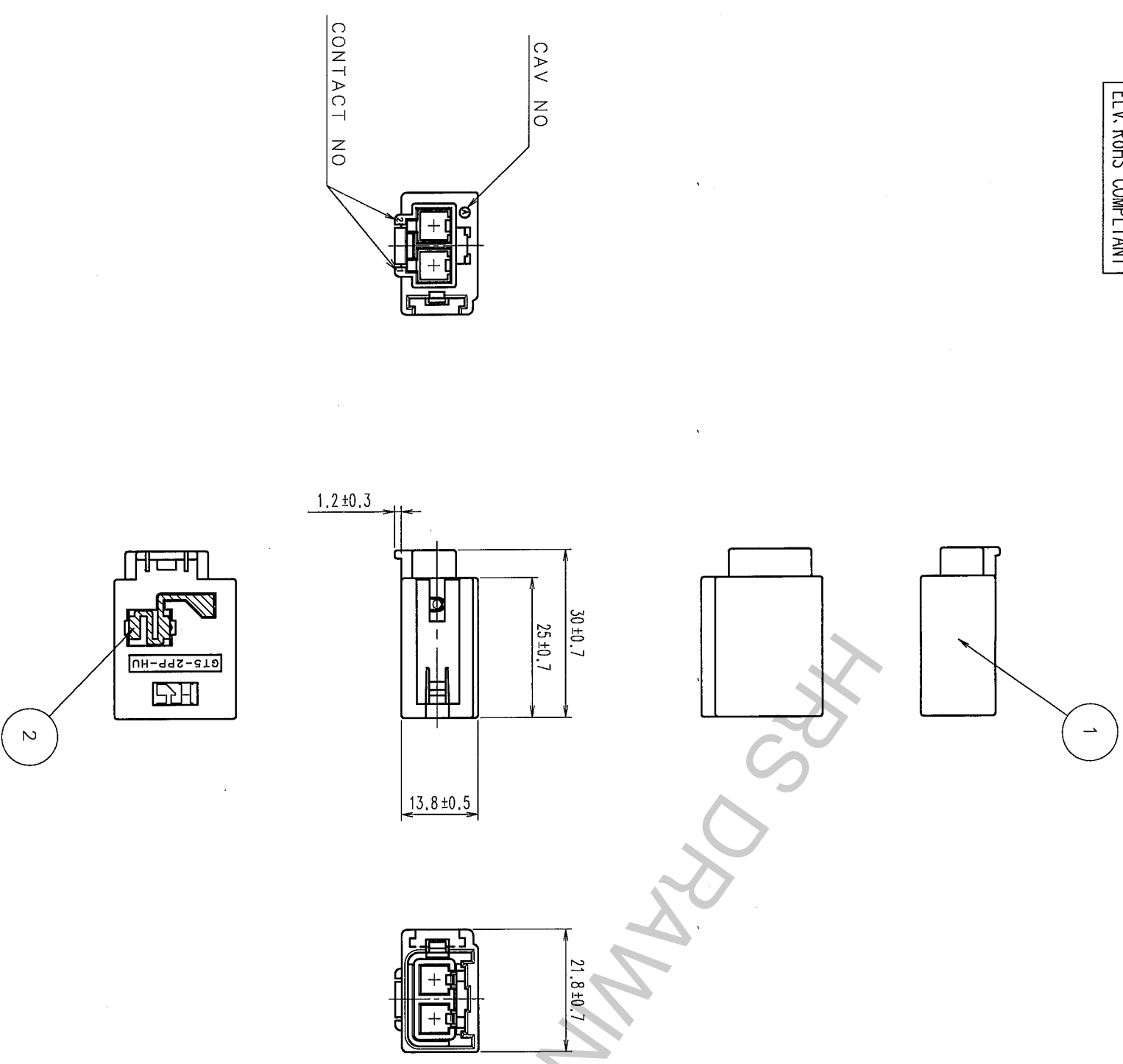
Tel: +86-755-8981 8866 Fax: +86-755-8427 6832

Email & Skype: info@chipsmall.com Web: www.chipsmall.com

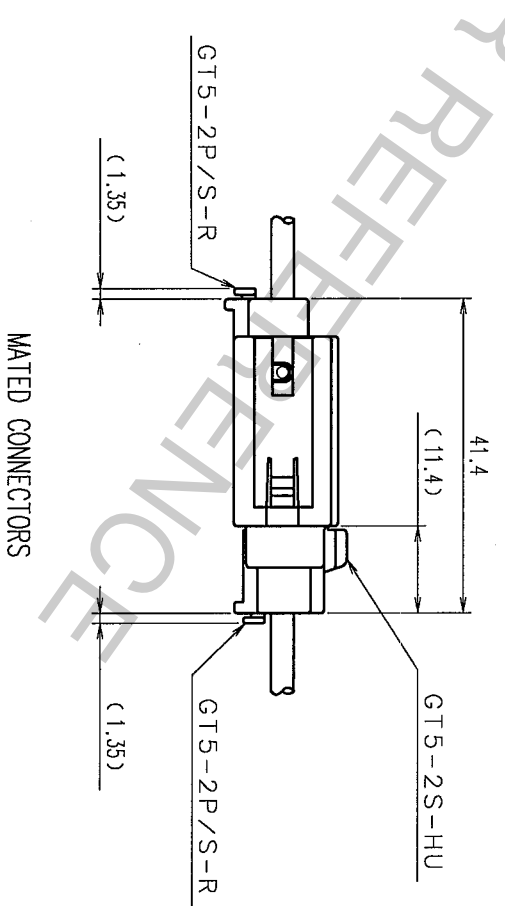
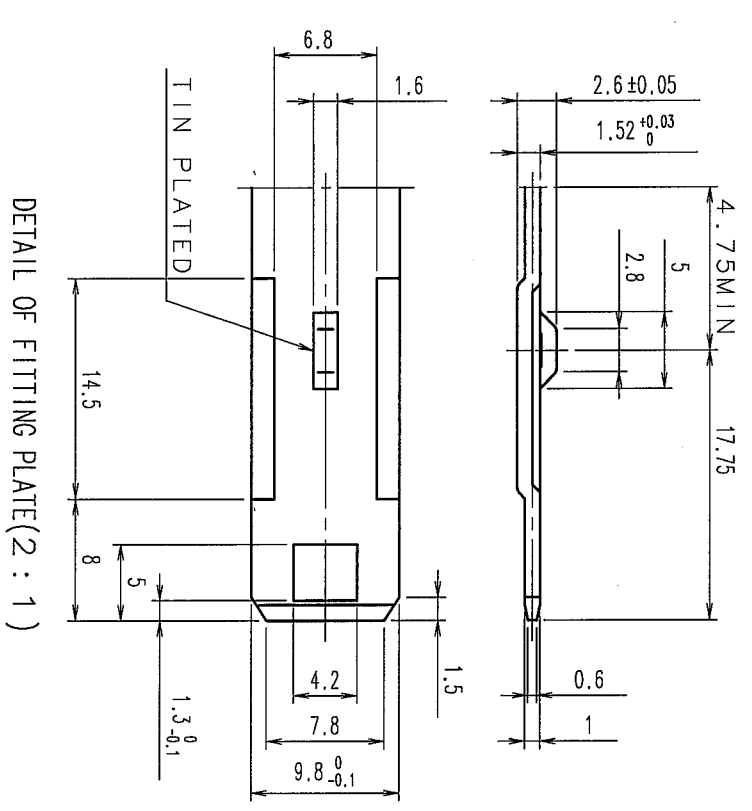
Address: A1208, Overseas Decoration Building, #122 Zhenhua RD., Futian, Shenzhen, China



ELV, RoHS COMPLIANT



COUNT	DESCRIPTION OF REVISIONS	BY	CHKD	DATE	COUNT	DESCRIPTION OF REVISIONS	BY	CHKD	DATE



NOTE 1. THIS CONNECTOR SHALL BE USED WITH A RETAINER (CL755-0046-7).

NO.	PBT MATERIAL	UL94HB, LIGHT GRAY	NO.	PHOSPHOR BRONZE TIN PLATED, T=0.3
1	PBT	UL94HB, LIGHT GRAY	2	PHOSPHOR BRONZE TIN PLATED, T=0.3
MATERIAL		FINISH, REMARKS	MATERIAL	
CODE NO. (OLD)			FINISH, REMARKS	
DRAWN		T. KUBOTA '07.4.26	DESIGNED	
CHECKED		K. Kato '09.4.27	CHECKED	
APPROVED		K. Kato '09.4.27	APPROVED	
RELEASED			RELEASED	
DRAWING NO.		EDC3-165328-01	PART NO.	
SCALE		1 : 1	GT5-2PP-HU (70)	
UNITS		MM	CODE NO.	
HRS		HIROSE ELECTRIC CO., LTD.	CL755-0045-4-70	
			1/1	

TO	AMC

1 2 3 4 5 6 7 8