



Chipsmall Limited consists of a professional team with an average of over 10 year of expertise in the distribution of electronic components. Based in Hongkong, we have already established firm and mutual-benefit business relationships with customers from,Europe,America and south Asia,supplying obsolete and hard-to-find components to meet their specific needs.

With the principle of "Quality Parts,Customers Priority,Honest Operation,and Considerate Service",our business mainly focus on the distribution of electronic components. Line cards we deal with include Microchip,ALPS,ROHM,Xilinx,Pulse,ON,Everlight and Freescale. Main products comprise IC,Modules,Potentiometer,IC Socket,Relay,Connector.Our parts cover such applications as commercial,industrial, and automotives areas.

We are looking forward to setting up business relationship with you and hope to provide you with the best service and solution. Let us make a better world for our industry!



Contact us

Tel: +86-755-8981 8866 Fax: +86-755-8427 6832

Email & Skype: info@chipsmall.com Web: www.chipsmall.com

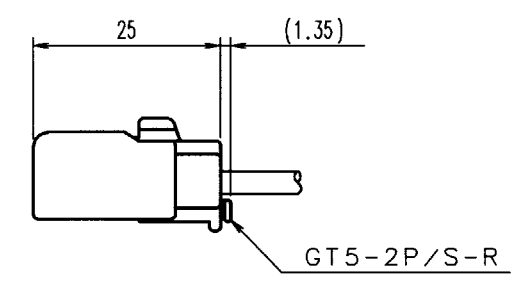
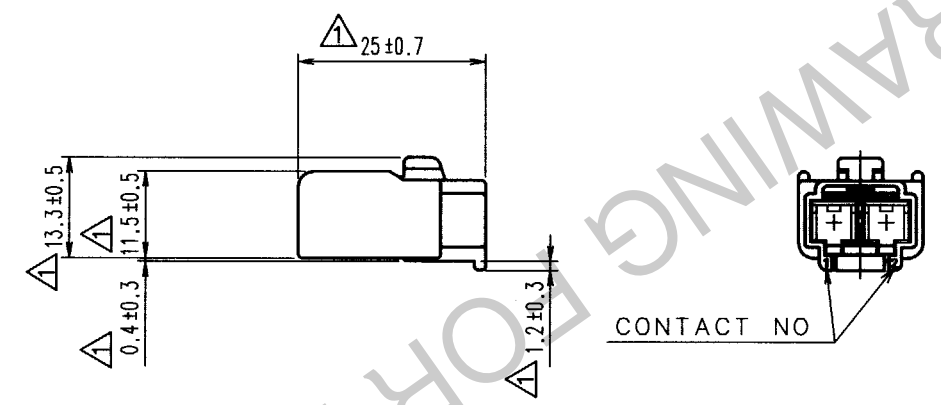
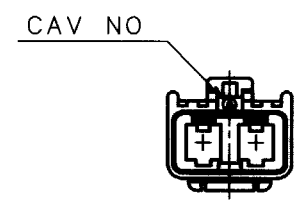
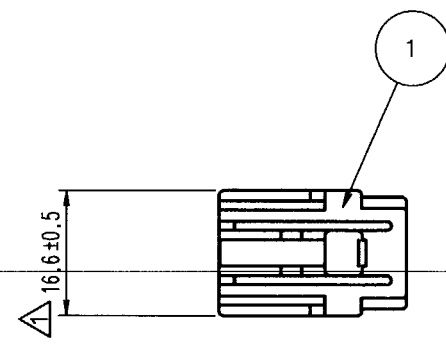
Address: A1208, Overseas Decoration Building, #122 Zhenhua RD., Futian, Shenzhen, China



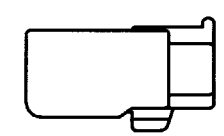
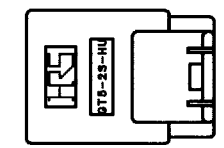
COUNT	DESCRIPTION OF REVISIONS	BY	CHKD	DATE	COUNT	DESCRIPTION OF REVISIONS	BY	CHKD	DATE
6	RE-T-00607	T.I	M.O	2011.11.28					

PECULIAR SPECIFICATION CHART

PART NO	CLNo.	SPECIFICATION
GT5-2S-HU	755-0044-1	UL94HB LIGHT GRAY
GT5-2S-HU (20)	755-0044-1-20	UL94HB ORANGE
GT5-2S-HU (21)	755-0044-1-21	UL94HB BLUE



CONNECTOR ASSEMBLED WITH A RETAINER



TO

NOTE1. THIS CONNECTOR SHALL BE USED WITH A RETAINER (CL755-0046-7).

NO.	MATERIAL	FINISH, REMARKS	NO.	MATERIAL	FINISH, REMARKS
1	PBT				
CODE NO. (OLD)			DRAWN	DESIGNED	CHECKED
			T.IKEDA	T.IKEDA	N.NAKATA
			'98.11.20	'98.11.20	'98.12.1
					K.SATO
					'98.12.4
					..
DRAWING NO.			PART NO.		
EDC3-165327			GT5-2S-HU		
SCALE			CODE NO.		
1 : 1			CL755-0044-1		
UNITS			1/1		
mm					

