



Chipsmall Limited consists of a professional team with an average of over 10 year of expertise in the distribution of electronic components. Based in Hongkong, we have already established firm and mutual-benefit business relationships with customers from,Europe,America and south Asia,supplying obsolete and hard-to-find components to meet their specific needs.

With the principle of “Quality Parts,Customers Priority,Honest Operation,and Considerate Service”,our business mainly focus on the distribution of electronic components. Line cards we deal with include Microchip,ALPS,ROHM,Xilinx,Pulse,ON,Everlight and Freescale. Main products comprise IC,Modules,Potentiometer,IC Socket,Relay,Connector.Our parts cover such applications as commercial,industrial, and automotives areas.

We are looking forward to setting up business relationship with you and hope to provide you with the best service and solution. Let us make a better world for our industry!



## Contact us

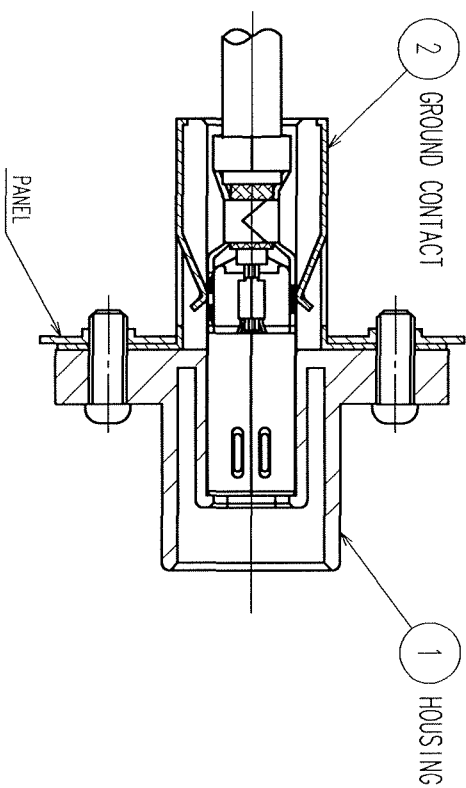
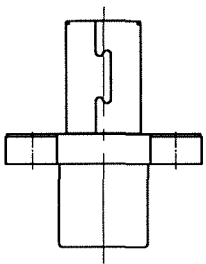
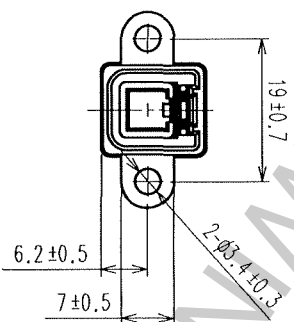
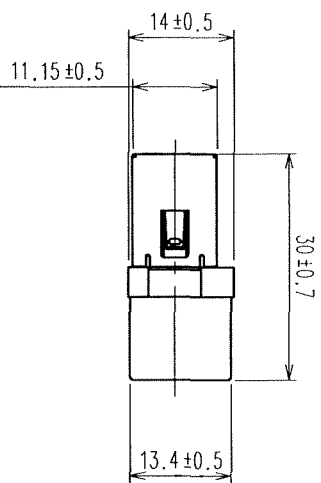
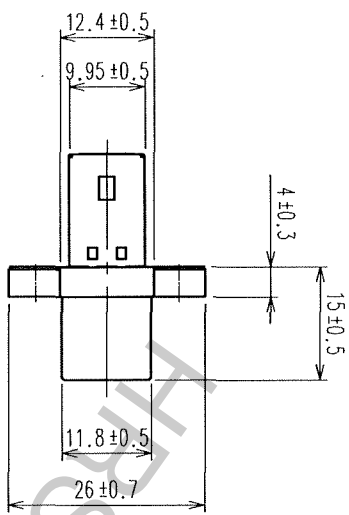
Tel: +86-755-8981 8866 Fax: +86-755-8427 6832

Email & Skype: info@chipsmall.com Web: www.chipsmall.com

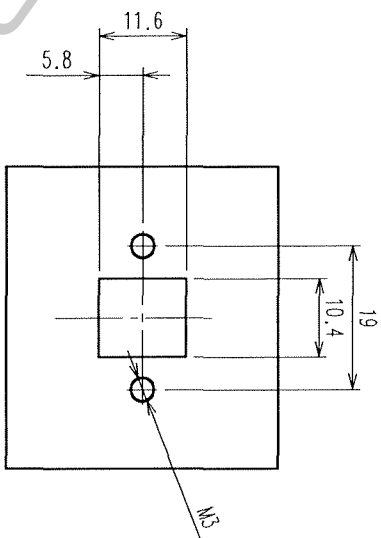
Address: A1208, Overseas Decoration Building, #122 Zhenhua RD., Futian, Shenzhen, China



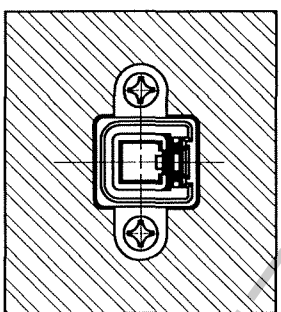
ELV. RoHS COMPLIANT



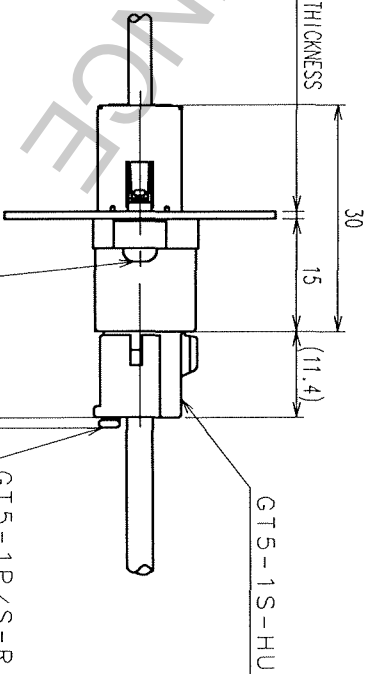
CUT SECTION INSERTED CONTACT ( 2 : 1 )



RECOMMENDED PANEL CUT OUT



FIXED CONNECTOR ON THE PANEL



MATED CONNECTORS

NOTE1. FIXING SCREWS IS07045, 1580 SHALL BE FOR THIS PRODUCT.

COUNT	DESCRIPTION OF REVISIONS	BY	CHKD	DATE	COUNT	DESCRIPTION OF REVISIONS	BY	CHKD	DATE

NO.	PRT	MATERIAL	FINISH, REMARKS	NO.	BRASS	TIN PLATED, T=0.4
1	PRT			2	BRASS	
CODE NO. (OLD)				MATERIAL		FINISH, REMARKS
DRAWING NO.		EDC3-165060-01		PART NO.		GT5A-1PP-HU (70)
SCALE		1 : 1		DRAWN		S.KURIYA '06.12.28
UNITS		MM		DESIGNED		N.NAKATA '94.3.1
				CHECKED		K. Sato '06.12.28
				APPROVED		K. Sato '06.12.28
				RELEASED		
DRAWING NO.		EDC3-165060-01		CODE NO.		CL755-0025-7-70
UNITS		MM		HRS		HIROSE ELECTRIC CO., LTD

TO