



Chipsmall Limited consists of a professional team with an average of over 10 year of expertise in the distribution of electronic components. Based in Hongkong, we have already established firm and mutual-benefit business relationships with customers from,Europe,America and south Asia,supplying obsolete and hard-to-find components to meet their specific needs.

With the principle of "Quality Parts,Customers Priority,Honest Operation,and Considerate Service",our business mainly focus on the distribution of electronic components. Line cards we deal with include Microchip,ALPS,ROHM,Xilinx,Pulse,ON,Everlight and Freescale. Main products comprise IC,Modules,Potentiometer,IC Socket,Relay,Connector.Our parts cover such applications as commercial,industrial, and automotives areas.

We are looking forward to setting up business relationship with you and hope to provide you with the best service and solution. Let us make a better world for our industry!



## Contact us

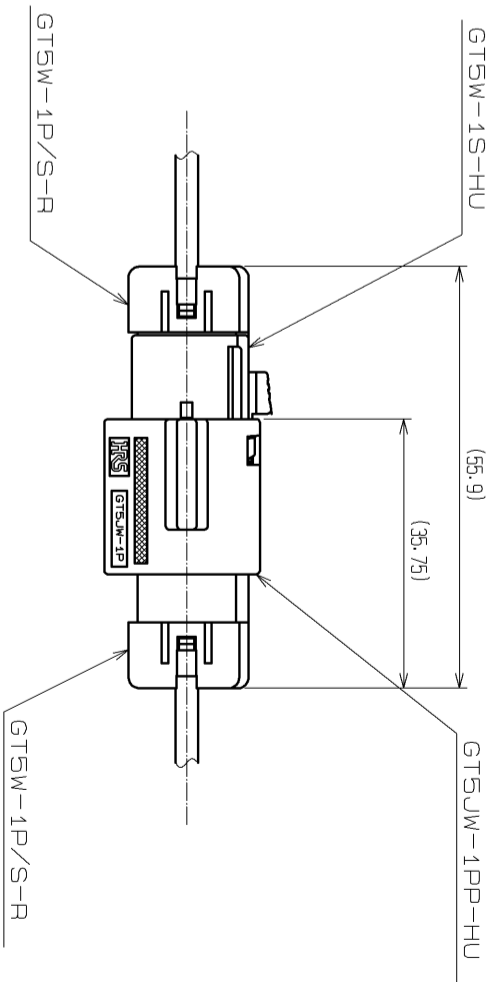
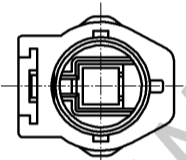
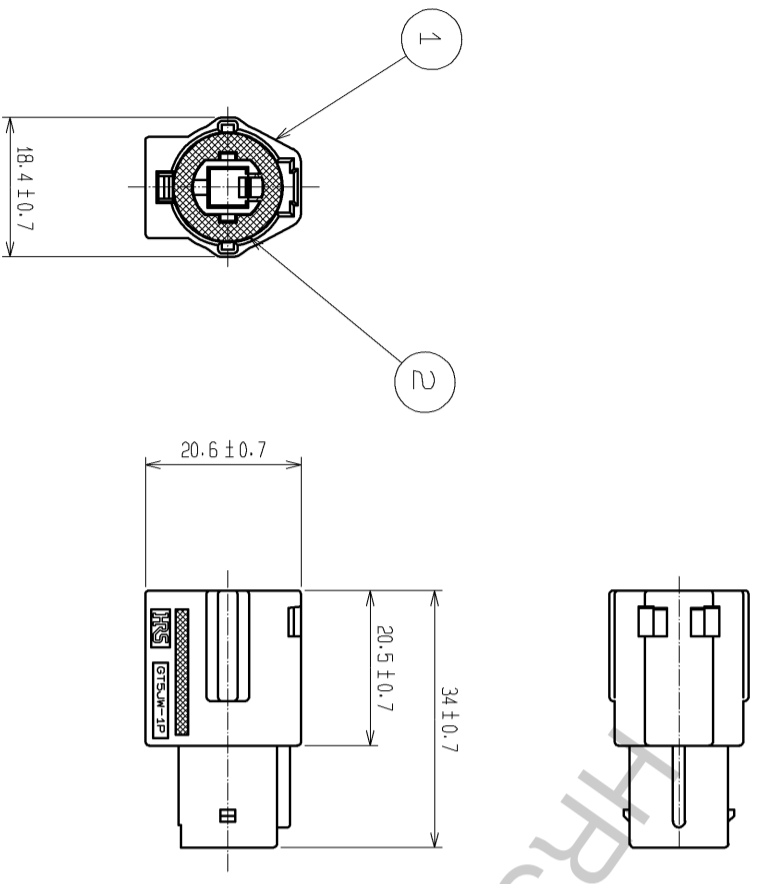
Tel: +86-755-8981 8866 Fax: +86-755-8427 6832

Email & Skype: info@chipsmall.com Web: www.chipsmall.com

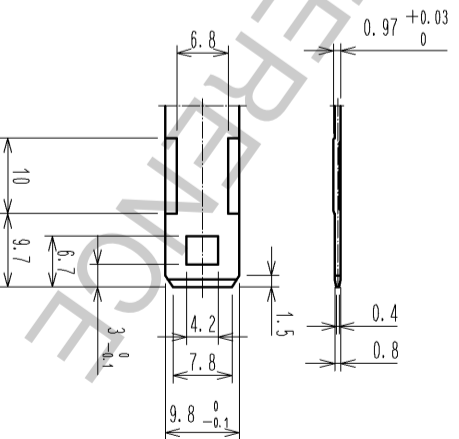
Address: A1208, Overseas Decoration Building, #122 Zhenhua RD., Futian, Shenzhen, China



ELV, RoHS COMPLIANT



MATED CONNECTORS



△ DETAIL OF RECOMMENDED FITTING PLATE

NOTE1. THIS CONNECTOR SHALL BE USED WITH A RETAINER  
 APPLICABLE TO CABLE SIZE.

1	PBT-M	LIGHT GRAY	2	SILICONE RUBBER	WHITE
NO.	MATERIAL	FINISH . REMARKS	NO.	MATERIAL	FINISH . REMARKS
UNITS	SCALE	COUNT	DESCRIPTION OF REVISIONS	DESIGNED	CHECKED
mm	1 : 1	1	DIS-T-001001	MH. YAMAGUCHI	MO. OKADA
			APPROVED : KS. SATOH	05.01.05	DRAWING
			CHECKED : NH. NAKATA	05.01.05	PART
			DESIGNED : TS. KUBOTA	05.01.05	NO.
			DRAWN : MO. OKADA	05.01.05	NO.
					EDC3-165491-00
					GT5JW-1PP-HU
					CL755-0069-2-00