



Chipsmall Limited consists of a professional team with an average of over 10 year of expertise in the distribution of electronic components. Based in Hongkong, we have already established firm and mutual-benefit business relationships with customers from,Europe,America and south Asia,supplying obsolete and hard-to-find components to meet their specific needs.

With the principle of “Quality Parts,Customers Priority,Honest Operation,and Considerate Service”,our business mainly focus on the distribution of electronic components. Line cards we deal with include Microchip,ALPS,ROHM,Xilinx,Pulse,ON,Everlight and Freescale. Main products comprise IC,Modules,Potentiometer,IC Socket,Relay,Connector.Our parts cover such applications as commercial,industrial, and automotives areas.

We are looking forward to setting up business relationship with you and hope to provide you with the best service and solution. Let us make a better world for our industry!



Contact us

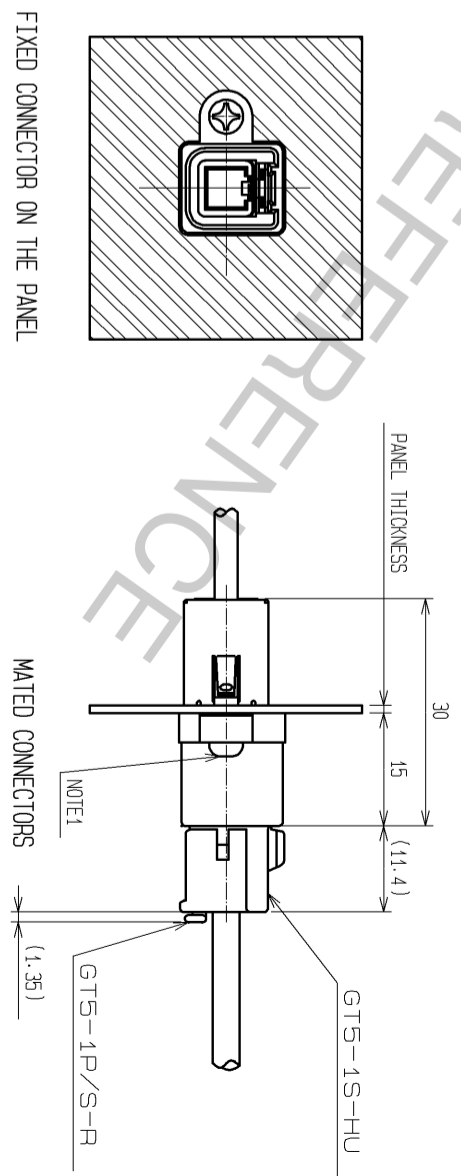
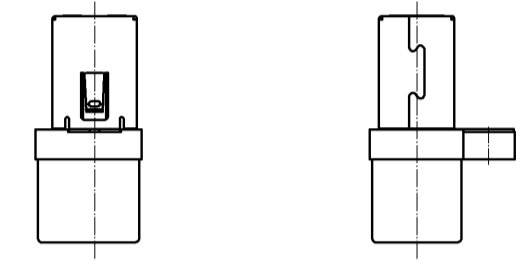
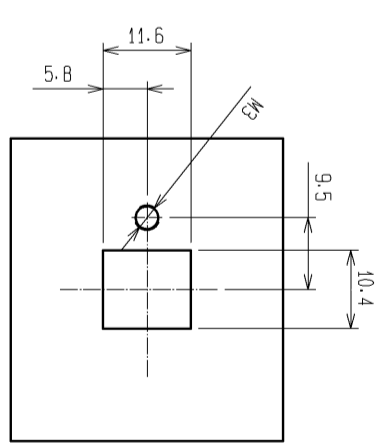
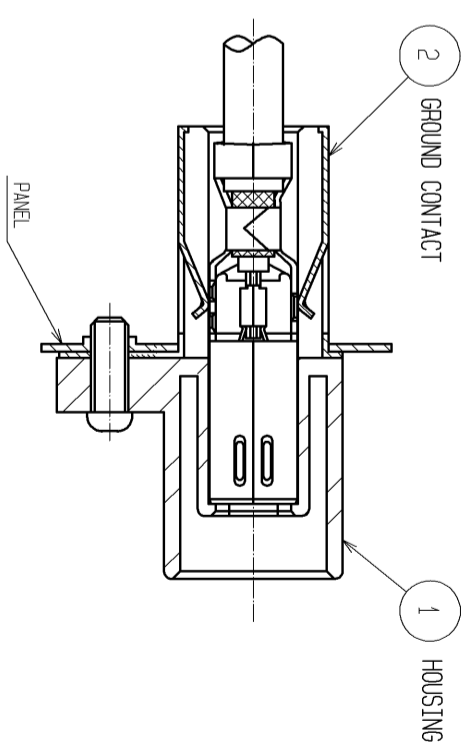
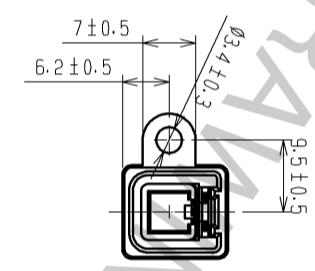
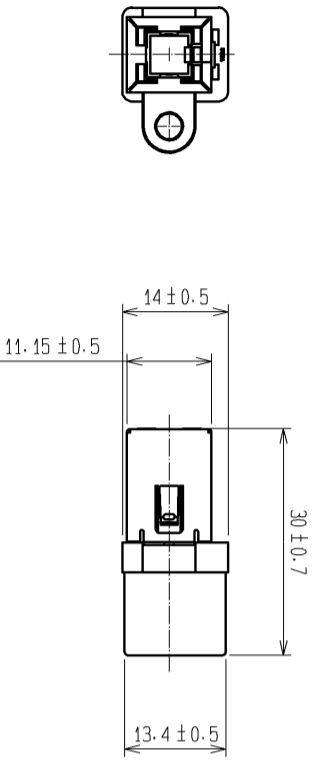
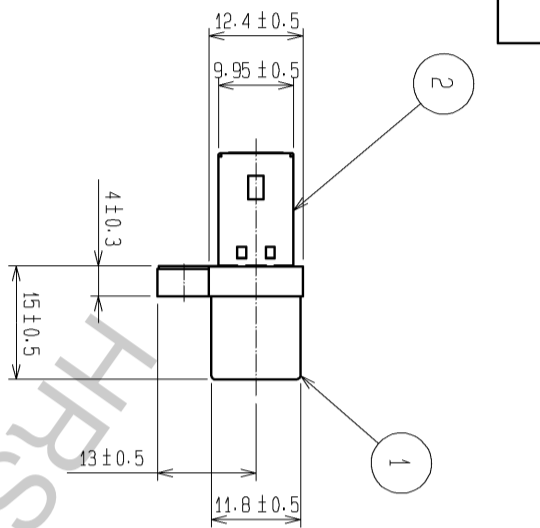
Tel: +86-755-8981 8866 Fax: +86-755-8427 6832

Email & Skype: info@chipsmall.com Web: www.chipsmall.com

Address: A1208, Overseas Decoration Building, #122 Zhenhua RD., Futian, Shenzhen, China



ELV · ROHS COMPLIANT



NOTE1. FIXING SCREWS M3 OF JIS B1111.1101 SHALL BE USED FOR THIS PRODUCT.

1	PBT	LIGHT GRAY	2	BRASS	TIN PLATED. T=0.4
NO.	MATERIAL	FINISH . REMARKS	NO.	MATERIAL	FINISH . REMARKS
UNITS	SCALE	COUNT	DESCRIPTION OF REVISIONS	DESIGNED	CHECKED
mm	1 : 1				DATE
APPROVED : K.S. SATOH		08.06.11		DRAWING NO.	
CHECKED : NH. NAKATA		08.06.10		EDC3-165185-01	
DESIGNED : MO. OKADA		08.06.09		PART NO.	
DRAWN : MH. SHOUJI		08.05.22		GT5P-1PP-HU(70)	
				CODE	
				CL755-0030-7-70	
				NO.	
				1	