



Chipsmall Limited consists of a professional team with an average of over 10 year of expertise in the distribution of electronic components. Based in Hongkong, we have already established firm and mutual-benefit business relationships with customers from,Europe,America and south Asia,supplying obsolete and hard-to-find components to meet their specific needs.

With the principle of “Quality Parts,Customers Priority,Honest Operation,and Considerate Service”,our business mainly focus on the distribution of electronic components. Line cards we deal with include Microchip,ALPS,ROHM,Xilinx,Pulse,ON,Everlight and Freescale. Main products comprise IC,Modules,Potentiometer,IC Socket,Relay,Connector.Our parts cover such applications as commercial,industrial, and automotives areas.

We are looking forward to setting up business relationship with you and hope to provide you with the best service and solution. Let us make a better world for our industry!



Contact us

Tel: +86-755-8981 8866 Fax: +86-755-8427 6832

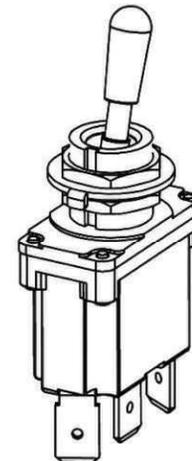
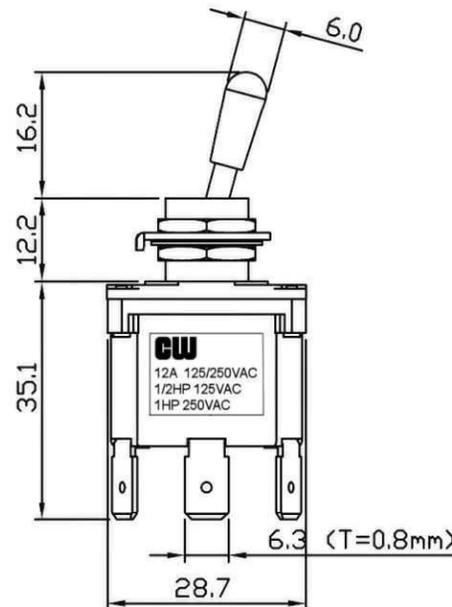
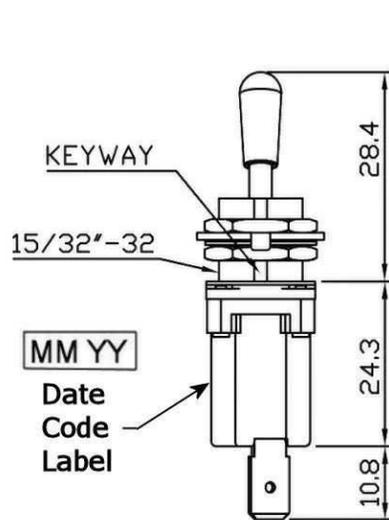
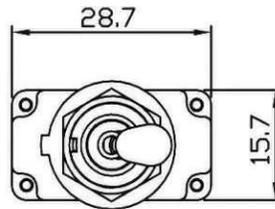
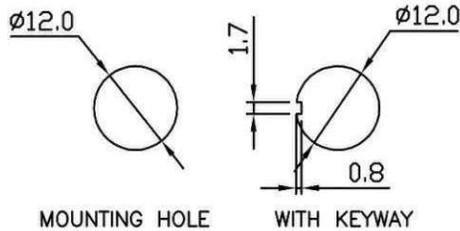
Email & Skype: info@chipsmall.com Web: www.chipsmall.com

Address: A1208, Overseas Decoration Building, #122 Zhenhua RD., Futian, Shenzhen, China



SPECIFICATION:

Contact resistance: 20m ohm max. (initial)
 Insulation resistance: 100M ohm min. (at 500V DC)
 Dielectric strength: 1,500V AC 50/60 Hz for 1 minute
 Service life: Mechanically: 100,000 operations min.
 Electrically: 30,000 operations min.
 Rating: 12A 125V AC / 250V AC
 1/2 HP 125VAC / 1HP 250VAC / 5A 125VAC "L"
 Function: (ON) - ON SPDT
 KEYWAY POSITION
 Actuator: Brass / Dull Nickel Plated
 Waterproof rating: IP68



() = Momentary Function

RoHS Compliant

CW INDUSTRIES
 Southampton, Pa. 18966
 Tel 215.355.7080/www.cwind.com

Date Drawn: 3-23-12

Rev. 0

Unit: mm

Checked By: *G. Gold*

Title:
TOGGLE SWITCH

CW P/N:
GTB2B18