



Chipsmall Limited consists of a professional team with an average of over 10 year of expertise in the distribution of electronic components. Based in Hongkong, we have already established firm and mutual-benefit business relationships with customers from,Europe,America and south Asia,supplying obsolete and hard-to-find components to meet their specific needs.

With the principle of “Quality Parts,Customers Priority,Honest Operation,and Considerate Service”,our business mainly focus on the distribution of electronic components. Line cards we deal with include Microchip,ALPS,ROHM,Xilinx,Pulse,ON,Everlight and Freescale. Main products comprise IC,Modules,Potentiometer,IC Socket,Relay,Connector.Our parts cover such applications as commercial,industrial, and automotives areas.

We are looking forward to setting up business relationship with you and hope to provide you with the best service and solution. Let us make a better world for our industry!



Contact us

Tel: +86-755-8981 8866 Fax: +86-755-8427 6832

Email & Skype: info@chipsmall.com Web: www.chipsmall.com

Address: A1208, Overseas Decoration Building, #122 Zhenhua RD., Futian, Shenzhen, China



SPECIFICATION FOR APPROVAL

Customer:

Description:	EC FAN		
Customer P/N:		REV:	
Delta Model NO.:	GTB036PUD25R N1	Safety Model NO.:	GTB036PUD25
Sample Rev:	X02	Issue NO:	
Sample Issue Date:		Quantity:	

1. SCOPE:

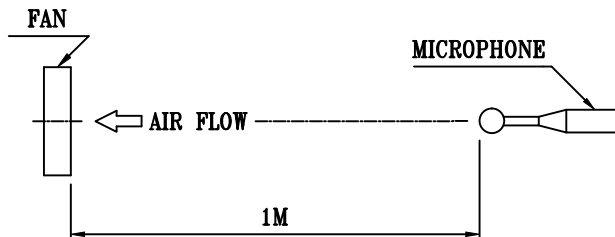
THIS SPECIFICATION DEFINES THE ELECTRICAL AND MECHANICAL CHARACTERISTICS OF THIS CENTRIFUGAL FAN.

2. NOMINAL DATA:

UNLESS SPECIFIED, ALL READINGS AND TESTS ARE BASED ON 25 DEG C, 65% RH.

ITEM	DESCRIPTION
NOMINAL VOLTAGE	3 ϕ 400 VAC 50/60Hz
NOMINAL VOLTAGE RANGE	3 ϕ 380 - 480 VAC
INPUT POWER @ FREE-AIR	648 W
INPUT POWER @ MAX. LOAD	1000 W
INPUT CURRENT (MAX.)	1.75 A
SPEED	2200 R.P.M. (REF.)
MAX. AIR FLOW (AT ZERO STATIC PRESSURE)	5189 (MIN.4670) M ³ /H 3054 (MIN.2749) CFM
MAX. AIR PRESSURE (AT ZERO AIR FLOW)	829.5 (MIN.671.9) Pa 3.330 (MIN.2.697) inchH ₂ O
ACOUSTICAL NOISE (AVG.) @ FREE-AIR	80.0 (MAX 85.0) dB(A)

- NOTES: 1. ALL READINGS ARE MEASURED AFTER STABLY WARMING UP THROUGH 10 MINUTES.
 2. THE VALUES WRITTEN IN PARENS , (), ARE LIMITED SPEC.
 3. ACOUSTICAL NOISE MEASURING CONDITION:



NOISE IS MEASURED AT NOMINAL VOLTAGE IN FREE AIR IN ANECHOIC CHAMBER WITH B & K SOUND LEVEL METER WITH MICROPHONE AT A DISTANCE OF ONE METER FROM THE FAN INTAKE.

PART NO:

DELTA MODEL: GTB036PUD25R N1

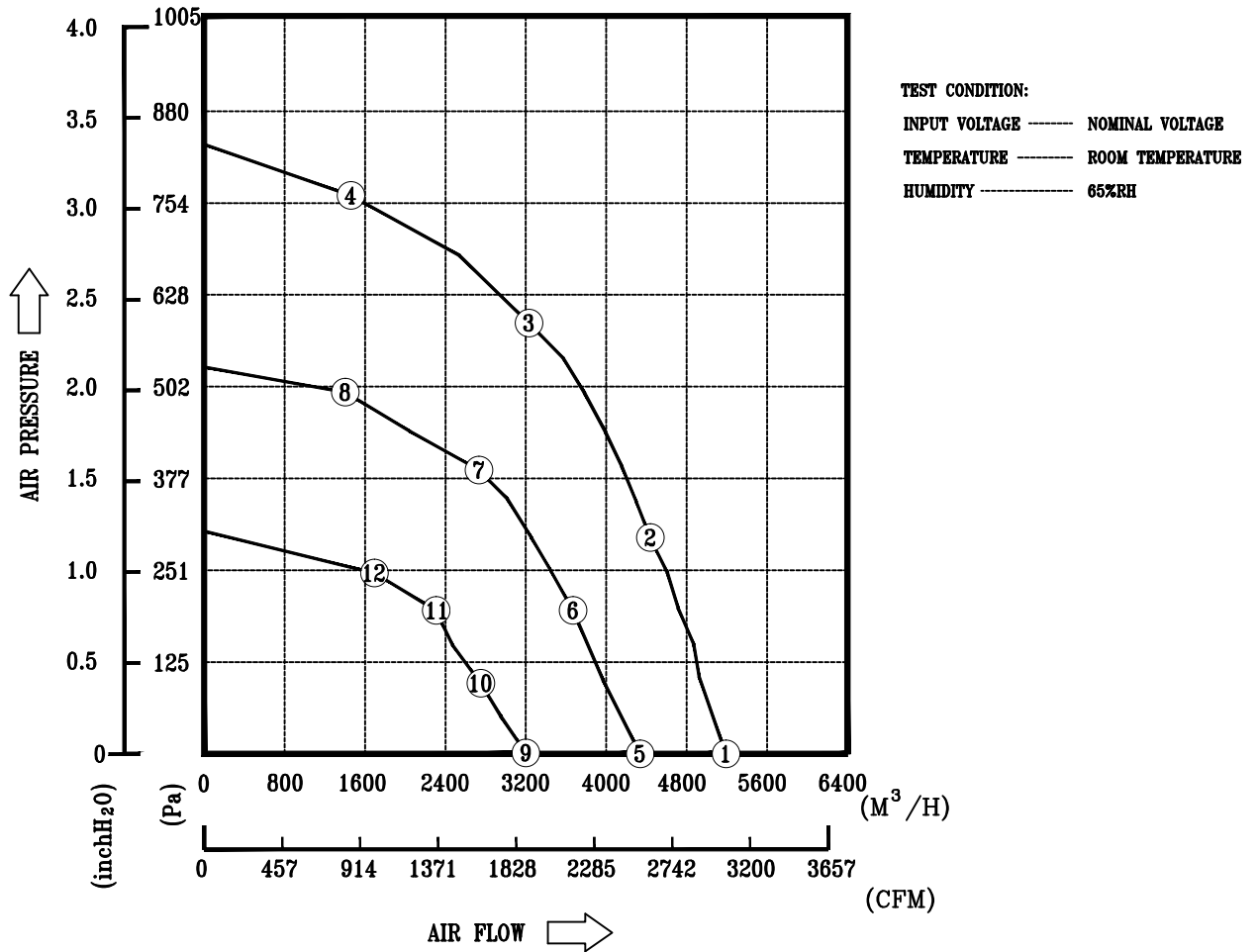
3. FEATURES:

DIRECTION OF ROTATION	CLOCKWISE, SEEN ON ROTOR
BEARING SYSTEM	BALL BEARINGS
WEIGHT	11.1 K.G. (REF.)
MATERIAL OF ELECTRONICS HOUSING	DIE-CAST ALUMINUM
MATERIAL OF IMPELLER	ALUMINUM SHEET
ELECTRICAL LEADS	VIA TERMINAL BLOCK
MOTOR PROTECTION	OVER TEMPERATURE PROTECTED
LEAKAGE CURRENT	$\leq 3.5 \text{ mA}$
INSULATION CLASS	B
TYPE OF PROTECTION	IP54
PROTECTION CLASS	I
POWER FACTOR CORRECTION	PASSIVE
OPERATING TEMPERATURE	$-25 \sim +60 \text{ }^\circ\text{C}$ (REF.)
STORAGE TEMPERATURE	$-40 \sim +70 \text{ }^\circ\text{C}$ (REF.)
EMC	EN61000-6-2/3 , EN61000-3-2/3
SAFETY	UL, cUL & TUV
LIFE EXPECTANCE	* 60,000 HOURS CONTINOUS OPERATION AT $40 \text{ }^\circ\text{C}$ WITH $15 \sim 65 \text{ \%RH}$.
FUNCTIONS	- CONTROL INPUT 0-10VDC or PWM PATTERN or 4-20mA - OUTPUT +10VDC($\pm 10\%$), max. 10mA - CONTROL VOLTAGE OUTPUT, 0-10VDC - RS485 CONTROL BUS - ALARM RELAY, LOCKED ROTOR PROTECTION, SOFT START - SPEED TELLING, FREQUENCY GENERATOR SIGNAL - VOLTAGE/CURRENT MONITORING

PART NO:

DELTA MODEL: GTB036PUD25R N1

4. P & Q CURVE:



MEASURED DATA:

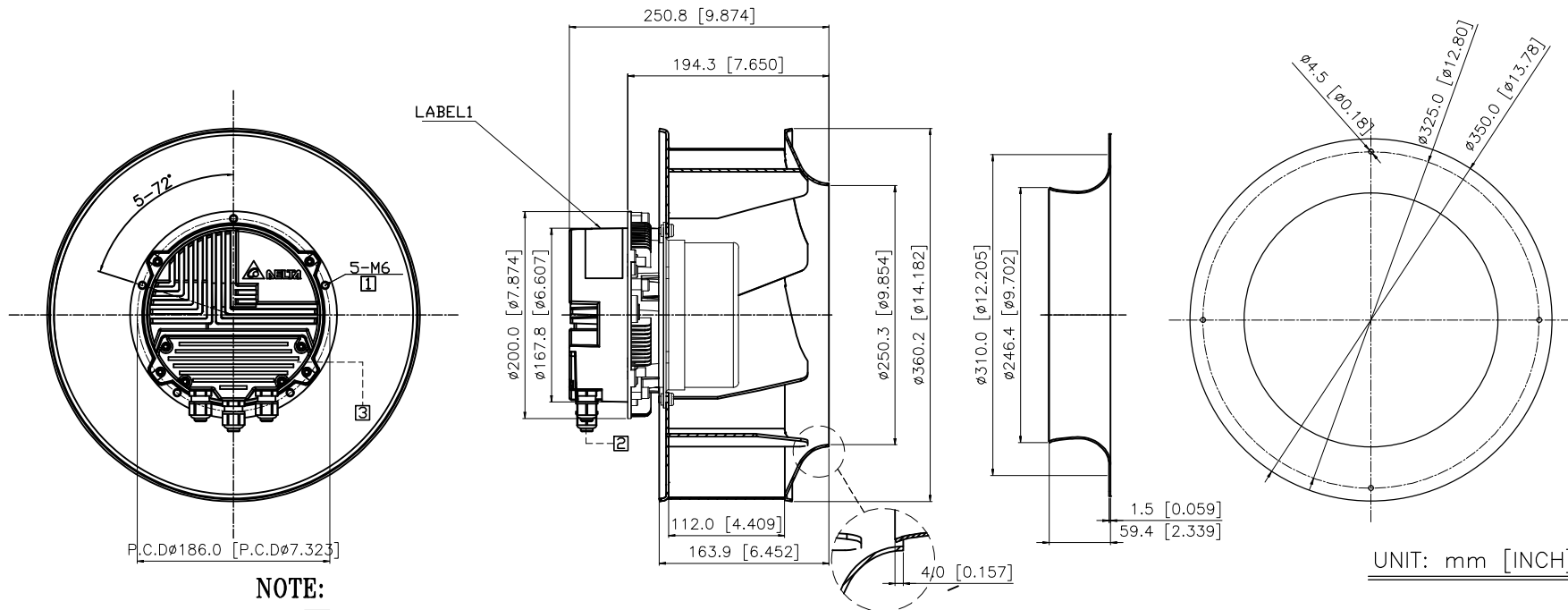
	P	Q	N	P1	I	Lp
	[Pa]	[M³/H]	[R.P.M.]	[W]	[A]	[dB(A)]
1	0	5189	2200	648	1.16	80.0
2	294.3	4438	2200	964	1.69	
3	586.6	3230	2200	970	1.70	
4	760.3	1459	2200	744	1.31	
5	0	4336	1756	397	0.81	75.0
6	195.2	3669	1762	500	0.96	
7	386.5	2733	1748	535	1.00	
8	492.5	1403	1760	436	0.86	
9	0	3206	1316	172	0.39	73.0
10	96.1	2752	1311	203	0.45	
11	195.2	2306	1331	235	0.50	
12	246.2	1693	1337	229	0.49	

PART NO:

DELTA MODEL: GTB036PUD25R N1

5. DIMENSION DRAWING:

LABEL 1



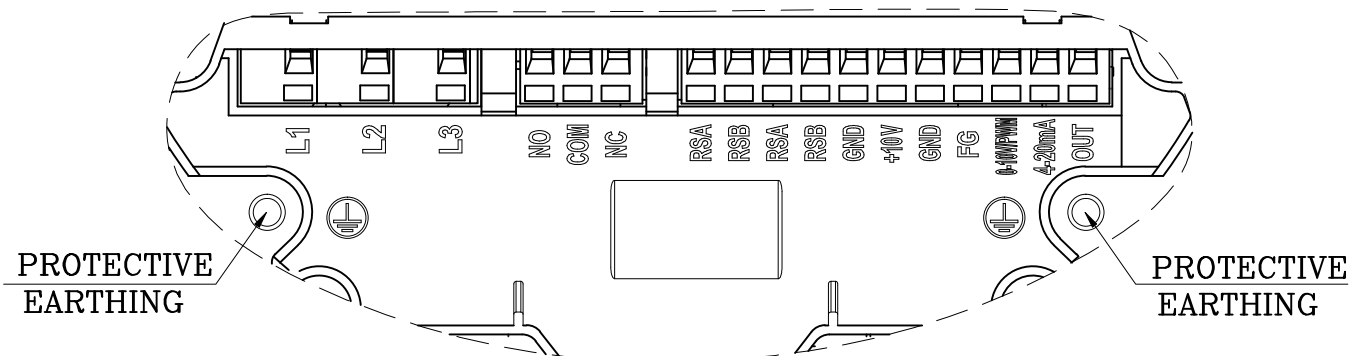
NOTE:

- 1 DEPTH OF SCREW: 12~16mm.
- 2 CABLE DIAMETER: ϕ 6.0~ ϕ 10.0mm.
- 3 OPEN THE COVER AND REFER TO DEFINITION OF TERMINAL BLOCK.
- 4 THIS PRODUCT IS RoHS COMPLIANT.

PART NO:

DELTA MODEL: GTB036PUD25R N1

6. DEFINITION OF TERMINAL BLOCK:



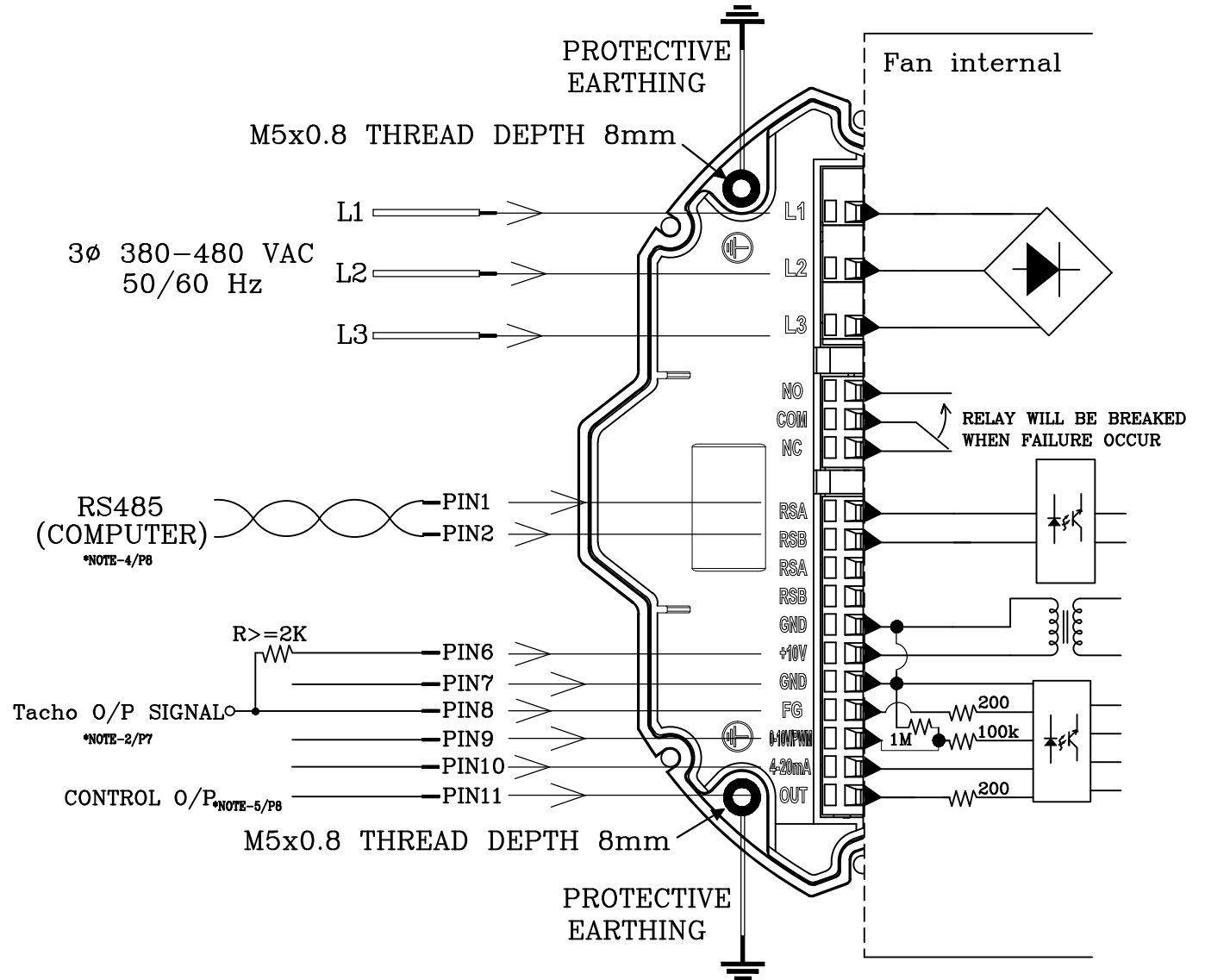
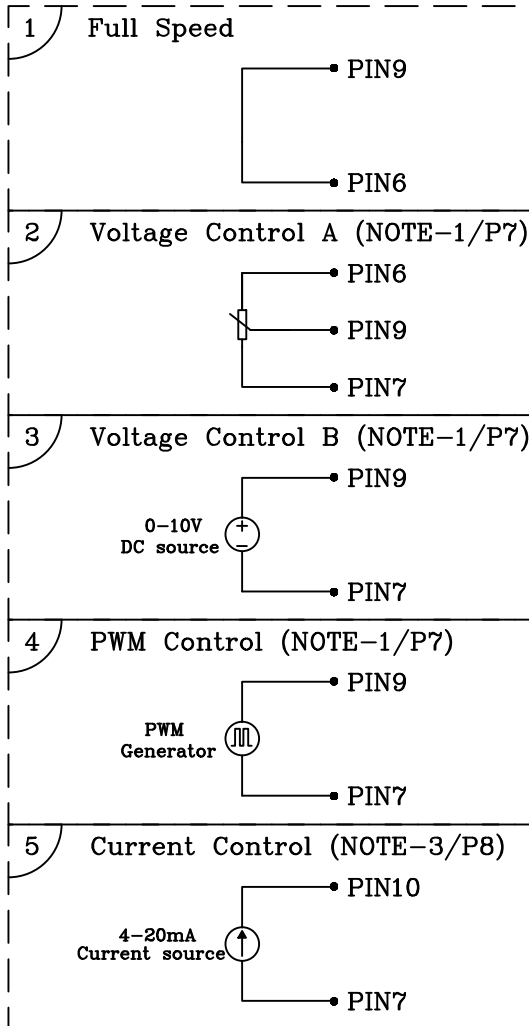
TEXT	FUNCTIONS
L1	AC MAINS
L2	AC MAINS
L3	AC MAINS
NO	ALARM RELAY, OPEN BY FAILURE
COM	ALARM RELAY, COMMON(2A/250VAC)
NC	ALARM RELAY, CLOSE BY FAILURE
RSA	RS485-A
RSB	RS485-B
RSA	RS485-A
RSB	RS485-B
GND	GROUND
+10V	+10V OUTPUT, MAX 10mA (FOR EXTERNAL POTENTIOMETER)
GND	GROUND
FG	FREQUENCY GENERATOR (FG) SIGNAL
0-10V/PWM	SPEED CONTROL, INPUT 0-10VDC
4-20mA	SPEED CONTROL, INPUT 4-20mA
OUT	CONTROL VOLTAGE OUTPUT 0-10VDC (FOR EXTERNAL POTENTIOMETER)

PART NO:

DELTA MODEL: GTB036PUD25R N1

7. LEAD WIRE CONNECTION:

SPEED CONTROL APPLICATION
(CHOOSE ONE TO USE)



PART NO:

DELTA MODEL: GTB036PUD25R N1

8. SPEED CONTROL SIGNAL: VOLTAGE CONTROL *NOTE-1

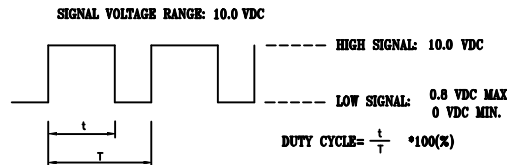
- THERE ARE TWO WAYS TO CONTROL SPEED AND MUST OPEN 4-20mA INPUT.

A. VOLTAGE CONTROL

- CONTROL VOLTAGE RANGE SHALL BE 0-10 VDC.
- VOLTAGE AT 10 VDC THE FAN WILL SPIN AT MAXIMUM SPEED.
- VOLTAGE HIGHER THAN 1.5 VDC, THE FAN WILL START UP.
- VOLTAGE LOWER THAN 0.5 VDC, THE FAN WILL STOP.

B. PWM CONTROL

- THE AMPLITUDE VOLTAGE SHALL BE 10VDC. (100Hz~100kHz)



- PWM DUTY HIGHER THAN 15 % , THE FAN WILL START UP.
- PWM DUTY LOWER THAN 5 % , THE FAN WILL STOP.

- THE SPEED COMPARISON WITH CONTROL LEVEL:

VOLTAGE(V)	PWM DUTY(%)	SPEED (R.P.M.) (REF.)
0.0	0	0
1.5	15	390
6.0	60	1465
9.5	95	2200

*NOTE-2: FREQUENCY GENERATOR (FG) SIGNAL

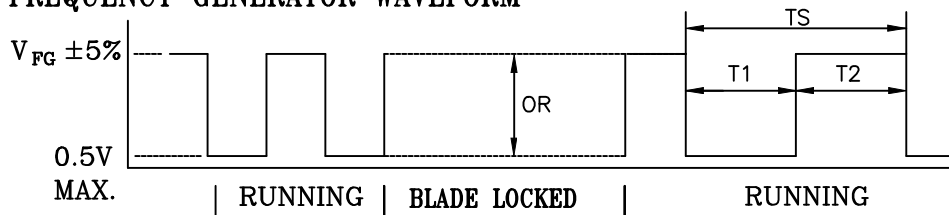
$V_{CE}(\text{sat}) = 0.7V \text{ MAX.}$

$V_{FG} = 30.0V \text{ MAX.}$

$I_c = 5mA \text{ MAX.}$

$R \geq V_{FG} / I_c$

FREQUENCY GENERATOR WAVEFORM



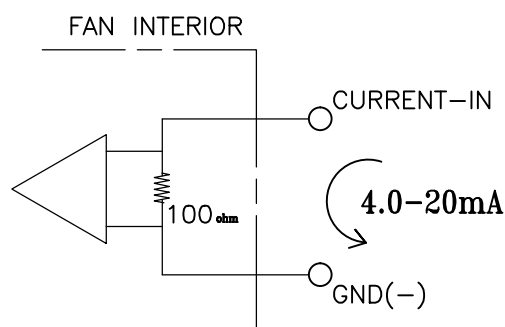
$N = \text{R.P.M}$	1 PULSE PER REVOLUTION
$TS = 60/N(\text{SEC})$	$T_1 = T_2 = 1/2 TS$

PART NO:

DELTA MODEL: GTB036PUD25R N1

9. SPEED CONTROL SIGNAL: CURRENT CONTROL *NOTE-3

- SPEED CAN BE CONTROLLED BY CURRENT LEVEL AND MUST OPEN 0-10V/PWM INPUT.
 - CONTROL VOLTAGE RANGE SHALL BE 4.0-20 mA.
 - CURRENT HIGHER THAN 19.5 mA, THE FAN WILL SPIN AT MAXIMUM SPEED.
 - CURRENT HIGHER THAN 6.0 mA, THE FAN WILL START UP.
 - CURRENT LOWER THAN 4.5 mA, THE FAN WILL STOP.



- THE SPEED COMPARISON WITH CONTROL LEVEL:

CURRENT(mA)	SPEED (R.P.M.) <small>(REF.)</small>
4.0	0
6.3	390
14.0	1515
19.5	2200

10. FUNCTION CONTROL: RS485 CONTROL

*NOTE-4: RS485 CONTROL FUNCTION

- SELECT THE CONTROL MODE OF SPEED, FIXED SPEED OR FIXED PWM DUTY.
- SPEED AND POWER CONSUMPTION FEEDBACK.
- ALLOW MULTIPLE FANS CONTROL AND STATUS PATROL.

11. CONTROL O/P *NOTE-5

- THIS ANALOG SIGNAL LEVEL IS THE DERIVATIVE OF CURRENT CONTROL LEVEL.
- THE SIGNAL WILL BE 0-10 VDC.

CURRENT(mA)	CONTROL O/P(VDC) <small>(REF.)</small>
4.0	0
6.3	1.55
14.0	6.17
19.5	9.46

PART NO:

DELTA MODEL: GTB036PUD25R N1

12. CONTROL VOLTAGE(PWM DUTY) & SPEED CURVE:
(SPEED CONTROL PIN)

