



Chipsmall Limited consists of a professional team with an average of over 10 year of expertise in the distribution of electronic components. Based in Hongkong, we have already established firm and mutual-benefit business relationships with customers from,Europe,America and south Asia,supplying obsolete and hard-to-find components to meet their specific needs.

With the principle of “Quality Parts,Customers Priority,Honest Operation,and Considerate Service”,our business mainly focus on the distribution of electronic components. Line cards we deal with include Microchip,ALPS,ROHM,Xilinx,Pulse,ON,Everlight and Freescale. Main products comprise IC,Modules,Potentiometer,IC Socket,Relay,Connector.Our parts cover such applications as commercial,industrial, and automotives areas.

We are looking forward to setting up business relationship with you and hope to provide you with the best service and solution. Let us make a better world for our industry!



## Contact us

Tel: +86-755-8981 8866 Fax: +86-755-8427 6832

Email & Skype: info@chipsmall.com Web: www.chipsmall.com

Address: A1208, Overseas Decoration Building, #122 Zhenhua RD., Futian, Shenzhen, China





# Gas Discharge Tube Miniature Two Electrode Series Overvoltage Protection Device

Raychem Circuit Protection Products

PRODUCT: GTCx26

DOCUMENT: SCD 25817  
REV LETTER: E1  
REV DATE: 15-Apr-11  
PAGE NO.: 1 OF 5

308 Constitution Drive  
Menlo Park, CA 94025-  
1164  
Phone: 800-227-4856  
www.circuitprotection.com

## Specification Status: Released

### GENERAL DESCRIPTION

#### BENEFITS

- Helps provide overvoltage fault protection against high energy surges
- Suitable for sensitive equipment due to excellent impulse spark over response
- Suitable for high-frequency applications
- Highly reliable performance

#### FEATURES

- Crowbar device with low arc-voltage
- Low capacitance and insertion loss
- High accuracy spark-over voltages for high precision designs
- Tested per ITU K.12 recommendations
- Non-radioactive materials

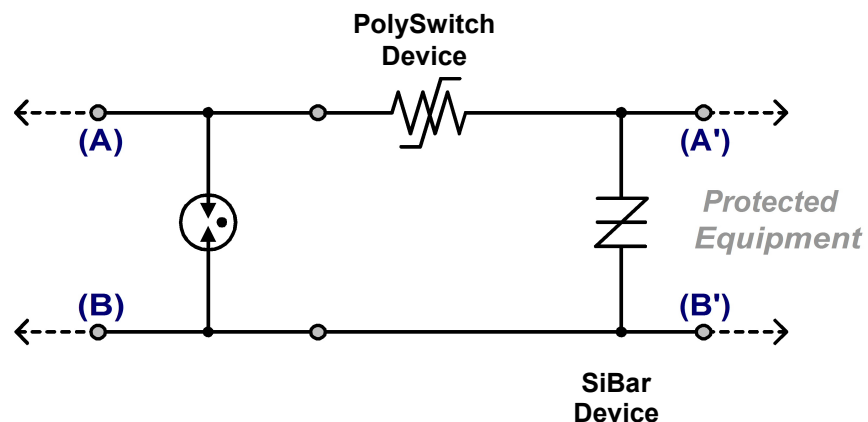
### APPLICATIONS

- Telecommunications:
  - MDF modules, xDSL equipment, RF system protection
- Industrial Electronics and Commercial Electronics, such as
  - Power Supplies, Surge Protectors, Alarm systems

### SYMBOL



### TYPICAL APPLICATION SCHEMATIC





**Gas Discharge Tube  
Miniature Two Electrode Series  
Overtoltage Protection Device**

*Raychem Circuit Protection Products*

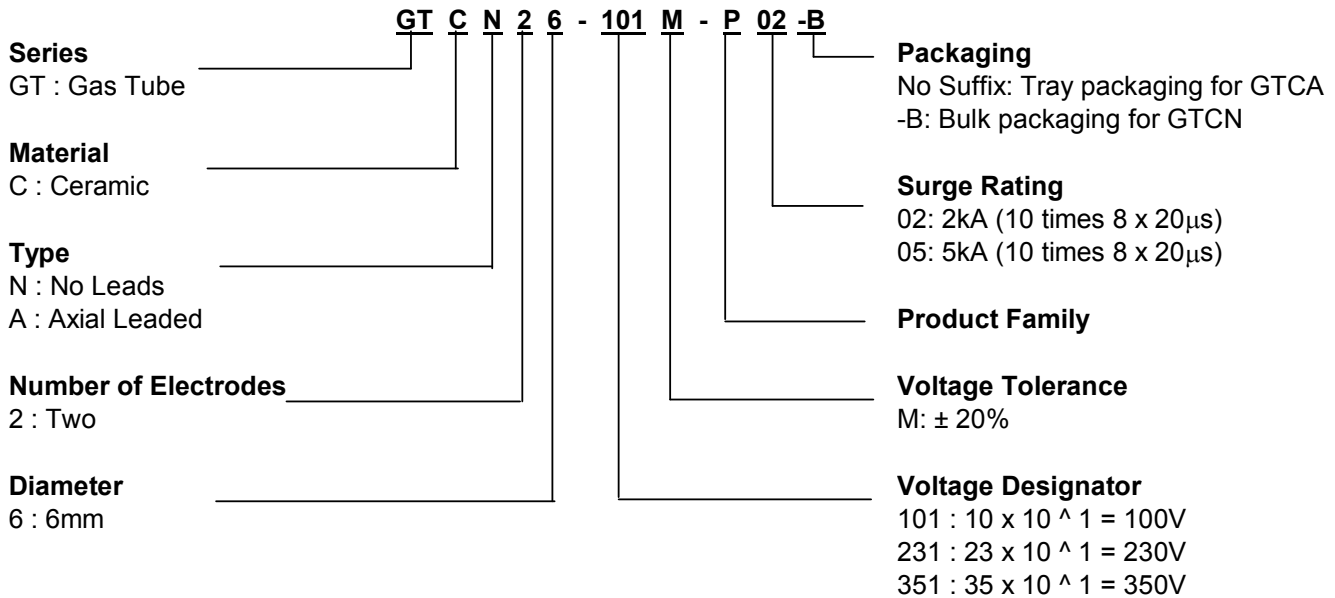
308 Constitution Drive  
Menlo Park, CA 94025-1164  
Phone: 800-227-4856  
www.circuitprotection.com

**PRODUCT: GTCx26**

DOCUMENT: SCD 25817  
REV LETTER: E1  
REV DATE: 15-Apr-11  
PAGE NO.: 2 OF 5

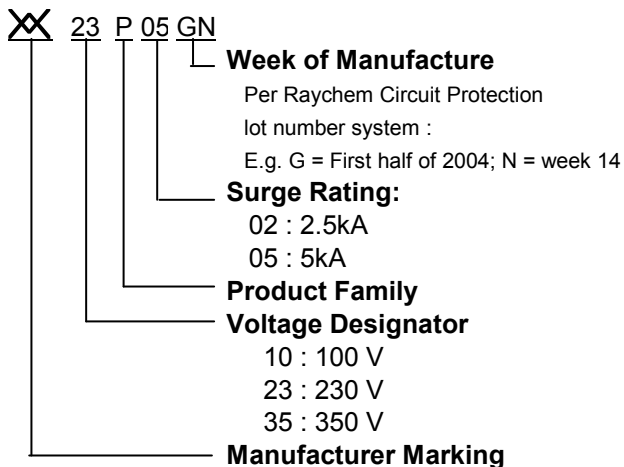
**PART NUMBERING**

**EXAMPLE:**



**DEVICE MARKING**

**EXAMPLE : GTCA26-231M-P05**





# Gas Discharge Tube Miniature Two Electrode Series Overtoltage Protection Device

*Raychem Circuit Protection Products*

308 Constitution Drive  
Menlo Park, CA 94025-1164  
Phone: 800-227-4856  
[www.circuitprotection.com](http://www.circuitprotection.com)

**PRODUCT: GTCx26**

DOCUMENT: SCD 25817  
REV LETTER: E1  
REV DATE: 15-Apr-11  
PAGE NO.: 3 OF 5

## GENERAL CHARACTERISTICS

- No Radioactive Material
- Storage temperature: -40°C ... +90°C
- Operating temperature: -40°C ... + 90°C
- Body: Nickel Plated
- Leads: Tin Plated



## MATERIALS INFORMATION

RoHS Compliant

ELV Compliant

Directive 2002/95/EC  
Compliant

Directive 2000/53/EC  
Compliant

## DEVICE RATINGS AND CHARACTERISTICS

Part Number	DC Sparkover Voltage	Impulse Spark over Voltage		Insulation Resistance	Capacitance	DC Holdover Voltage	Impulse Life	Impulse Discharge Current 8/20 $\mu$ s		AC Discharge Current, 50 Hz	
	@ 100V/s	@ 100V / $\mu$ s	@ 1kV / $\mu$ s	@ 100V	@ 1MHz	Per ITUK.12	10/1000 $\mu$ s, 50A	Single Hit	Repeat 10 times (5 times - each polarity)	Single Hit, 9 Cycles	Repeat 10 times (1s interval)
GTCN26-101M-P02 GTCA26-101M-P02	100V $\pm$ 20%	$\leq$ 500V	$\leq$ 700V	$\geq$ 10,000M $\Omega$ <sup>1</sup>	$\leq$ 1.0pF	$\leq$ 52V	300 times	3kA	2.5kA	--	2.5A
GTCN26-231M-P05 GTCA26-231M-P05	230V $\pm$ 20%	$\leq$ 500V	$\leq$ 700V	$\geq$ 10,000M $\Omega$	$\leq$ 1.0pF	$\leq$ 135V	300 times	10kA	5kA	20A	5A
GTCN26-351M-P05 GTCA26-351M-P05	350V $\pm$ 20%	$\leq$ 600V	$\leq$ 800V	$\geq$ 10,000M $\Omega$	$\leq$ 1.0pF	$\leq$ 135V	300 times	10kA	5kA	20A	5A

Note 1. Insulation Resistance at 50 V<sub>DC</sub>.



# Gas Discharge Tube Miniature Two Electrode Series Overvoltage Protection Device

**PRODUCT: GTCx26**

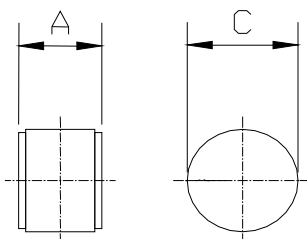
308 Constitution Drive  
Menlo Park, CA 94025-1164  
Phone: 800-227-4856  
[www.circuitprotection.com](http://www.circuitprotection.com)

DOCUMENT: SCD 25817  
REV LETTER: E1  
REV DATE: 15-Apr-11  
PAGE NO.: 4 OF 5

*Raychem Circuit Protection Products*

## DIMENSIONS

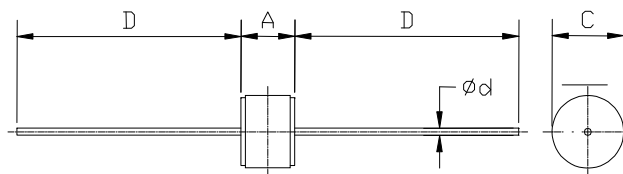
No Leads (GTCN26):



		A		C	
		MIN	MAX	MIN	MAX
mm:		4.0	4.3	5.8	6.2
in*:		0.16	0.17	0.23	0.24

\*Rounded off approximation

Axial Leads (GTCA26):



		A		C		D		$\phi d$
		MIN	MAX	MIN	MAX	MIN	MAX	NOM
mm:		4.0	4.3	5.8	6.2	23.0	27.0	0.8
in*:		0.16	0.17	0.23	0.24	0.90	1.06	0.03

\* Rounded off approximation



# Gas Discharge Tube Miniature Two Electrode Series Overvoltage Protection Device

*Raychem Circuit Protection Products*

308 Constitution Drive  
Menlo Park, CA 94025-  
1164  
Phone: 800-227-4856  
[www.circuitprotection.com](http://www.circuitprotection.com)

**PRODUCT: GTCx26**

DOCUMENT: SCD 25817  
REV LETTER: E1  
REV DATE: 15-Apr-11  
PAGE NO.: 5 OF 5

## PACKAGING

Packaging	Bulk* ( vacuum bags)	Tray**	Standard Box
GTCN26	200	--	1,000***
GTC A26	--	100	1,000****

\* Bulk packaging only for GTCN26

\*\*Tray packaging only for GTC A26

\*\*\* 5 bags

\*\*\*\* 10 trays

Information furnished is believed to be accurate and reliable. However, users should independently evaluate the suitability of each product for their applications. TE Connectivity assumes no responsibility for the use of its product or for any infringement of patents or other rights of third parties resulting from the use of its product. No license is granted by implication or otherwise under any patent or proprietary right of TE Connectivity except the right to use such product for the purpose for which it is sold. TE Connectivity reserves the right to change or update, without notice, any information contained in this publication; to change, without notice, the design, construction, processing, or specification of any product; and to discontinue or limit production or distribution of any product. This publication supersedes and replaces all information previously supplied. Without expressed or written consent by an officer of TE Connectivity, TE Connectivity does not authorize the use of any of its products as components in nuclear facility applications, aerospace, or in critical life support devices or systems. TE Connectivity only obligations are those in the TE Connectivity Standard Terms and Conditions of Sale and in no case will TE Connectivity be liable for any incidental, indirect, or consequential damages arising from the sale, resale, use, or misuse of its products.