



Chipsmall Limited consists of a professional team with an average of over 10 year of expertise in the distribution of electronic components. Based in Hongkong, we have already established firm and mutual-benefit business relationships with customers from,Europe,America and south Asia,supplying obsolete and hard-to-find components to meet their specific needs.

With the principle of "Quality Parts,Customers Priority,Honest Operation,and Considerate Service",our business mainly focus on the distribution of electronic components. Line cards we deal with include Microchip,ALPS,ROHM,Xilinx,Pulse,ON,Everlight and Freescale. Main products comprise IC,Modules,Potentiometer,IC Socket,Relay,Connector.Our parts cover such applications as commercial,industrial, and automotives areas.

We are looking forward to setting up business relationship with you and hope to provide you with the best service and solution. Let us make a better world for our industry!



Contact us

Tel: +86-755-8981 8866 Fax: +86-755-8427 6832

Email & Skype: info@chipsmall.com Web: www.chipsmall.com

Address: A1208, Overseas Decoration Building, #122 Zhenhua RD., Futian, Shenzhen, China



This document is the property of Amphenol Corporation and is delivered on the express condition that it is not to be disclosed, reproduced or used, in whole or in part, for manufacture or sale by anyone other than Amphenol Corporation without its prior consent, and that no right is granted to disclose or to use any information in this document.

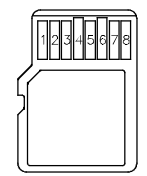
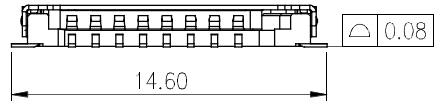
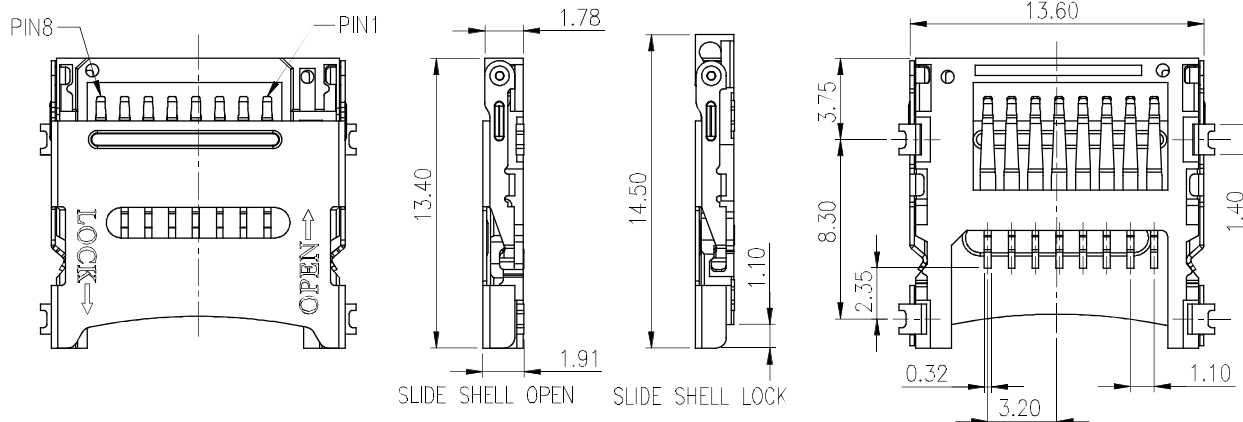
The marking on this product doesn't contain environmental hazardous materials per Material Specification 55-00759 for Sony GP compliant or per directive 2011/65/EU for RoHS compliant.

FOR REFERENCE ONLY

REVISIONS				
SYM	ECN No.	DESCRIPTION	DATE	APPROVED
AX1	EDSR#6800	NON-RELEASE REVISION	11/02/2016	Roger Tsai
AX2	EDSR#6915	CHANGE DIM 1.80mm TO 1.78mm	12/07/2016	Roger Tsai
AX3	EDSR#6947	ADD 30U" GOLD & PACKAGE	12/20/2016	Roger Tsai
AX4	EDSR#6972	ADD DIM 1.91mm	12/27/2016	Roger Tsai

NOTES:

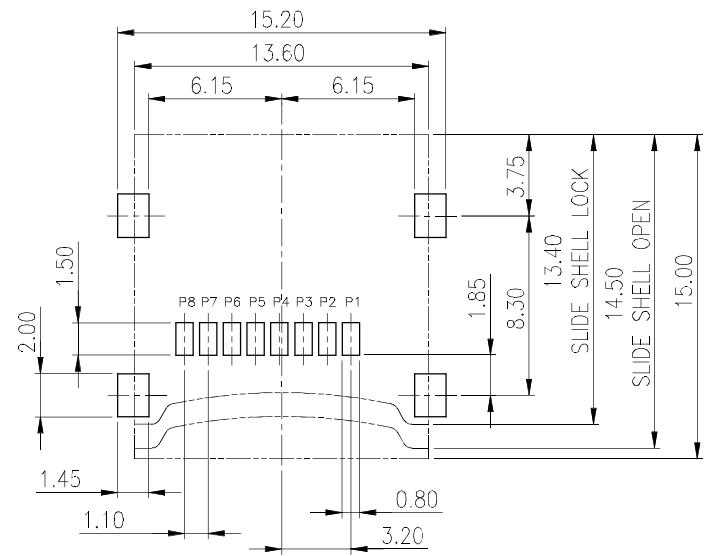
- MATERIAL:**
HOUSING: HIGH TEMPERATURE THERMAL PLASTIC LCP, UL94V-0, COLOR: BLACK.
TERMINAL: COPPER ALLOY.
SHELL: STAINLESS STEEL.
- FINISH:**
TERMINAL:
CONTACT AREA: SELECTED GOLD PLATING;
SOLDERING AREA: MATTE TIN PLATING 100 μ" THICKNESS MIN.;
UNDER PLATING: NICKEL PLATING 50 μ" THICKNESS MIN. OVERALL.
SHELL:
GOLD FLASH ON SOLDERING PAD.
NICKEL PLATING 50 μ" THICKNESS MIN. OVERALL.
- PACKING IS PER AMTA PACKING SPECIFICATION PKS-0001.
- OPERATING TEMPERATURE : -25°C ~ +70°C.
- THIS PRODUCT IS HALOGEN-FREE PRODUCT.



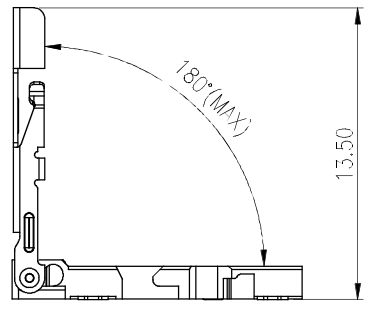
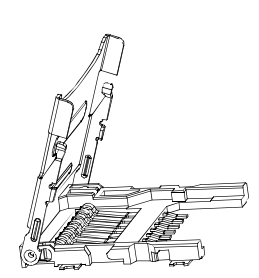
PIN1: DAT 2
PIN2: CD/DAT 3
PIN3: CMD
PIN4: VDD
PIN5: CLK
PIN6: USS 2
PIN7: DAT 0
PIN8: DAT 1

PIN NUMBER	PIN ASSIGNMENT	PIN NUMBER	PIN ASSIGNMENT
1	DAT2	6	VSS
2	CD/DAT3	7	DAT0
3	CMD	8	DAT1
4	VDD		
5	CLK		

PART NO. GTFH081 X 1YHR
CONTACT FINISH
0: GLD FLASH
1: 5 μ" GOLD
2: 10 μ" GOLD
3: 15 μ" GOLD
4: 30 μ" GOLD



RECOMMENDED PCB LAYOUT
TOLERANCES: ±0.05mm



OPEN STATE

TOLERANCE	APPROVALS	DATE	TITLE		
X. ±0.30	DRAWN Karen Su	12/27/2016	MICRO-SD SOCKET HINGE TYPE RIGHT ANGLE SMT, H=1.80mm		
X.X ±0.20					
X.XXX ±0.10	CHECKED Roger Tsai	12/27/2016			
ANGULAR ±1°	APPROVED Roger Tsai	12/27/2016			
UNLESS OTHERWISE SPECIFIED	DWG TYPE CUST DWG	PROJECT CODE OTHER	UNIT mm	SIZE A3	PART No. GTFH081X1YHR
			SCALE NA	SHEET 1 OF 2	DWG No. GTFH081X1YHR
					REV. AX4

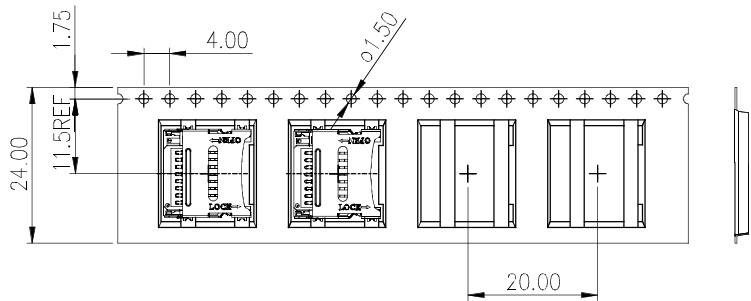
Amphenol[®]
Amphenol Corporation
Amphenol Taiwan Corporation

This document is the property of Amphenol Corporation and is delivered on the express condition that it is not to be disclosed, reproduced or used, in whole or in part, for manufacture or sale by anyone other than Amphenol Corporation without its prior consent, and that no right is granted to disclose or to use any information in this document.

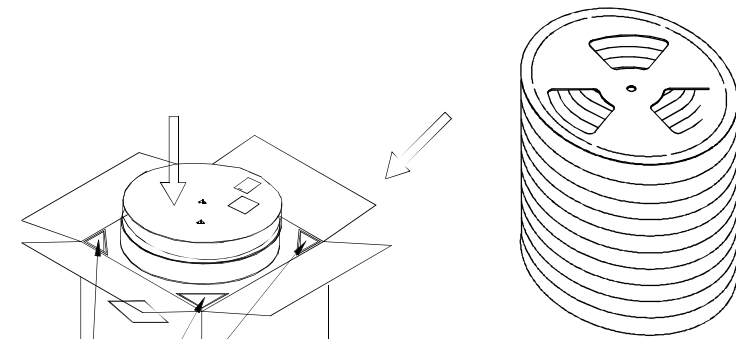
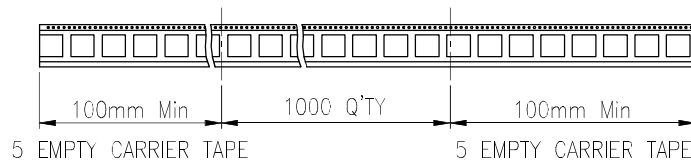
The marking on this product doesn't contain environmental hazardous materials per Material Specification 55-00759 for Sony GP compliant or per directive 2011/65/EU for RoHS compliant.

REVISIONS				
SYM	ECN No.	DESCRIPTION	DATE	APPROVED
AX1	EDSR#6800	NON-RELEASE REVISION	11/02/2016	Roger Tsai
AX2	EDSR#6915	CHANGE DIM 1.80mm TO 1.78mm	12/07/2016	Roger Tsai
AX3	EDSR#6947	ADD 30U" GOLD & PACKAGE	12/20/2016	Roger Tsai
AX4	EDSR#6972	ADD DIM 1.91mm	12/27/2016	Roger Tsai

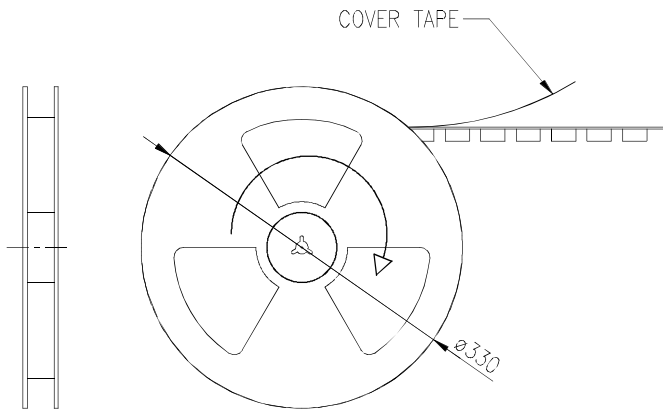
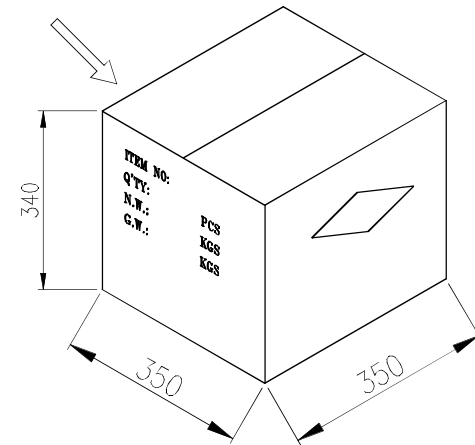
FOR REFERENCE ONLY



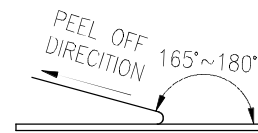
USER DIRECTION OF UNREELING



CARD BOARD



COVER TAPE PEELING FORCE: 20gf~120gf



PACKAGING BY REEL	10.1	4.54	1,000	10	10,000	GTFH081X1YHR
	G/W KG	N/W KG	PCS/ REEL	REELS/ BOX	QUANTITY (PCS)	PART NUMBER

TOLERANCE	APPROVALS	DATE	TITLE		PART No.	
X. ±0.30	DRAWN Karen Su	12/27/2016	MICRO-SD SOCKET HINGE TYPE RIGHT ANGLE SMT, H=1.80mm		Amphenol [®] Amphenol Corporation Amphenol Taiwan Corporation	
X.X ±0.20	CHECKED Roger Tsai	12/27/2016				
X.XXX ±0.10	APPROVED Roger Tsai	12/27/2016			UNIT mm	SIZE A3
ANGULAR ±1°	DWG TYPE CUST DWG	PROJECT CODE OTHER	SCALE NA	SHEET 2 OF 2	DWG No. GTFH081X1YHR REV. AX4	
UNLESS OTHERWISE SPECIFIED						