



Chipsmall Limited consists of a professional team with an average of over 10 year of expertise in the distribution of electronic components. Based in Hongkong, we have already established firm and mutual-benefit business relationships with customers from,Europe,America and south Asia,supplying obsolete and hard-to-find components to meet their specific needs.

With the principle of “Quality Parts,Customers Priority,Honest Operation,and Considerate Service”,our business mainly focus on the distribution of electronic components. Line cards we deal with include Microchip,ALPS,ROHM,Xilinx,Pulse,ON,Everlight and Freescale. Main products comprise IC,Modules,Potentiometer,IC Socket,Relay,Connector.Our parts cover such applications as commercial,industrial, and automotives areas.

We are looking forward to setting up business relationship with you and hope to provide you with the best service and solution. Let us make a better world for our industry!



Contact us

Tel: +86-755-8981 8866 Fax: +86-755-8427 6832

Email & Skype: info@chipsmall.com Web: www.chipsmall.com

Address: A1208, Overseas Decoration Building, #122 Zhenhua RD., Futian, Shenzhen, China



THIS COPY IS PROVIDED ON A RESTRICTED BASIS AND IS NOT TO BE USED IN ANY WAY DETRIMENTAL TO THE INTERESTS OF PANDUIT CORP.

NOTES, UNLESS OTHERWISE SPECIFIED:

| PANDUIT TOOL NO. | INSTALLS * THE FOLLOWING CABLE TIE CROSS-SECTIONS ** | WEIGHT/PC | |
|------------------|--|-----------|-------|
| | | OZ | GRAMS |
| GTH | S,HS,LH,H | 12.0 | 340.2 |

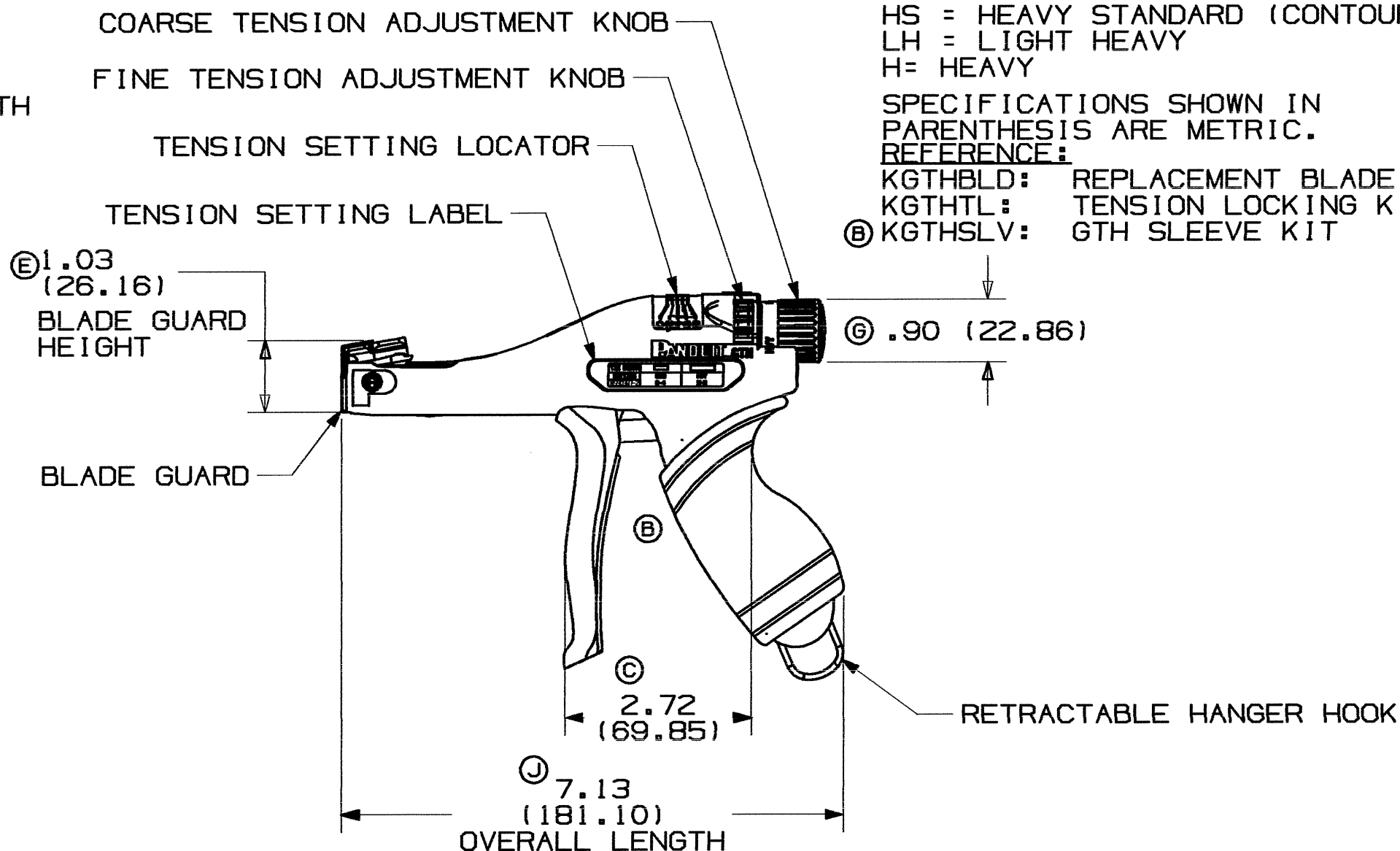
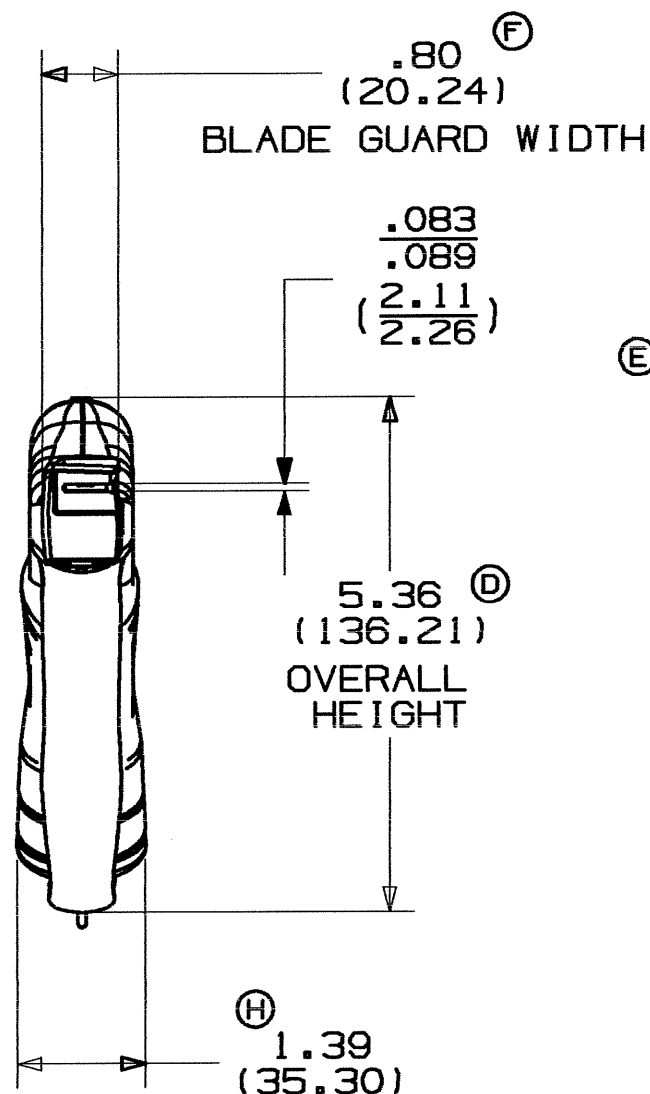
Ⓚ

*THIS TOOL TIGHTENS CABLE TIES AND CUTS OFF EXCESS PORTION WHEN PRESET TENSION IS ATTAINED.

** CABLE TIE CROSS-SECTION CODE:
 S = STANDARD
 HS = HEAVY STANDARD (CONTOUR-TY)
 LH = LIGHT HEAVY
 H = HEAVY

SPECIFICATIONS SHOWN IN PARENTHESIS ARE METRIC.
 REFERENCE:

KGTHBLD: REPLACEMENT BLADE KIT
 KGHTL: TENSION LOCKING KIT
 ⓑ KGTHSLV: GTH SLEEVE KIT



CAD FILENAME/LAYER R24651BA_DC_WH24651B01_03A

PANDUIT CORP TINLEY PARK, ILLINOIS

CD, GTH

UNLESS OTHERWISE SPECIFIED, DIMENSIONAL TOLERANCES ARE:
 (.X) ± .005
 (.XX) ± .002
 (.XXX) ± .001
 ANGLES ± .5°

UNLESS OTHERWISE SPECIFIED, ALL DIMENSIONS ARE GIVEN IN INCHES, THIRD ANGLE PROJECTION

| REV | DATE | BY | CHK | DESCRIPTION | ECN | R | CUST | SUP |
|-----|----------|------|------|--|------|----|------|-----|
| 03 | 07-20-06 | BJPU | | CORRECTED TOOL WEIGHT WITH SLEEVE Ⓚ | 4201 | -- | | |
| -- | 04-21-06 | PWG | | CORRECTED DIM'S: (ⓐ) - (ⓐ); UPDATE DIM'S: (ⓔ), (ⓐ) | ---- | -- | | |
| 02 | 04-21-06 | PWG | BJPU | ADDED: (ⓑ) DAMPENING SLEEVE & KIT P/N KGTHSLV; | 4201 | -- | LAH | |

DRAWN BY PWG
 DATE 4-21-06
 CHK'D BJPU

MAT'L: -----

SCALE 1/2" = 1"
 DRAWING NO. WH24651B01
 SIZE B