



Chipsmall Limited consists of a professional team with an average of over 10 year of expertise in the distribution of electronic components. Based in Hongkong, we have already established firm and mutual-benefit business relationships with customers from,Europe,America and south Asia,supplying obsolete and hard-to-find components to meet their specific needs.

With the principle of “Quality Parts,Customers Priority,Honest Operation,and Considerate Service”,our business mainly focus on the distribution of electronic components. Line cards we deal with include Microchip,ALPS,ROHM,Xilinx,Pulse,ON,Everlight and Freescale. Main products comprise IC,Modules,Potentiometer,IC Socket,Relay,Connector.Our parts cover such applications as commercial,industrial, and automotives areas.

We are looking forward to setting up business relationship with you and hope to provide you with the best service and solution. Let us make a better world for our industry!



## Contact us

Tel: +86-755-8981 8866 Fax: +86-755-8427 6832

Email & Skype: info@chipsmall.com Web: www.chipsmall.com

Address: A1208, Overseas Decoration Building, #122 Zhenhua RD., Futian, Shenzhen, China





Is Now Part of



**ON Semiconductor®**

To learn more about ON Semiconductor, please visit our website at  
[www.onsemi.com](http://www.onsemi.com)

ON Semiconductor and the ON Semiconductor logo are trademarks of Semiconductor Components Industries, LLC dba ON Semiconductor or its subsidiaries in the United States and/or other countries. ON Semiconductor owns the rights to a number of patents, trademarks, copyrights, trade secrets, and other intellectual property. A listing of ON Semiconductor's product/patent coverage may be accessed at [www.onsemi.com/site/pdf/Patent-Marking.pdf](http://www.onsemi.com/site/pdf/Patent-Marking.pdf). ON Semiconductor reserves the right to make changes without further notice to any products herein. ON Semiconductor makes no warranty, representation or guarantee regarding the suitability of its products for any particular purpose, nor does ON Semiconductor assume any liability arising out of the application or use of any product or circuit, and specifically disclaims any and all liability, including without limitation special, consequential or incidental damages. Buyer is responsible for its products and applications using ON Semiconductor products, including compliance with all laws, regulations and safety requirements or standards, regardless of any support or applications information provided by ON Semiconductor. "Typical" parameters which may be provided in ON Semiconductor data sheets and/or specifications can and do vary in different applications and actual performance may vary over time. All operating parameters, including "Typicals" must be validated for each customer application by customer's technical experts. ON Semiconductor does not convey any license under its patent rights nor the rights of others. ON Semiconductor products are not designed, intended, or authorized for use as a critical component in life support systems or any FDA Class 3 medical devices or medical devices with a same or similar classification in a foreign jurisdiction or any devices intended for implantation in the human body. Should Buyer purchase or use ON Semiconductor products for any such unintended or unauthorized application, Buyer shall indemnify and hold ON Semiconductor and its officers, employees, subsidiaries, affiliates, and distributors harmless against all claims, costs, damages, and expenses, and reasonable attorney fees arising out of, directly or indirectly, any claim of personal injury or death associated with such unintended or unauthorized use, even if such claim alleges that ON Semiconductor was negligent regarding the design or manufacture of the part. ON Semiconductor is an Equal Opportunity/Affirmative Action Employer. This literature is subject to all applicable copyright laws and is not for resale in any manner.

## GTLP16616 17-Bit TTL/GTLP Bus Transceiver with Buffered Clock

### General Description

The GTLP16616 is a 17-bit registered bus transceiver that provides TTL to GTLP signal level translation. It allows for transparent, latched and clocked modes of data flow and provides a buffered GTLP (CLKOUT) clock output from the TTL CLKAB. The device provides a high speed interface between cards operating at TTL logic levels and a backplane operating at GTLP logic levels. High speed backplane operation is a direct result of GTLP's reduced output swing (<1V), reduced input threshold levels and output edge rate control. The edge rate control minimizes bus settling time. GTLP is a Fairchild Semiconductor derivative of the Gunning Transceiver logic (GTL) JEDEC standard JESD8-3.

Fairchild's GTLP has internal edge-rate control and is process, voltage, and temperature (PVT) compensated. Its function is similar to BTL and GTL but with different output levels and receiver threshold. GTLP output LOW level is typically less than 0.5V, the output level HIGH is 1.5V and the receiver threshold is 1.0V.

### Features

- Bidirectional interface between GTLP and TTL logic levels
- Designed with edge rate control circuitry to reduce output noise on the GTLP port
- V<sub>REF</sub> pin provides external supply reference voltage for receiver threshold adjustability
- Special PVT compensation circuitry to provide consistent performance over variations of process, supply voltage and temperature
- TTL compatible driver and control inputs
- Designed using Fairchild advanced CMOS technology
- Bushold data inputs on the A port eliminates the need for external pull-up resistors on unused inputs.
- Power up/down and power off high impedance for live insertion
- 5 V tolerant inputs and outputs on the LVTTTL ports
- Open drain on GTLP to support wired-or connection
- Flow through pinout optimizes PCB layout
- D-type flip-flop, latch and transparent data paths
- A Port source/sink -32 mA/+32 mA
- GTLP Buffered CLKAB signal available (CLKOUT)

### Ordering Code:

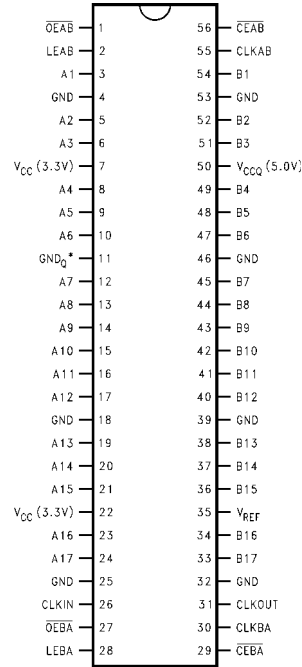
Order Number	Package Number	Package Description
GTLP16616MEA	MS56A	56-Lead Shrink Small Outline Package (SSOP), JEDEC MO-118 0.300" Wide
GTLP16616MTD	MTD56	56-Lead Thin Shrink Small Outline Package (TSSOP), JEDEC MO-153, 6.1mm Wide

Devices also available in Tape and Reel. Specify by appending suffix letter "X" to the ordering code.

## Pin Descriptions

Pin Names	Description
$\overline{OEAB}$	A-to-B Output Enable (Active LOW)
$\overline{OEBA}$	B-to-A Output Enable (Active LOW)
$\overline{CEAB}$	A-to-B Clock Enable (Active LOW)
$\overline{CEBA}$	B-to-A Clock Enable (Active LOW)
LEAB	A-to-B Latch Enable (Transparent HIGH)
LEBA	B-to-A Latch Enable (Transparent HIGH)
$V_{REF}$	GTLP Reference Voltage
CLKAB	A-to-B Clock
CLKBA	B-to-A Clock
A1-A17	A-to-B Data Inputs or B-to-A 3-STATE Outputs
B1-B17	B-to-A Data Inputs or A-to-B Open Drain Outputs
CLKIN	B-to-A Buffered Clock Output
CLKOUT	GTLP Buffered Clock Output of CLKAB

## Connection Diagram



## Functional Description

The GTLP16616 is a 17 bit registered transceiver containing D-type flip-flop, latch and transparent modes of operation for the data path and a GTLP translation of the CLKAB signal (CLKOUT). Data flow in each direction is controlled by the clock enables ( $\overline{CEAB}$  and  $\overline{CEBA}$ ), latch enables (LEAB and LEBA), clock (CLKAB and CLKBA) and output enables ( $\overline{OEAB}$  and  $\overline{OEBA}$ ). The clock enables ( $\overline{CEAB}$  and  $\overline{CEBA}$ ) enable all 17 bits. The output enables ( $\overline{OEAB}$  and  $\overline{OEBA}$ ) control both the 17 bits of data and the CLKOUT/CLKIN buffered clock path.

For A-to-B data flow, when  $\overline{CEAB}$  is LOW, the device operates on the LOW-to-HIGH transition of CLKAB for the flip-flop and on the HIGH-to-LOW transition of LEAB for the latch path. That is, if  $\overline{CEAB}$  is LOW and LEAB is LOW the A data is latched regardless as to the state of CLKAB (HIGH or LOW) and if LEAB is HIGH the device is in transparent mode. When  $\overline{OEAB}$  is LOW the outputs are active. When  $\overline{OEAB}$  is HIGH the outputs are HIGH impedance. The data flow of B-to-A is similar except that  $\overline{CEBA}$ ,  $\overline{OEBA}$ , LEBA and CLKBA are used.

## Truth Table

(Note 1)

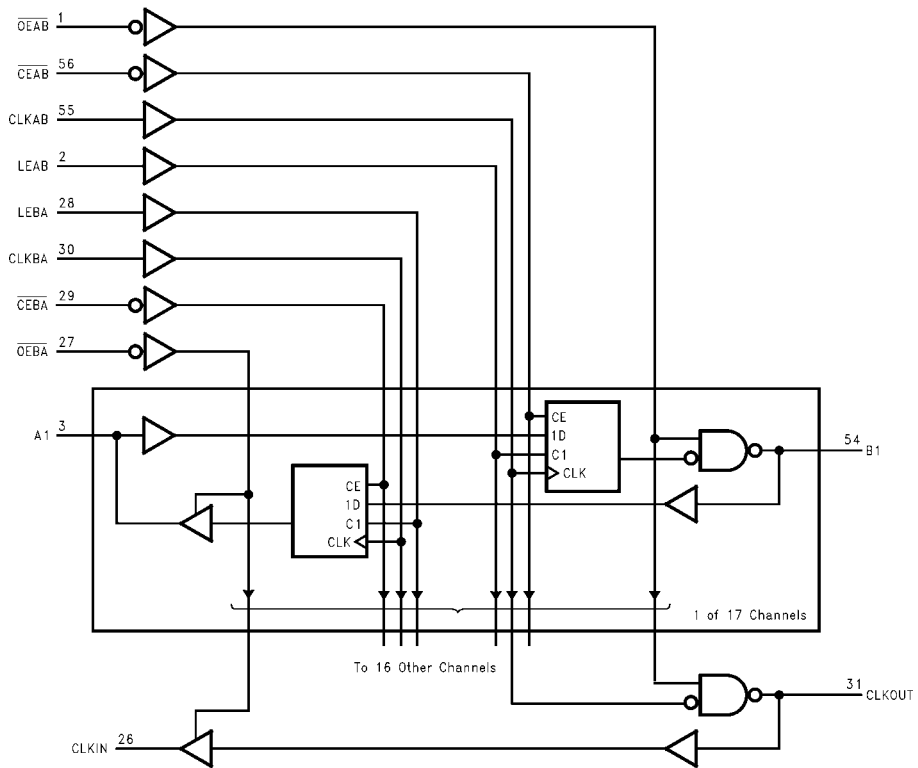
Inputs					Output B	Mode
$\overline{CEAB}$	$\overline{OEAB}$	LEAB	CLKAB	A		
X	H	X	X	X	Z	Latched storage
L	L	L	H	X	$B_0$ (Note 2)	of A data
L	L	L	L	X	$B_0$ (Note 3)	
X	L	H	X	L	L	Transparent
X	L	H	X	H	H	
L	L	L	↑	L	L	Clocked storage of A data
L	L	L	↑	H	H	
H	L	L	X	X	$B_0$ (Note 3)	Clock inhibit

**Note 1:** A-to-B data flow is shown. B-to-A data flow is similar but uses  $\overline{OEBA}$ , LEBA, CLKBA, and  $\overline{CEBA}$ .

**Note 2:** Output level before the indicated steady-state input conditions were established, provided that CLKAB was HIGH prior to LEAB going LOW.

**Note 3:** Output level before the indicated steady-state input conditions were established.

Logic Diagram



### Absolute Maximum Ratings (Note 4)

Supply Voltage ( $V_{CC}$ )	-0.5V to +7.0V
DC Input Voltage ( $V_I$ )	-0.5V to +7.0V
DC Output Voltage ( $V_O$ )	
Outputs 3-STATE	-0.5V to +7.0V
Outputs Active (Note 5)	-0.5V to $V_{CC} + 0.5V$
DC Output Sink Current into	
A Port $I_{OL}$	64 mA
DC Output Source Current from	
A Port $I_{OH}$	-64 mA
DC Output Sink Current	
into B Port in the LOW State, $I_{OL}$	80 mA
DC Input Diode Current ( $I_{IK}$ )	
$V_I < 0V$	-50 mA
DC Output Diode Current ( $I_{OK}$ )	
$V_O < 0V$	-50 mA
$V_O > V_{CC}$	+50 mA
ESD Rating	>2000V
Storage Temperature ( $T_{STG}$ )	-65°C to +150°C

### Recommended Operating Conditions (Note 6)

Supply Voltage $V_{CC}$	3.15V to 3.45V
$V_{CCQ}$	4.75V to 5.25V
Bus Termination Voltage ( $V_{TT}$ ) GTLP	1.35V to 1.65V
Input Voltage ( $V_I$ )	
on A Port and Control Pins	0.0V to 5.5V
HIGH Level Output Current ( $I_{OH}$ )	
A Port	-32 mA
LOW Level Output Current ( $I_{OL}$ )	
A Port	+32 mA
B Port	+34 mA
Operating Temperature ( $T_A$ )	-40°C to +85°C

**Note 4:** The Absolute Maximum Ratings are those values beyond which the safety of the device cannot be guaranteed. The device should not be operated at these limits. The parametric values defined in the Electrical Characteristics tables are not guaranteed at the absolute maximum rating. The "Recommended Operating Conditions" table will define the conditions for actual device operation.

**Note 5:**  $I_O$  Absolute Maximum Rating must be observed.

**Note 6:** Unused inputs must be held HIGH or LOW.

### DC Electrical Characteristics

Over Recommended Operating Free-Air Temperature Range,  $V_{REF} = 1.0V$  (unless otherwise noted).

Symbol		Test Conditions		Min	Typ (Note 7)	Max	Units
$V_{IH}$	B Port			$V_{REF} + 0.1$		$V_{TT}$	V
	Others			2.0			V
$V_{IL}$	B Port			0.0		$V_{REF} - 0.1$	V
	Others					0.8	V
$V_{REF}$	GTLP				1.0		V
	GTL				0.8		V
$V_{IK}$		$V_{CC} = 3.15V$ , $V_{CCQ} = 4.75V$	$I_I = -18 mA$			-1.2	V
$V_{OH}$	A Port	$V_{CC}, V_{CCQ} = \text{Min to Max (Note 8)}$	$I_{OH} = -100 \mu A$	$V_{CC} - 0.2$			V
		$V_{CC} = 3.15V$	$I_{OH} = -8 mA$	2.4			
		$V_{CCQ} = 4.75V$	$I_{OH} = -32 mA$	2.0			
$V_{OL}$	A Port	$V_{CC}, V_{CCQ} = \text{Min to Max (Note 8)}$	$I_{OL} = 100 \mu A$			0.2	V
		$V_{CC} = 3.15V$	$I_{OL} = 32 mA$			0.5	
		$V_{CCQ} = 4.75V$					
	B Port	$V_{CC} = 3.15V$ $V_{CCQ} = 4.75V$	$I_{OL} = 34 mA$			0.65	V
$I_I$	Control Pins	$V_{CC}, V_{CCQ} = 0 \text{ or Max}$	$V_I = 5.5V \text{ or } 0V$			$\pm 10$	$\mu A$
	A Port	$V_{CC} = 3.45V$ $V_{CCQ} = 5.25V$	$V_I = 5.5V$			20	$\mu A$
			$V_I = V_{CC}$			1	
			$V_I = 0$			-30	
	B Port	$V_{CC} = 3.45V$ $V_{CCQ} = 5.25V$	$V_I = V_{CC}$				5
			$V_I = 0$			-5	
$I_{OFF}$	A Port and Control Pins	$V_{CC} = V_{CCQ} = 0$	$V_I \text{ or } V_O = 0 \text{ to } 4.5V$			100	$\mu A$
$I_{I(\text{hold})}$	A Port	$V_{CC} = 3.15V$ , $V_{CCQ} = 4.75V$	$V_I = 0.8V$	75			$\mu A$
			$V_I = 2.0V$	-20			
$I_{OZH}$	A Port	$V_{CC} = 3.45V$ ,	$V_O = 3.45V$			1	$\mu A$
	B Port	$V_{CCQ} = 5.25V$	$V_O = 1.5V$			5	
$I_{OZL}$	A Port	$V_{CC} = 3.45V$ ,	$V_O = 0$			-20	$\mu A$
	B Port	$V_{CCQ} = 5.25V$	$V_O = 0.65V$			-10	

DC Electrical Characteristics (Continued)							
Symbol		Test Conditions		Min	Typ (Note 7)	Max	Units
$I_{CCQ}$ ( $V_{CCQ}$ )	A or B Ports	$V_{CC} = 3.45V$ , $V_{CCQ} = 5.25V$ , $I_O = 0$ , $V_I = V_{CCQ}$ or GND	Outputs HIGH		30	40	mA
			Outputs LOW		30	40	
			Outputs Disabled		30	40	
$I_{CC}$ ( $V_{CC}$ )	A or B Ports	$V_{CC} = 3.45V$ , $V_{CCQ} = 5.25V$ , $I_O = 0$ , $V_I = V_{CC}$ or GND	Outputs HIGH		0	1	mA
			Outputs LOW		0	1	
			Outputs Disabled		0	1	
$\Delta I_{CC}$ (Note 9)	A Port and Control Pins	$V_{CC} = 3.45V$ , $V_{CC} = 5.25V$ , A or Control Inputs at $V_{CC}$ or GND	One Input at 2.7V		0	1	mA
$C_{IN}$	Control Pins		$V_I = V_{CCQ}$ or 0		8		pF
$C_{IO}$	A Port		$V_I = V_{CCQ}$ or 0		9		
$C_{IO}$	B Port		$V_I = V_{CCQ}$ or 0		6		
<p><b>Note 7:</b> All typical values are at <math>V_{CC} = 3.3V</math>, <math>V_{CCQ} = 5.0V</math>, and <math>T_A = 25^\circ C</math>.</p> <p><b>Note 8:</b> For conditions shown as Min or Max, use the appropriate value specified under recommended operating conditions.</p> <p><b>Note 9:</b> This is the increase in supply current for each input that is at the specified TTL voltage level rather than <math>V_{CC}</math> or GND.</p>							
AC Operating Requirements							
Over recommended ranges of supply voltage and operating free-air temperature, $V_{REF} = 1.0V$ (unless otherwise noted).							
Symbol			Min	Max	Unit		
$f_{MAX}$	Maximum Clock Frequency		175		MHz		
$t_W$	Pulse Duration		LEAB or LEBA HIGH	3.0	ns		
			CLKAB or CLKBA HIGH or LOW	3.2			
$t_S$	Setup Time		A before CLKBA $\uparrow$	0.5	ns		
			B before CLKBA $\uparrow$	3.1			
			A before LEAB $\downarrow$	1.3			
			B before LEBA $\downarrow$	3.7			
			$\overline{CEAB}$ before CLKAB $\uparrow$	0.7			
			$\overline{CEBA}$ before CLKBA $\uparrow$	1.0			
$t_H$	Hold Time		A after CLKAB $\uparrow$	1.5	ns		
			B after CLKBA $\uparrow$	0.0			
			A after LEAB $\downarrow$	0.5			
			B after LEBA $\downarrow$	0.0			
			$\overline{CEAB}$ after CLKAB $\uparrow$	1.5			
			$\overline{CEBA}$ after CLKBA $\uparrow$	1.7			

## AC Electrical Characteristics

Over recommended range of supply voltage and operating free-air temperature,  $V_{REF} = 1.0V$  (unless otherwise noted).  
 $C_L = 30$  pF for B Port and  $C_L = 50$  pF for A Port.

Symbol	From (Input)	To (Output)	Min	Typ (Note 10)	Max	Unit
$t_{PLH}$	A	B	1.0	4.3	6.5	ns
$t_{PHL}$			1.0	5.0	8.2	
$t_{PLH}$	LEAB	B	1.8	4.5	6.7	ns
$t_{PHL}$			1.5	5.3	8.7	
$t_{PLH}$	CLKAB	B	1.8	4.6	6.7	ns
$t_{PHL}$			1.5	5.4	8.7	
$t_{PLH}$	CLKAB	CLKOUT	3.0	6.2	10.0	ns
$t_{PHL}$			3.0	5.7	10.0	
$t_{PLH}$	$\overline{OEAB}$	B or CLKOUT	1.6	4.4	6.3	ns
$t_{PHL}$			1.3	6.1	9.8	
$t_{SKEW}$	B (Note 11)	CLKOUT	0		2	ns
$t_{RISE}$	Transition time, B outputs (20% to 80%)			2.6		ns
$t_{FALL}$	Transition time, B outputs (20% to 80%)			2.6		
$t_{PLH}$	B	A	2.0	5.6	8.2	ns
$t_{PHL}$			1.4	5.0	7.2	
$t_{PLH}$	LEBA	A	2.1	4.2	6.3	ns
$t_{PHL}$			1.9	3.3	5.0	
$t_{PLH}$	CLKBA	A	2.3	4.4	6.8	ns
$t_{PHL}$			2.1	3.5	5.2	
$t_{PLH}$	CLKOUT	CLKIN	3.0	6.0	10.0	ns
$t_{PHL}$			3.0	6.4	10.0	
$t_{PZH}, t_{PZL}$	$\overline{OEBA}$	A or CLKIN	1.5	5.0	6.4	ns
$t_{PHZ}, t_{PLZ}$			1.4	3.9	8.0	

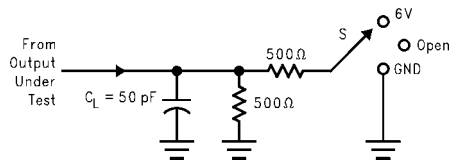
**Note 10:** All typical values are at  $V_{CC} = 3.3V$ ,  $V_{CCQ} = 5.0V$ , and  $T_A = 25^\circ C$ .

**Note 11:** Skew is defined as the absolute value of the difference between the actual propagation delays for the CLKOUT pin and any B output transition when measured with reference to CLKAB $\uparrow$ . This guarantees the relationship between B output data and CLKOUT such that data is coincident or ahead of CLKOUT. This specification is guaranteed but not tested.



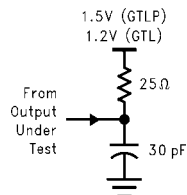
## Test Circuits and Timing Waveforms

**Test Circuit for A Outputs**



$C_L$  includes probes and jig capacitance.

**Test Circuit for B Outputs**

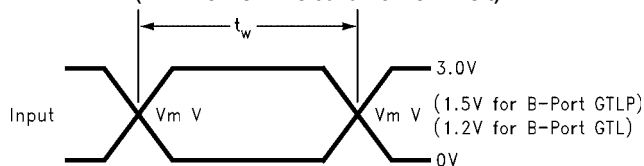


$C_L$  includes probes and jig capacitance.

For B Port outputs,  $C_L = 30$  pF is used for worst case edge rate.

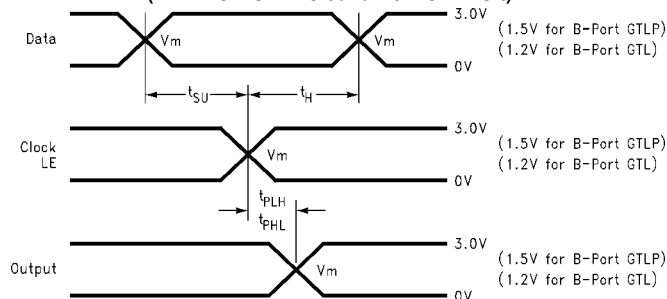
**Voltage Waveforms Pulse Duration**

( $V_m = 1.5V$  for A Port and  $1.0V$  for B Port)

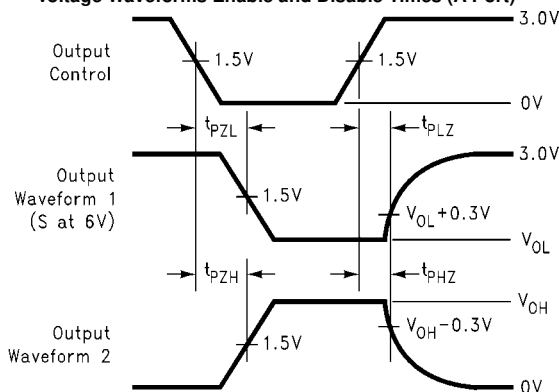


**Voltage Waveforms Propagation Delay and Setup and Hold Times**

( $V_m = 1.5V$  for A Port and  $1.0V$  for B Port)

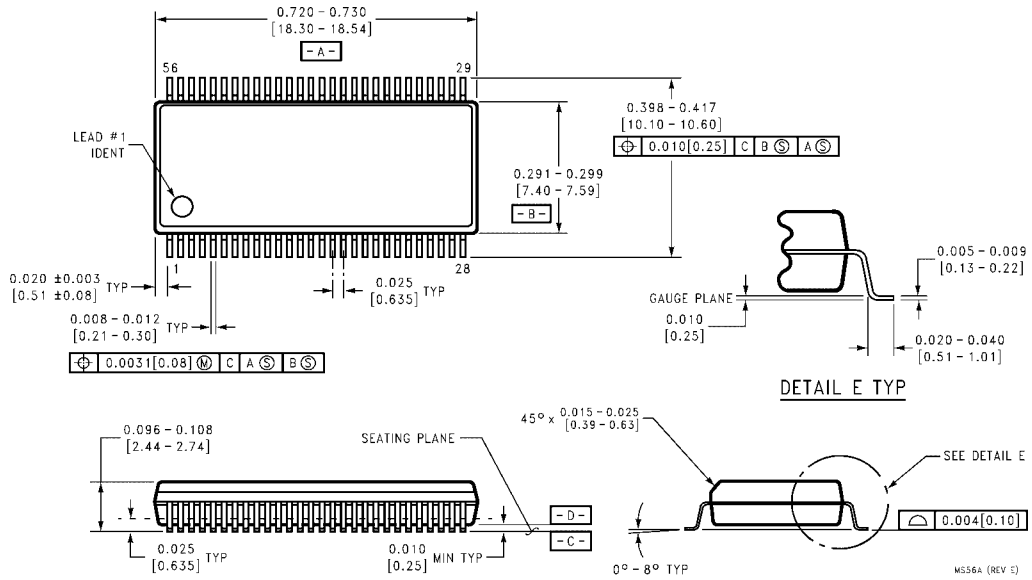


**Voltage Waveforms Enable and Disable Times (A Port)**



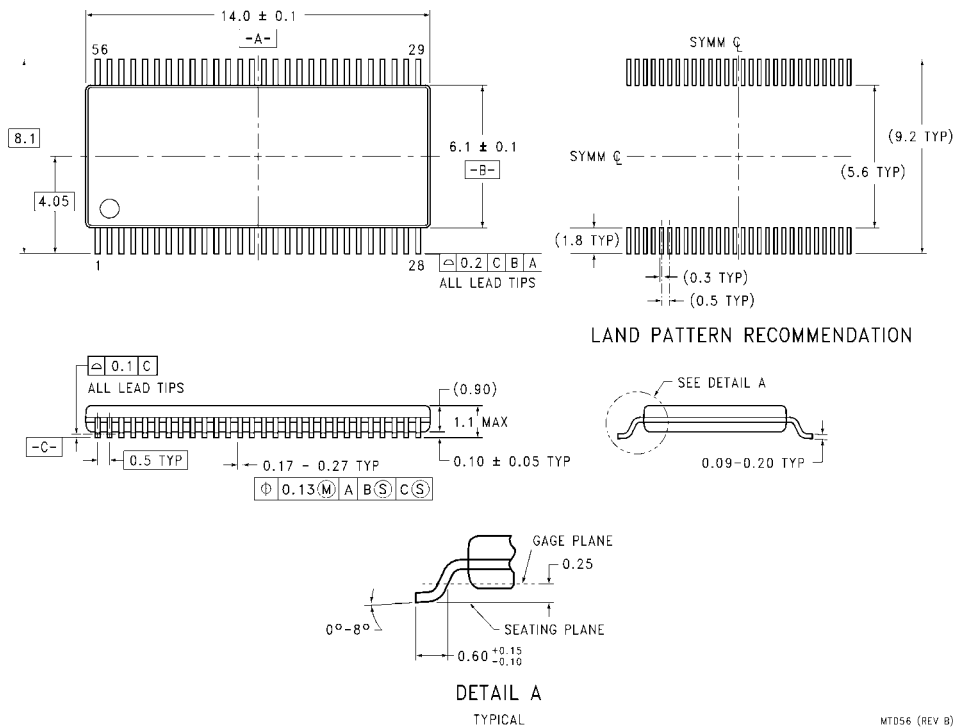
Waveform 1 is for an output with internal conditions such that the output is low except when disabled by the output control. Waveform 2 is for an output with internal conditions such that the output is high except when disabled by the output control. All input pulses have the following characteristics: frequency = 10 MHz,  $t_r = t_f = 2$  ns,  $Z_0 = 50\Omega$ . The outputs are measured one at a time with one transition per measurement.

**Physical Dimensions** inches (millimeters) unless otherwise noted



**56-Lead Shrink Small Outline Package, JEDEC MO-118 0.300" Wide  
Package Number MS56A**

**Physical Dimensions** inches (millimeters) unless otherwise noted (Continued)



**56-Lead Thin Shrink Small Outline Package, JEDEC MO-153, 6.1mm Wide  
Package Number MTD56**

MTD56 (REV B)

Fairchild does not assume any responsibility for use of any circuitry described, no circuit patent licenses are implied and Fairchild reserves the right at any time without notice to change said circuitry and specifications.

**LIFE SUPPORT POLICY**

FAIRCHILD'S PRODUCTS ARE NOT AUTHORIZED FOR USE AS CRITICAL COMPONENTS IN LIFE SUPPORT DEVICES OR SYSTEMS WITHOUT THE EXPRESS WRITTEN APPROVAL OF THE PRESIDENT OF FAIRCHILD SEMICONDUCTOR CORPORATION. As used herein:

1. Life support devices or systems are devices or systems which, (a) are intended for surgical implant into the body, or (b) support or sustain life, and (c) whose failure to perform when properly used in accordance with instructions for use provided in the labeling, can be reasonably expected to result in a significant injury to the user.
2. A critical component in any component of a life support device or system whose failure to perform can be reasonably expected to cause the failure of the life support device or system, or to affect its safety or effectiveness.

[www.fairchildsemi.com](http://www.fairchildsemi.com)

ON Semiconductor and  are trademarks of Semiconductor Components Industries, LLC dba ON Semiconductor or its subsidiaries in the United States and/or other countries. ON Semiconductor owns the rights to a number of patents, trademarks, copyrights, trade secrets, and other intellectual property. A listing of ON Semiconductor's product/patent coverage may be accessed at [www.onsemi.com/site/pdf/Patent-Marking.pdf](http://www.onsemi.com/site/pdf/Patent-Marking.pdf). ON Semiconductor reserves the right to make changes without further notice to any products herein. ON Semiconductor makes no warranty, representation or guarantee regarding the suitability of its products for any particular purpose, nor does ON Semiconductor assume any liability arising out of the application or use of any product or circuit, and specifically disclaims any and all liability, including without limitation special, consequential or incidental damages. Buyer is responsible for its products and applications using ON Semiconductor products, including compliance with all laws, regulations and safety requirements or standards, regardless of any support or applications information provided by ON Semiconductor. "Typical" parameters which may be provided in ON Semiconductor data sheets and/or specifications can and do vary in different applications and actual performance may vary over time. All operating parameters, including "Typicals" must be validated for each customer application by customer's technical experts. ON Semiconductor does not convey any license under its patent rights nor the rights of others. ON Semiconductor products are not designed, intended, or authorized for use as a critical component in life support systems or any FDA Class 3 medical devices or medical devices with a same or similar classification in a foreign jurisdiction or any devices intended for implantation in the human body. Should Buyer purchase or use ON Semiconductor products for any such unintended or unauthorized application, Buyer shall indemnify and hold ON Semiconductor and its officers, employees, subsidiaries, affiliates, and distributors harmless against all claims, costs, damages, and expenses, and reasonable attorney fees arising out of, directly or indirectly, any claim of personal injury or death associated with such unintended or unauthorized use, even if such claim alleges that ON Semiconductor was negligent regarding the design or manufacture of the part. ON Semiconductor is an Equal Opportunity/Affirmative Action Employer. This literature is subject to all applicable copyright laws and is not for resale in any manner.

## PUBLICATION ORDERING INFORMATION

### LITERATURE FULFILLMENT:

Literature Distribution Center for ON Semiconductor  
19521 E. 32nd Pkwy, Aurora, Colorado 80011 USA  
**Phone:** 303-675-2175 or 800-344-3860 Toll Free USA/Canada  
**Fax:** 303-675-2176 or 800-344-3867 Toll Free USA/Canada  
**Email:** [orderlit@onsemi.com](mailto:orderlit@onsemi.com)

**N. American Technical Support:** 800-282-9855 Toll Free  
USA/Canada  
**Europe, Middle East and Africa Technical Support:**  
Phone: 421 33 790 2910  
**Japan Customer Focus Center**  
Phone: 81-3-5817-1050

**ON Semiconductor Website:** [www.onsemi.com](http://www.onsemi.com)  
**Order Literature:** <http://www.onsemi.com/orderlit>  
For additional information, please contact your local  
Sales Representative