



Chipsmall Limited consists of a professional team with an average of over 10 year of expertise in the distribution of electronic components. Based in Hongkong, we have already established firm and mutual-benefit business relationships with customers from,Europe,America and south Asia,supplying obsolete and hard-to-find components to meet their specific needs.

With the principle of “Quality Parts,Customers Priority,Honest Operation,and Considerate Service”,our business mainly focus on the distribution of electronic components. Line cards we deal with include Microchip,ALPS,ROHM,Xilinx,Pulse,ON,Everlight and Freescale. Main products comprise IC,Modules,Potentiometer,IC Socket,Relay,Connector.Our parts cover such applications as commercial,industrial, and automotives areas.

We are looking forward to setting up business relationship with you and hope to provide you with the best service and solution. Let us make a better world for our industry!



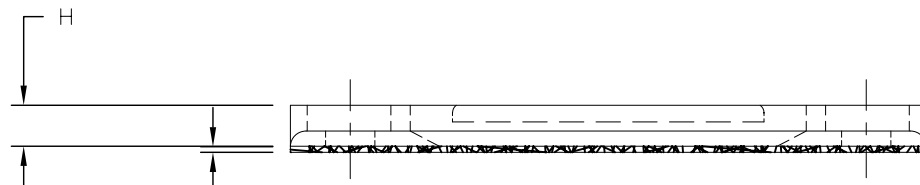
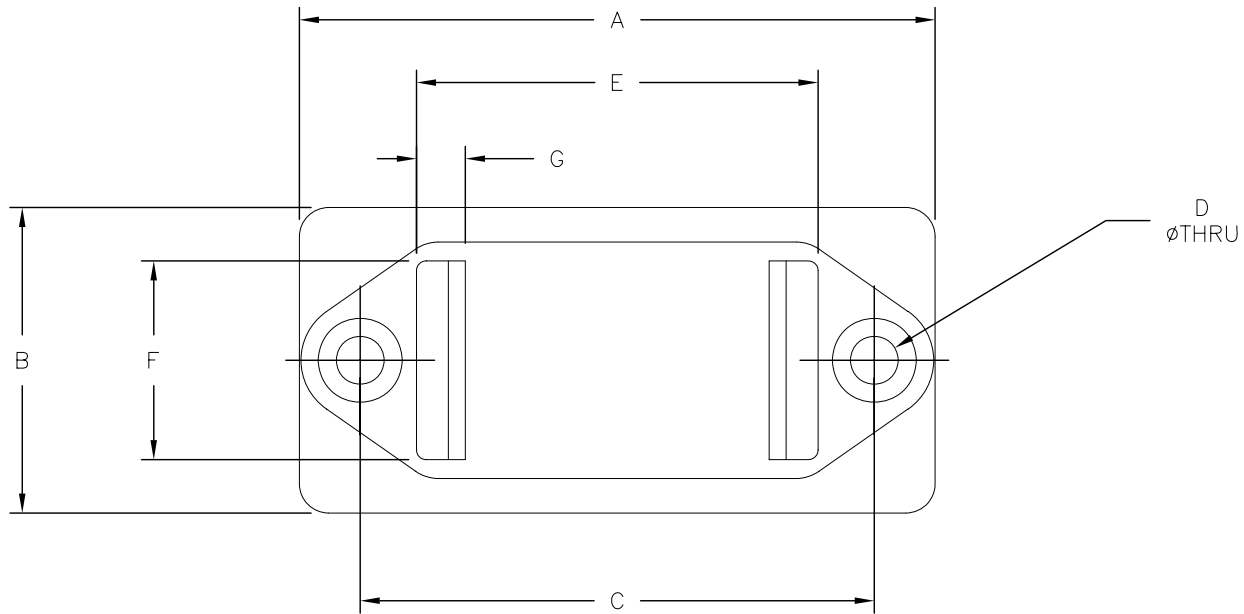
Contact us

Tel: +86-755-8981 8866 Fax: +86-755-8427 6832

Email & Skype: info@chipsmall.com Web: www.chipsmall.com

Address: A1208, Overseas Decoration Building, #122 Zhenhua RD., Futian, Shenzhen, China





.03 THK ADHESIVE
DOUBLE COATED
URETHANE FOAM TAPE
(GTM50A_ & GTM100A_ ONLY)

01

PRODUCT CODE DESCRIPTION

GTM50A_ COLOR
(CONSULT FACTORY FOR AVAILABLE COLORS)

01

01

01

PART NUMBER	MOUNTING METHOD	USED WITH GRIP TIE	A	B	C	D	E	F	G	H
GTM50_	1/4" SCREW	GT.50X6, GT.50X8, GT.50X11	2.50	1.00	1.88	.25	1.29	.52	.25	.210
GTM50A_	ADHESIVE									
GTM100_	1/4" SCREW	GT.75X15, GT ROLLS	3.25	1.50	2.62	.25	2.05	1.02	.25	.210
GTM100A_	ADHESIVE									

INVENTORS

HellermannTyton

ALL PROPRIETARY RIGHTS IN THE SUBJECT MATTER SHOWN ON THIS DRAWING ARE EXCLUSIVE PROPERTY OF HELLERMANN TYTON

name	date	city, state

REVISION

level	date	by	ECN #	part level
01	11/19/02	AAC	003514	-

DIMENSIONS

TOLERANCES	units	inches
.XXXX=		
.XXX=	±	.010
.XX=	±	.03
.X=		
∠=		
	unless otherwise specified	

PART

number	SEE CHART	phase	PRODUCTION
name	GRIP TIE MOUNTS		
material	NYLON 6/6		

DRAWING

FORMAT	AH version	M	CAD	ACAD	scale	1X
computer file number	MT\SER\3005001_01		previous number			
drawn	A.A.M.	checked	K.A.C.	approved		
date	02/01/99	checked	11/19/02	approved		
type	SERIES			sheet 1 of 1		
number	MT3005001SER					