



Chipsmall Limited consists of a professional team with an average of over 10 year of expertise in the distribution of electronic components. Based in Hongkong, we have already established firm and mutual-benefit business relationships with customers from,Europe,America and south Asia,supplying obsolete and hard-to-find components to meet their specific needs.

With the principle of “Quality Parts,Customers Priority,Honest Operation,and Considerate Service”,our business mainly focus on the distribution of electronic components. Line cards we deal with include Microchip,ALPS,ROHM,Xilinx,Pulse,ON,Everlight and Freescale. Main products comprise IC,Modules,Potentiometer,IC Socket,Relay,Connector.Our parts cover such applications as commercial,industrial, and automotives areas.

We are looking forward to setting up business relationship with you and hope to provide you with the best service and solution. Let us make a better world for our industry!



## Contact us

Tel: +86-755-8981 8866 Fax: +86-755-8427 6832

Email & Skype: info@chipsmall.com Web: www.chipsmall.com

Address: A1208, Overseas Decoration Building, #122 Zhenhua RD., Futian, Shenzhen, China



GlobTek, Inc. www.globtek.com 186 Veterans Drive, Northvale, NJ 07647 Tel. (201) 784-1000 Fax (201) 784-0111	Drawing Title: GTM91128LI1CEL, ITE / Medical Power Supply, Efficiency Level: N/A, Case Color/Style: GlobTek Black, Wall Plug-in+Desktop Combination, Li-Ion Battery Charger, Input Rating: 100-240V~, 50-60 Hz, IEC 60320/C8 , Output Rating: 4.2W, 4.2V@1.0A, Output Configuration: 1830 mm, 18/1C + Shield Cond, UL 1185, 3 Pin DC Jack, Ferrite: Core Size: 14.2*28.5*8.2, GlobTek Black, GT Cord # C9581, Pin Out: Pin 1: BAT(+), Pin 2: N/C, Pin 3: BAT(-), Blades/Input Cord: (Order Separately), Approvals: SIQ SIQ SIQ SIQ China RoHS CE RoHS China RoHS WEEE PSE Ukraine GOST-R Double Insulation cRUus ETL CB VCCI IP54	
	Model No. GTM91128LI1CEL	
	Part No./Ordering No. GTM91128LI1C1000XFX9	Rev C

## REVISION HISTORY

REV	DESCRIPTION	SUB	DATE	APPROVED
C	Update packaging from Cellular packaging to Individually Box	rchiu	08/25/2017	QA
B	Update to SF format, change circle 10 to 30, CQC PSE to TUV PSE, add ETL, Semko, Ukraine, VCCI	QA	05/01/2017	QA

In Addition to GlobTek Inc.'s renewed ISO9001:2008 - Quality Management System Certification, GlobTek Inc. is now certified to:

ISO13485:2003 - Medical Devices Quality Management System Certification  
ISO14001:2004 - Environmental Management System Certification

ISO Certificates are available online at <http://www.globtek.com/iso-certificates/>

### Customer Approval of Specification:

Please approve, sign and send back to GlobTek so we can complete order processing.

A delay in receipt of this form will delay delivery schedule.

Company Name:

Customer P/N:

Quote Number:

Date:

Authorized Representative Name:

Authorized Representative Signature:

The acceptance of this specification and use of the product described in this document indicates the acceptance and binding of the customer to Globtek terms and conditions, which supersede all other agreements, terms, and conditions (<http://en.globtek.com/terms-and-conditions/>).

### Footnote:

GlobTek Inc. will not be liable for the safety and performance of these power supplies if unauthorized access and repair occurs. End user should consult applicable UL, CSA or EN standards for proper installation instruction.

### Limitation of Use:

GlobTek product are not authorized for use as mission critical components in life support hazardous environment, nuclear or aircraft applications without prior written approval from the CEO of GlobTek Inc.

Contents of this document are subject to change without prior notice.

GTM91128LI1CEL, 4.2W, 4.2V@1.0A, Wall Plug-in+Desktop Combination, Li-Ion Battery Charger

PROPRIETARY INFORMATION

PROPRIETARY OF GLOBTEK, INC. ANY REPRODUCTION, DISCLOSURE OR USE OF THIS DRAWING, IN WHOLE OR IN PART, IS HEREBY PROHIBITED EXCEPT AS SPECIFIED IN WRITING BY GLOBTEK, INC.

Page 1 of 12

quest /08/17/2018 9:33:11 AM

GloTek, Inc. www.globtek.com 186 Veterans Drive, Northvale, NJ 07647 Tel. (201) 784-1000 Fax (201) 784-0111	Drawing Title: GTM91128LI1CEL, ITE / Medical Power Supply, Efficiency Level: N/A, Case Color/Style: GlobTek Black, Wall Plug-in+Desktop Combination, Li-Ion Battery Charger, Input Rating: 100-240V~, 50-60 Hz, IEC 60320/C8 , Output Rating: 4.2W, 4.2V@1.0A, Output Configuration: 1830 mm, 18/1C + Shield Cond, UL 1185, 3 Pin DC Jack, Ferrite: Core Size: 14.2*28.5*8.2, GlobTek Black, GT Cord # C9581, Pin Out: Pin 1: BAT(+),Pin 2: N/C,Pin 3: BAT(-), Blades/Input Cord: (Order Separately), Approvals: SIQ SIQ SIQ SIQ China RoHS CE RoHS China RoHS WEEE PSE Ukraine GOST-R Double Insulation cRUus ETL CB VCCI IP54	
	Model No. GTM91128LI1CEL	
	Part No./Ordering No. GTM91128LI1C1000XFX9	Rev C

## POWER SUPPLY INFORMATION

TYPE: Wall Plug-in+Desktop Combination  
TECHNOLOGY: Li-Ion Battery Charger  
CASE COLOR: GlobTek Black  
NAMEPLATE RATED INPUT: 100-240V~, 50-60 Hz, 1.5A  
INPUT CONFIG: IEC 60320/C8  
WATTS: 4.2  
VOLTS OUT: 4.2  
CURRENT OUT (Amps): 1.0  
BLADE/CORD INCLUDED: None:  
BLADE/CORD INSTALLED: None:  
GROUNDING CONFIGURATION (F1) Class II / Double Insulated  
EFFICIENCY LEVEL: N/A  
OUTPUT CONFIGURATION 1830 mm, 18/1C + Shield Cond, UL 1185, 3 Pin DC Jack, Ferrite: Core Size: 14.2\*28.5\*8.2, GlobTek Black, GT Cord # C9581  
CONNECTOR PIN OUT: Pin 1: BAT(+),Pin 2: N/C,Pin 3: BAT(-)  
LABEL SPECS: GTM91128LIXCEL label,L-1555  
PACK SPEC: Standard WPI, Individually Box

Notes/Modifications/Customizations (notes in this section supersede the values shown in the standard spec):

DIMENSIONS ARE IN MM UNLESS SPECIFIED OTHERWISE.

GloBtek, Inc. www.globtek.com 186 Veterans Drive, Northvale, NJ 07647 Tel. (201) 784-1000 Fax (201) 784-0111	Drawing Title: GTM91128LI1CEL, ITE / Medical Power Supply, Efficiency Level: N/A, Case Color/Style: GlobTek Black, Wall Plug-in+Desktop Combination, Li-Ion Battery Charger, Input Rating: 100-240V~, 50-60 Hz, IEC 60320/C8 , Output Rating: 4.2W, 4.2V@1.0A, Output Configuration: 1830 mm, 18/1C + Shield Cond, UL 1185, 3 Pin DC Jack, Ferrite: Core Size: 14.2*28.5*8.2, GlobTek Black, GT Cord # C9581, Pin Out: Pin 1: BAT(+), Pin 2: N/C, Pin 3: BAT(-), Blades/Input Cord: (Order Separately), Approvals: SIQ SIQ SIQ SIQ China RoHS CE RoHS China RoHS WEEE PSE Ukraine GOST-R Double Insulation cRUus ETL CB VCCI IP54	
	Model No. GTM91128LI1CEL	
	Part No./Ordering No. GTM91128LI1C1000XF9	Rev C

## ELECTRICAL SPECIFICATIONS

### A) ELECTRICAL SPECIFICATIONS

- Input Voltage: Specified 90-264 Vac, Nameplate rated: 100-240Vac  
Input Frequency: Specified 47-63 Hz, Nameplate rated 50-60Hz  
Input Current: < 1.5A RMS Max
01. Pre-Charge Current: 10% of bulk charge current (typical)
  02. Bulk Charge Current: see table for nominal value,  $\pm 10\%$  max variance
  03. Full Charge Voltage: 1 cell: 4.2Vdc; 2 cell: 8.4Vdc, 3 cell: 12.6Vdc, +/-1% Max Variance
  04. Charge Termination Current: 10% of bulk charge current (typical)
  05. Pre-Charge to Bulk Charge Battery Transition Voltage: 1 cell: 2.86Vdc to 3.15Vdc, 2 cell: 5.72Vdc to 6.30Vdc; 3 cell: 8.58Vdc to 9.45Vdc Charger will be in pre-charge mode when the battery voltage is below the transition voltage.
  06. Battery Charging Ambient Temperature: 0°C to 35°C
  07. Back-Up Charge Termination Timer: 3 hours standard. Timer may be set to 3 to 12 hours range for batteries with high Ahr capacity by GT engineering. Charger will terminate charging when timer expired. Please advise Sales dept of you battery Ahr capacity.
  08. LED Charge Status Indicator
    - a. Pre-Charge: Solid Amber
    - b. Bulk Charge: Solid Amber
    - c. Charge Complete: Solid Green
    - d. No battery or Fault: Green and Amber LED off

### B) ENERGY EFFICIENCY PERFORMANCE

01. CEC Compliant, to Battery Charger Requirements, with up to 10Ahr battery
02. DOE Compliant, to Battery Charger Requirements, with up to 10Ahr battery

### C) PROTECTION MODES\*

01. Over Voltage Protection: 1 cell: 4.6Vdc - 5.0Vdc, 2 cell: 9.2Vdc - 10.0Vdc; 3 cell: 9.2Vdc - 10.0Vdc Charger will terminate charging when over voltage occurs
02. Short Circuit Protection: Charger will not commence charging when BAT+ and BAT- are shorted
03. Over Temperature Protection: Charger will terminate charging if battery temperature reached 45°C $\pm 3$ °C. Charger will autorecover when temperature drops to about 30°C $\pm 3$ °C. For this feature, 10Kohm thermistor (NTC, 103AT) is required to be installed inside the battery pack. For battery packs without the thermistor, over temperature protection feature is not available and a 10K Ohm resistor is installed inside the charger to bypass the over temperature protection circuit.
04. Reverse Battery Protection: Battery should be mechanically protected from being installed reversed
05. Defective Battery Protection: If battery voltage will not rise above the pre-charge to bulk charge transition voltage (2.86Vdc to 3.15Vdc) within 30 minutes from the time pre-charging begins, the battery is considered defective and the charger will terminate charging.

\*When fault condition occurs, the battery has to be removed from the charger and reinstalled after at least 3 seconds to reset the protection. Charging will commence after battery reinstallation only when the fault is cleared.

### D) SAFETY

1. IEC 60950-1, IEC 60601-1, IEC 60335-1, IEC 61558-1.
2. Dielectric Withstand Voltage: 5656 Vdc from primary to secondary
3. Earth Leakage Current: N/A for Class II units, there is no PE Ground pin, so Earth Leakage current is not measured
4. Touch Current: Maximum allowed values: 100uA NC(Normal condition) 500uA SFC(single fault condition)

### E) OTHER:

01. MTBF: 300,000 Hours @ 25°C ambient temperature
02. Operating Temperature: 0°C to 35°C ambient temperature
03. Humidity: 0% to 90% relative humidity
04. Storage Temperature: -10°C to 70°C
05. Cooling: Convection

### F) ENCLOSURE

01. Housing: High impact plastic, 94V0 polycarbonate, non-vented

#### PROPRIETARY INFORMATION

PROPRIETARY OF GLOBTEK, INC. ANY REPRODUCTION, DISCLOSURE OR USE OF THIS DRAWING, IN WHOLE OR IN PART, IS HEREBY PROHIBITED EXCEPT AS SPECIFIED IN WRITING BY GLOBTEK, INC.

quest /08/17/2018 9:33:11 AM

GlobTek, Inc.  
 www.globtek.com  
 186 Veterans Drive,  
 Northvale, NJ 07647  
 Tel. (201) 784-1000  
 Fax (201) 784-0111

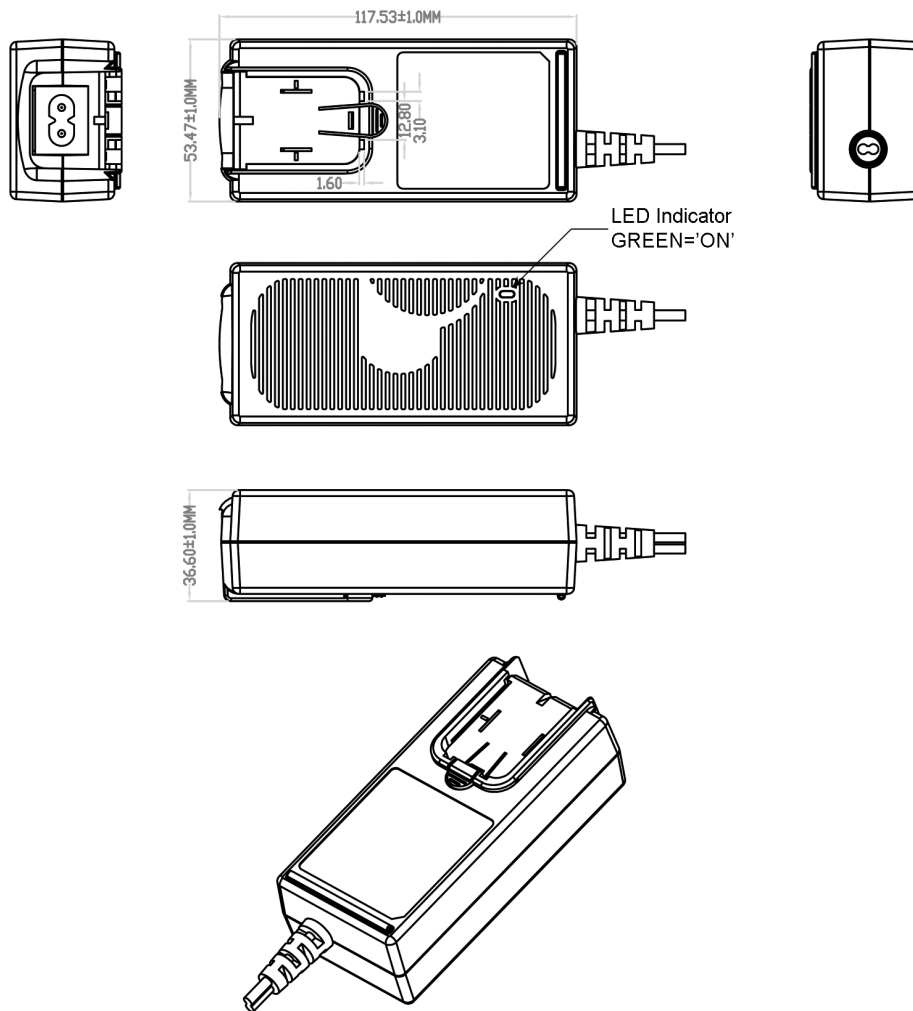
Drawing Title: GTM91128LI1CEL, ITE / Medical Power Supply, Efficiency Level: N/A, Case Color/Style: GlobTek Black, Wall Plug-in+Desktop Combination, Li-Ion Battery Charger, Input Rating: 100-240V~, 50-60 Hz, IEC 60320/C8 , Output Rating: 4.2W, 4.2V@1.0A, Output Configuration: 1830 mm, 18/1C + Shield Cond, UL 1185, 3 Pin DC Jack, Ferrite: Core Size: 14.2\*28.5\*8.2, GlobTek Black, GT Cord # C9581, Pin Out: Pin 1: BAT(+), Pin 2: N/C, Pin 3: BAT(-), Blades/Input Cord: (Order Separately), Approvals: SIQ SIQ SIQ SIQ China RoHS CE RoHS China RoHS WEEE PSE Ukraine GOST-R Double Insulation cRUus ETL CB VCCI IP54

Model No. GTM91128LI1CEL

Part No./Ordering No. GTM91128LI1C1000XF9

Rev C

- 02. Size: 53.47\*117.53\*36.6 +/-1.0 mm
- 03. Markings: Label and/or Pad Printed and/or Molded in the case
- 04. GREEN LED to indicate (see above electrical specifications)



 **DESKTOP INSERT INSTALL**



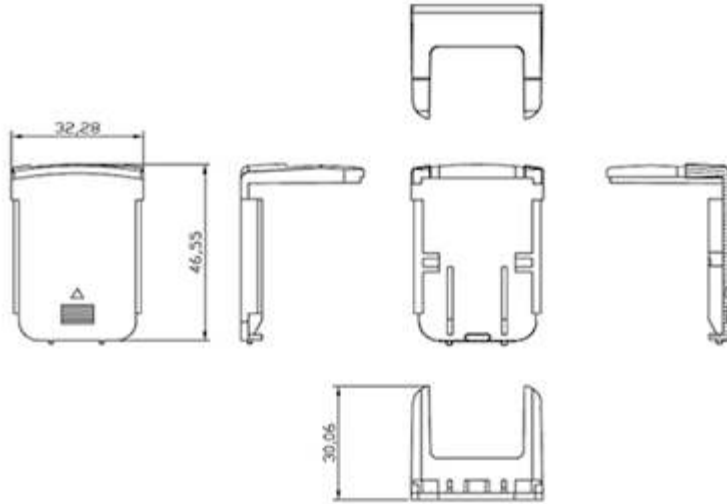
GlobTek, Inc.  
 www.globtek.com  
 186 Veterans Drive,  
 Northvale, NJ 07647  
 Tel. (201) 784-1000  
 Fax (201) 784-0111

Drawing Title: GTM91128LI1CEL, ITE / Medical Power Supply, Efficiency Level: N/A, Case Color/Style: GlobTek Black, Wall Plug-in+Desktop Combination, Li-Ion Battery Charger, Input Rating: 100-240V~, 50-60 Hz, IEC 60320/C8 , Output Rating: 4.2W, 4.2V@1.0A, Output Configuration: 1830 mm, 18/1C + Shield Cond, UL 1185, 3 Pin DC Jack, Ferrite: Core Size: 14.2\*28.5\*8.2, GlobTek Black, GT Cord # C9581, Pin Out: Pin 1: BAT(+), Pin 2: N/C, Pin 3: BAT(-), Blades/Input Cord: (Order Separately), Approvals: SIQ SIQ SIQ SIQ China RoHS CE RoHS China RoHS WEEE PSE Ukraine GOST-R Double Insulation cRUus ETL CB VCCI IP54

Model No. GTM91128LI1CEL

Part No./Ordering No. GTM91128LI1C1000XFX9

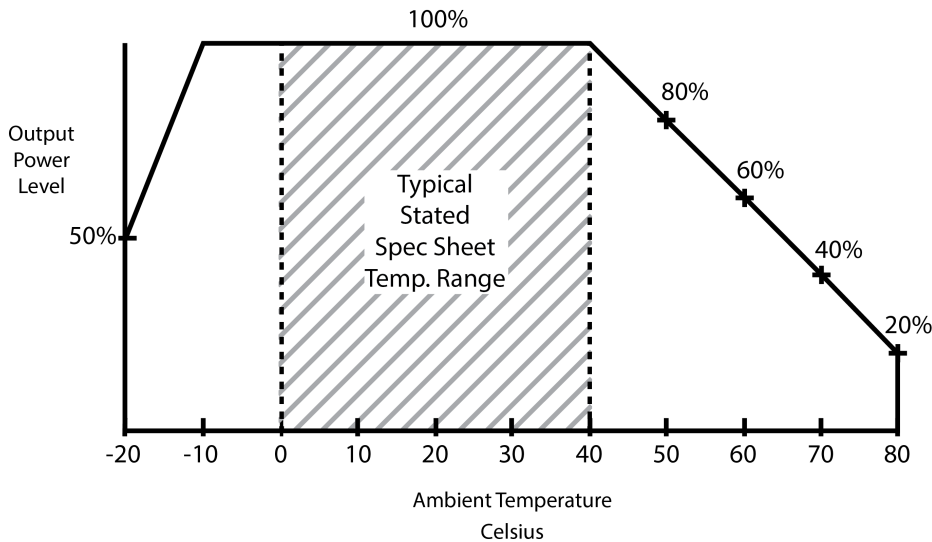
Rev C



DERATING CURVE

**Typical External  
 Power Supply Derating Curve**

(For Efficiency Level V and Efficiency Level VI Products)



GlobTek, Inc. www.globtek.com 186 Veterans Drive, Northvale, NJ 07647 Tel. (201) 784-1000 Fax (201) 784-0111	Drawing Title: GTM91128LI1CEL, ITE / Medical Power Supply, Efficiency Level: N/A, Case Color/Style: GlobTek Black, Wall Plug-in+Desktop Combination, Li-Ion Battery Charger, Input Rating: 100-240V~, 50-60 Hz, IEC 60320/C8 , Output Rating: 4.2W, 4.2V@1.0A, Output Configuration: 1830 mm, 18/1C + Shield Cond, UL 1185, 3 Pin DC Jack, Ferrite: Core Size: 14.2*28.5*8.2, GlobTek Black, GT Cord # C9581, Pin Out: Pin 1: BAT(+), Pin 2: N/C, Pin 3: BAT(-), Blades/Input Cord: (Order Separately), Approvals: SIQ SIQ SIQ SIQ China RoHS CE RoHS China RoHS WEEE PSE Ukraine GOST-R Double Insulation cRUus ETL CB VCCI IP54	
	Model No. GTM91128LI1CEL	
	Part No./Ordering No. GTM91128LI1C1000XF9	Rev C

## INPUT CONFIGURATION

Grounding Configuration:

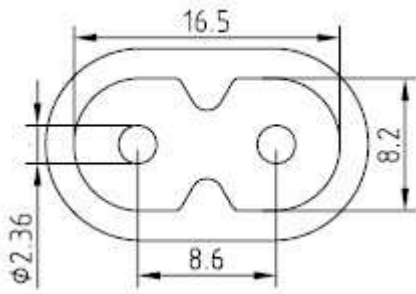
Blades/Cord Included: None:

Blades/Cord Installed: None:

IEC 60320/C8 AC Inlet connector

[Blade Insertion Instructions](#)

[R-Blade Style Instruction Video](#)



Mates with IEC 60320/C7 Plug

This series of Interchangeable Blade products may be used with Proprietary Interchangeable Blades as described below or with standard international power cords.

Optional INPUT BLADES: R-Socket: below are available blades configurations which are "not included" (unless stated above); may be purchased separately, packaged with power supply, or as a separate "R-KIT" if specified

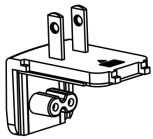
1. Class II model NEMA 1-15P AC power plug with 2 prongs, R-NA-2(R)
2. Australian AS 3112 configuration: SAA 2 pins Class II, R-SAA-2(R)
3. UK BS 1363 configuration: UK 2 pins (dummy Ground) Class II, R-UK-2(R)
4. European CEE 7/16 configuration: Europlug 2 PINS, Class II, R-EU-2(R)
5. China GB 2099 configuration: 2 blades, Class II; CN P/N:R-CN-2(R)

6. Desktop Insert

Kits

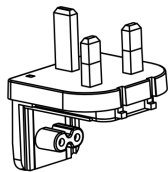
05. R-KIT: 1,2,3,4 above

06. R-KIT-INTL: 2,3,4 above



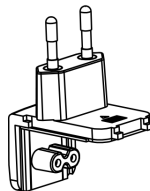
**UL 2P**

P/N: R-NA-2(R)  
 NORTH AMERICA  
 JAPAN



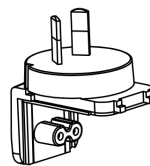
**UK 2P**

P/N: R-UK-2(R)  
 UNITED KINGDOM  
 HONG KONG  
 SINGAPORE



**EU 2P**

P/N: R-EU-2(R)  
 EUROPE  
 SOUTH AMERICA



**AUS 2P**

P/N: R-SAA-2(R)  
 AUSTRALIA

GloTek, Inc. www.globtek.com 186 Veterans Drive, Northvale, NJ 07647 Tel. (201) 784-1000 Fax (201) 784-0111	Drawing Title: GTM91128LI1CEL, ITE / Medical Power Supply, Efficiency Level: N/A, Case Color/Style: GlobTek Black, Wall Plug-in+Desktop Combination, Li-Ion Battery Charger, Input Rating: 100-240V~, 50-60 Hz, IEC 60320/C8 , Output Rating: 4.2W, 4.2V@1.0A, Output Configuration: 1830 mm, 18/1C + Shield Cond, UL 1185, 3 Pin DC Jack, Ferrite: Core Size: 14.2*28.5*8.2, GlobTek Black, GT Cord # C9581, Pin Out: Pin 1: BAT(+), Pin 2: N/C, Pin 3: BAT(-), Blades/Input Cord: (Order Separately), Approvals: SIQ SIQ SIQ SIQ China RoHS CE RoHS China RoHS WEEE PSE Ukraine GOST-R Double Insulation cRUus ETL CB VCCI IP54	
	Model No. GTM91128LI1CEL	
	Part No./Ordering No. GTM91128LI1C1000XFX9	Rev C

Standard Cordsets

Below are standard cordsets which are "not included" (unless stated above); these may be purchased separately or packaged with the power supply. Contact your Sales Engineer if the style required is not shown below. Many more available in different lengths, colors or cable material.

Standard International IEC 320/C7 Cordsets

<a href="#">4511116F703A(R)</a>	N. American, Type A	NEMA 1-15P	IEC 320/C7	1830	6
<a href="#">5014112M703A(R)</a>	Australian	AS 3112	IEC 320/C7	2000	7
<a href="#">2094112M703(R)</a>	Argentina	IRAM 2063	IEC 320/C7	2000	7
<a href="#">4533501M8703(R)</a>	China	GB 2099.1	IEC 320/C7	1830	6
<a href="#">2074112M703A(R)</a>	European, Type C	CEE 7/16	IEC 320/C7	2000	7
<a href="#">451J3401M8703(R)</a>	Japan	JIS 8303	IEC 320/C7	1830	6
<a href="#">6104112M703A(R)</a>	UK, Type G	BS1363	IEC 320/C7	2000	7
<a href="#">2044112M703®</a>	Korea	KS C8305	IEC 320/C7	2000	7
<a href="#">4033401M8703A(R)</a>	Taiwan	CNS690	IEC 320/C7	1830	6
<a href="#">207B4111M8703(R)</a>	Brazil	NBR14136	IEC 320/C7	1800	6



GloTek, Inc. www.globtek.com 186 Veterans Drive, Northvale, NJ 07647 Tel. (201) 784-1000 Fax (201) 784-0111	Drawing Title: GTM91128LI1CEL, ITE / Medical Power Supply, Efficiency Level: N/A, Case Color/Style: GlobTek Black, Wall Plug-in+Desktop Combination, Li-Ion Battery Charger, Input Rating: 100-240V~, 50-60 Hz, IEC 60320/C8 , Output Rating: 4.2W, 4.2V@1.0A, Output Configuration: 1830 mm, 18/1C + Shield Cond, UL 1185, 3 Pin DC Jack, Ferrite: Core Size: 14.2*28.5*8.2, GlobTek Black, GT Cord # C9581, Pin Out: Pin 1: BAT(+),Pin 2: N/C,Pin 3: BAT(-), Blades/Input Cord: (Order Separately), Approvals: SIQ SIQ SIQ SIQ China RoHS CE RoHS China RoHS WEEE PSE Ukraine GOST-R Double Insulation cRUus ETL CB VCCI IP54	
	Model No. GTM91128LI1CEL	
	Part No./Ordering No. GTM91128LI1C1000XF9	Rev C

**OUTPUT CORD AND CONNECTOR: FX9-3/C9581**

ACTUAL CONNECTORS, OVERMOLDS, FERRITES MAY VARY SLIGHTLY FROM THE PICTURE BELOW

CABLE TYPE	UL 1185
CABLE LENGTH (mm)	1830
CABLE TOLERANCE (mm)	+150-0
WIRE GAUGE (AWG)	18
CONDUCTORS	1C + Shield
HANK DIMENSION (mm)	80 +10 -10
CABLE / CONNECTOR OVERMOLD COLOR	GlobTek Black
FERRITE TYPE / DIMENSION	Core Size: 14.2*28.5*8.2
FERRITE # OF TURNS ( <a href="#">Definition</a> )	1 Pass thru core (0 turns)
FERRITE DIMENSION FROM STRAIN RELIEF	50 ±10
FERRITE DIMENSION FROM PLUG	N/A
PLUG TYPE	3 Pin DC Jack
OVER MOLD ORIENTATION	Straight
CONNECTOR PIN OUT:	Pin 1: BAT(+),Pin 2: N/C,Pin 3: BAT(-)

**ADDITIONAL REQUIREMENTS**

ADDITIONAL OUTPUT PLUG OPTIONS ARE AVAILABLE AT <http://www.globtek.com/connectors/>  
STANDARD PLUGS AND CONNECTORS CAN BE SEEN ONLINE AT <http://www.globtek.com/connectors/>

GlobTek, Inc. www.globtek.com 186 Veterans Drive, Northvale, NJ 07647 Tel. (201) 784-1000 Fax (201) 784-0111	Drawing Title: GTM91128LI1CEL, ITE / Medical Power Supply, Efficiency Level: N/A, Case Color/Style: GlobTek Black, Wall Plug-in+Desktop Combination, Li-Ion Battery Charger, Input Rating: 100-240V~, 50-60 Hz, IEC 60320/C8 , Output Rating: 4.2W, 4.2V@1.0A, Output Configuration: 1830 mm, 18/1C + Shield Cond, UL 1185, 3 Pin DC Jack, Ferrite: Core Size: 14.2*28.5*8.2, GlobTek Black, GT Cord # C9581, Pin Out: Pin 1: BAT(+), Pin 2: N/C, Pin 3: BAT(-), Blades/Input Cord: (Order Separately), Approvals: SIQ SIQ SIQ SIQ China RoHS CE RoHS China RoHS WEEE PSE Ukraine GOST-R Double Insulation cRUus ETL CB VCCI IP54	
	Model No. GTM91128LI1CEL	
	Part No./Ordering No. GTM91128LI1C1000XFX9	Rev C

**LABEL:L-1555**

LABEL P/N: GTM91128LIXCEL label  
 MATERIAL: Flat Thermal Transfer, Imprintable, Polyester Label and/or Pad Printed and/or Molded, and/or Laser Engraved in the case  
 BACKGROUND COLOR: Black if housing is Black, White or Silver if housing is White or Gray.  
 TEXT COLOR: White or Silver if label is Black Background for Black housing. Black if label is White or Silver background and Housing is White or Gray  
 LABEL WIDTH (mm): 45.0  
 LABEL HEIGHT (mm): 50.0

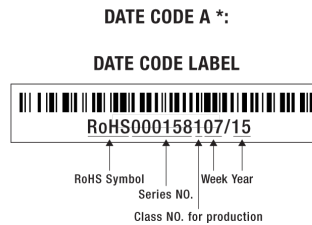
Below is the minimum information which will appear on the label. NOTE: in the logo area additional/actual positioning of symbols and text is subjected to change as per agency updates/requirements or additional model approvals become available. Regulatory certifications/label markings may be in logo area on the label or molded into the case housing outside the label area. Information will be shown via label and/or pad printed and/or molded and/or laser engraved in the case. \* Date code markings at GlobTek option.

1. Add on the label:

**Charge Status Indicator**

Description	LED Status
Charging	Solid Amber
Charge Complete	Solid Green
No Battery or Fault	Green and Amber LED off

2. Add "Li-Ion BATTERY CHARGER" below line 'A'



DATE CODE A \*:

DATE CODE LABEL

or

DATE CODE B \*:

WWYY  
 WW = WEEK  
 YY = YEAR

A=ITE / Medical Power Supply  
 B=P/N: (料号) GTM91128LI1C1000XFX9

GlobTek, Inc. www.globtek.com 186 Veterans Drive, Northvale, NJ 07647 Tel. (201) 784-1000 Fax (201) 784-0111	Drawing Title: GTM91128LI1CEL, ITE / Medical Power Supply, Efficiency Level: N/A, Case Color/Style: GlobTek Black, Wall Plug-in+Desktop Combination, Li-Ion Battery Charger, Input Rating: 100-240V~, 50-60 Hz, IEC 60320/C8 , Output Rating: 4.2W, 4.2V@1.0A, Output Configuration: 1830 mm, 18/1C + Shield Cond, UL 1185, 3 Pin DC Jack, Ferrite: Core Size: 14.2*28.5*8.2, GlobTek Black, GT Cord # C9581, Pin Out: Pin 1: BAT(+), Pin 2: N/C, Pin 3: BAT(-), Blades/Input Cord: (Order Separately), Approvals: SIQ SIQ SIQ SIQ China RoHS CE RoHS China RoHS WEEE PSE Ukraine GOST-R Double Insulation cRUus ETL CB VCCI IP54	
	Model No. GTM91128LI1CEL	
	Part No./Ordering No. GTM91128LI1C1000XFX9	Rev C

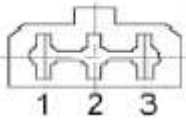
C=Model (型号) GTM91128LI1CEL  
 D=Input (输入) 100-240V~, 50-60 Hz, 1.5A  
 E=Output (输出) 4.2 V  $\equiv$  1.0 A, 4.2W

- AGENCY ONLINE DOCUMENTS <http://globtek.info/certs/GTM91128%20Lithium%20Ion%20Battery/>
- CE EC-Declaration for Medical [http://www.globtek.com/pdf/ec\\_declaration/a0Oa000000C2KH4EAN](http://www.globtek.com/pdf/ec_declaration/a0Oa000000C2KH4EAN)
- CE EC-Declaration for Industrial/Commercial/ITE [http://www.globtek.com/pdf/ec\\_declaration/a0Oa000000C2KH4EAN](http://www.globtek.com/pdf/ec_declaration/a0Oa000000C2KH4EAN)
- RoHS/RoHS2 Declaration [http://www.globtek.com/pdf/rohs\\_cert/01ta0000005J4tEAAS](http://www.globtek.com/pdf/rohs_cert/01ta0000005J4tEAAS)
- REACH Declaration [http://www.globtek.com/pdf/iso\\_certificates/REACH.pdf](http://www.globtek.com/pdf/iso_certificates/REACH.pdf)
- Conflict Minerals Declaration <http://www.globtek.com/pdf/conflict-minerals.pdf>

IPXY rating is based on 3rd party testing and customers should check suitability and test system level IPXY rating before ordering.

## Regulatory Certifications/Label Markings

- LATEST PRODUCT/MODEL CERTIFICATIONS: <http://en.globtek.com/datasheet/id/a0Oa000000C2KH4>
- AGENCY ONLINE DOCUMENTS: <http://globtek.info/certs/GTM91128%20Lithium%20Ion%20Battery/>



Pin 1: BAT(+), Pin 2: N/C, Pin 3: BAT(-)

GlobTek, Inc. www.globtek.com 186 Veterans Drive, Northvale, NJ 07647 Tel. (201) 784-1000 Fax (201) 784-0111	Drawing Title: GTM91128LI1CEL, ITE / Medical Power Supply, Efficiency Level: N/A, Case Color/Style: GlobTek Black, Wall Plug-in+Desktop Combination, Li-Ion Battery Charger, Input Rating: 100-240V~, 50-60 Hz, IEC 60320/C8 , Output Rating: 4.2W, 4.2V@1.0A, Output Configuration: 1830 mm, 18/1C + Shield Cond, UL 1185, 3 Pin DC Jack, Ferrite: Core Size: 14.2*28.5*8.2, GlobTek Black, GT Cord # C9581, Pin Out: Pin 1: BAT(+), Pin 2: N/C, Pin 3: BAT(-), Blades/Input Cord: (Order Separately), Approvals: SIQ SIQ SIQ SIQ China RoHS CE RoHS China RoHS WEEE PSE Ukraine GOST-R Double Insulation cRUus ETL CB VCCI IP54	
	Model No. GTM91128LI1CEL	
	Part No./Ordering No. GTM91128LI1C1000XFX9	Rev C

**PACKAGING**

Packing Spec P/N: Standard WPI, Individually  
Box

Box Qty: 60

Gift Box Size (mm): 142\*60\*62

Gift Box Color: White

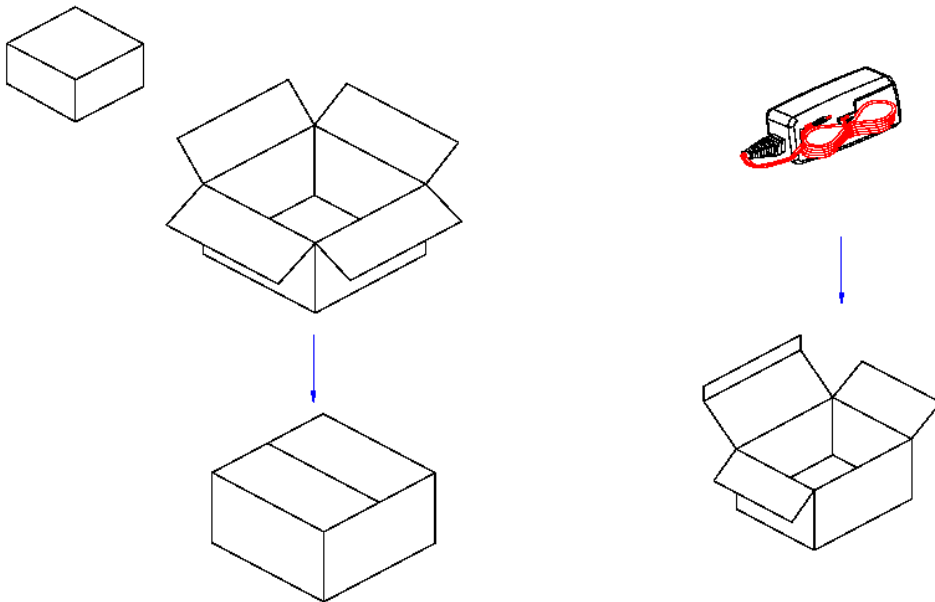
Master Carton Size (mm): 442\*330\*275

Master GW (Kg): 15.2 kg

BLADES INCLUDED: None:

BLADE/CORD INSTALLED: None:

If specific packaging is required, this section must specify all requirements and note "no exceptions". If this section does not specify packaging, it is subject to change without notice at GlobTek's discretion



GloTek, Inc. www.globtek.com 186 Veterans Drive, Northvale, NJ 07647 Tel. (201) 784-1000 Fax (201) 784-0111	Drawing Title: GTM91128LI1CEL, ITE / Medical Power Supply, Efficiency Level: N/A, Case Color/Style: GlobTek Black, Wall Plug-in+Desktop Combination, Li-Ion Battery Charger, Input Rating: 100-240V~, 50-60 Hz, IEC 60320/C8 , Output Rating: 4.2W, 4.2V@1.0A, Output Configuration: 1830 mm, 18/1C + Shield Cond, UL 1185, 3 Pin DC Jack, Ferrite: Core Size: 14.2*28.5*8.2, GlobTek Black, GT Cord # C9581, Pin Out: Pin 1: BAT(+),Pin 2: N/C,Pin 3: BAT(-), Blades/Input Cord: (Order Separately), Approvals: SIQ SIQ SIQ SIQ China RoHS CE RoHS China RoHS WEEE PSE Ukraine GOST-R Double Insulation cRUus ETL CB VCCI IP54	
	Model No. GTM91128LI1CEL	
	Part No./Ordering No. GTM91128LI1C1000XFX9	Rev C

INSTRUCTION SHEET

N/A