



Chipsmall Limited consists of a professional team with an average of over 10 year of expertise in the distribution of electronic components. Based in Hongkong, we have already established firm and mutual-benefit business relationships with customers from,Europe,America and south Asia,supplying obsolete and hard-to-find components to meet their specific needs.

With the principle of “Quality Parts,Customers Priority,Honest Operation,and Considerate Service”,our business mainly focus on the distribution of electronic components. Line cards we deal with include Microchip,ALPS,ROHM,Xilinx,Pulse,ON,Everlight and Freescale. Main products comprise IC,Modules,Potentiometer,IC Socket,Relay,Connector.Our parts cover such applications as commercial,industrial, and automotives areas.

We are looking forward to setting up business relationship with you and hope to provide you with the best service and solution. Let us make a better world for our industry!



Contact us

Tel: +86-755-8981 8866 Fax: +86-755-8427 6832

Email & Skype: info@chipsmall.com Web: www.chipsmall.com

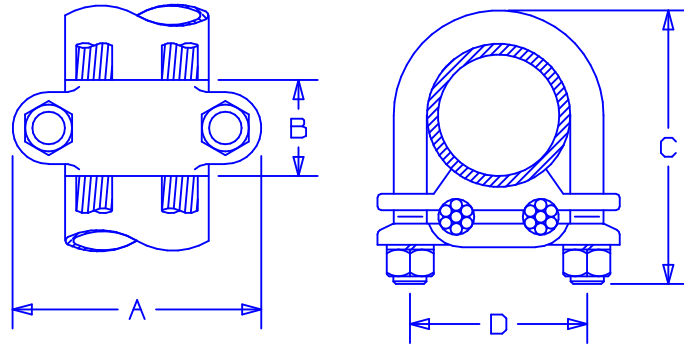
Address: A1208, Overseas Decoration Building, #122 Zhenhua RD., Futian, Shenzhen, China



NOTES:

1. MADE FROM HIGH COPPER CONTENT ALLOY. FURNISHED WITH FULL THREADED SILICON BOLT, NUTS, AND LOCKWASHERS.

2. PKG. QTY. : X=10



PANDUIT PART NUMBER	NOMIAL PIPE SIZE (IPS)	CONDUCTOR RANGE	WIRE DIAMETER RANGE IN.	DIMENSIONS								BOLT DIA.
				A		B		C		D		
				IN.	MM	IN.	MM	IN.	MM	IN.	MM	
GU-2-X	1	4 SOL. -2/0 STR.	.204 - .419	2.75	70	1.13	28	3.25	82	1.75	44	3/8
GU-4-X	1 1/4	8 SOL. -4 STR.	.128 - .232	3	76	1.13	28	3.25	82	2.06	53	3/8
GU-13-3	2	300-500 kcmil	.634 - .815	4	102	1.50	38	4.63	118	2.94	75	1/2

C41358_00



CORP.

TINLEY PARK, ILLINOIS

BRONZE GROUND CLMAP CONNECTOR
GU SERIES CUSTOMER DRAWING

00	11/02	CJW		DRAWING RELEASED								
REV	DATE	BY	CHK	DESCRIPTION	ECN #	PM	CUST	DRAWN BY	CHK'D	SCALE	DRAWING NO.	
								CJW		NONE	C41358	