



Chipsmall Limited consists of a professional team with an average of over 10 year of expertise in the distribution of electronic components. Based in Hongkong, we have already established firm and mutual-benefit business relationships with customers from,Europe,America and south Asia,supplying obsolete and hard-to-find components to meet their specific needs.

With the principle of "Quality Parts,Customers Priority,Honest Operation,and Considerate Service",our business mainly focus on the distribution of electronic components. Line cards we deal with include Microchip,ALPS,ROHM,Xilinx,Pulse,ON,Everlight and Freescale. Main products comprise IC,Modules,Potentiometer,IC Socket,Relay,Connector.Our parts cover such applications as commercial,industrial, and automotives areas.

We are looking forward to setting up business relationship with you and hope to provide you with the best service and solution. Let us make a better world for our industry!



Contact us

Tel: +86-755-8981 8866 Fax: +86-755-8427 6832

Email & Skype: info@chipsmall.com Web: www.chipsmall.com

Address: A1208, Overseas Decoration Building, #122 Zhenhua RD., Futian, Shenzhen, China





Precision Wirewound Potentiometer - 7/8" (22mm)



FEATURES:

- special resistance tolerances to 1%
- rear shaft extensions and support bearing
- non turn lug
- insulating plastic shaft
- special independent linearity to $\pm 0.75\%$
- dual gang configuration and concentric shafts
- high torque and center tap
- special markings and front shaft extensions
- servo unit available and slipping clutch

ELECTRICAL SPECIFICATIONS:

Resistance range, standard values: 100 Ω to 100 K Ω

Capability range: 10 Ω to 200 K Ω

Standard toll: $\pm 5\%$

Linearity independent: $\pm 0.25\%$

Noise: 100 Ω ENR

Rotation (electrical & mechanical): 3600° + 10%

Power rating @ 70°C: 2.0 watts

Insulation resistance: 1000 M Ω minimum 500 VDC

Dielectric strength: 1000 VRMS minimum 60 HZ

Absolute minimum resistance: not to exceed linearity x total resistance or 1 Ω , whichever is greater.

Tempco: 20 ppm/°C (standard values, wire only)

End voltage: 0.25% of total applied voltage, maximum

Phasing: CCW end points - section 2 phased to section 1 within $\pm 2^\circ$

Taps: center tap only

MECHANICAL SPECIFICATIONS:

Torque (maximums): starting

Section 1: 0.5 oz - in (36gm - cms)

Section 2: 0.9 oz - in (65gm - cms)

Torque (maximums): running

Section 1: 0.4 oz - in (28.80gm - cms)

Section 2: 0.7 oz - in (50.40gm - cms)

Weight (maximums):

Section 1: 0.75 oz (21.26 gm)

Section 2: 1.25 oz (35.44 gm)

Stop strength: 1.75 oz - in (static) (5.4Kgm - cm)

Ganging: 2 sections maximum

ENVIRONMENTAL SPECIFICATIONS:

Vibration: 15g thru 2000Hz

Shock: 50g

Rotational life: 1,000,000 cycles

Load life: 900 hours

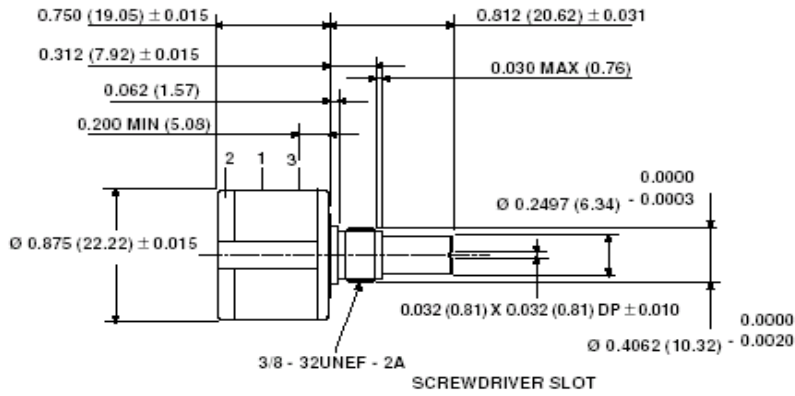
Operating temperature range: -55°C to $\pm 125^\circ\text{C}$

Moisture resistant salt spray: 96 hours

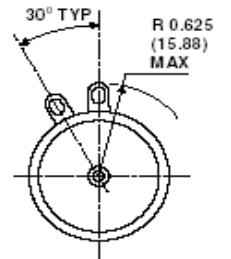
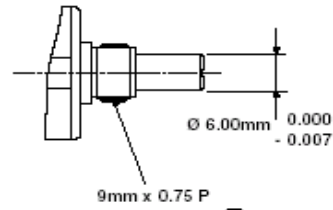


DRAWING:

SINGLE SECTION DIMENSIONS in millimeters



METRIC



Mounting hardware, washer and panel nut, nickel plated

