



Chipsmall Limited consists of a professional team with an average of over 10 year of expertise in the distribution of electronic components. Based in Hongkong, we have already established firm and mutual-benefit business relationships with customers from,Europe,America and south Asia,supplying obsolete and hard-to-find components to meet their specific needs.

With the principle of “Quality Parts,Customers Priority,Honest Operation,and Considerate Service”,our business mainly focus on the distribution of electronic components. Line cards we deal with include Microchip,ALPS,ROHM,Xilinx,Pulse,ON,Everlight and Freescale. Main products comprise IC,Modules,Potentiometer,IC Socket,Relay,Connector.Our parts cover such applications as commercial,industrial, and automotives areas.

We are looking forward to setting up business relationship with you and hope to provide you with the best service and solution. Let us make a better world for our industry!



## Contact us

Tel: +86-755-8981 8866 Fax: +86-755-8427 6832

Email & Skype: info@chipsmall.com Web: www.chipsmall.com

Address: A1208, Overseas Decoration Building, #122 Zhenhua RD., Futian, Shenzhen, China

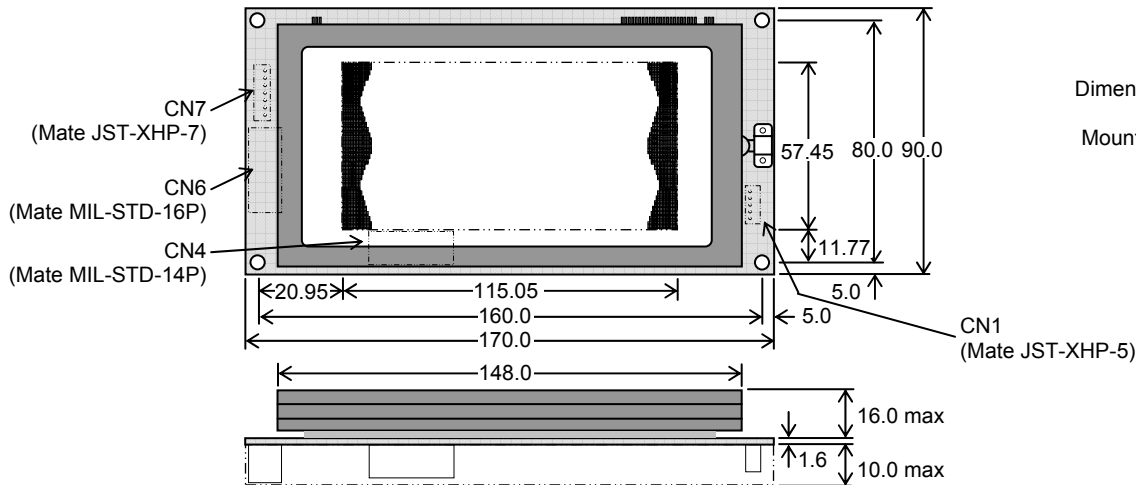


# Dot Graphic VFD Module

# GU256x128D-3900

- ❑ 256x128 Dot Graphic
- ❑ 5V Supply
- ❑ High Brightness Blue Green Display
- ❑ Operating Temp -40°C to +85°C
- ❑ High Speed 8 Bit Parallel Interface
- ❑ Asynchronous Serial Interface

The module includes the Vacuum Fluorescent Display glass, VF drivers and micro-controller ICs with refresh RAM, character generator and interface logic. The high speed 8 bit parallel interface is 5V TTL/CMOS compatible suitable for connection to a host CPU bus. The asynchronous serial interface accepts baud rates up to 38400, none parity. User defined characters and many control commands are available.



Dimensions in mm & subject to tolerances.  
Mounting holes 3.5mm dia.

## ELECTRICAL SPECIFICATION

Parameter	Symbol	Value	Condition
Power Supply Voltage	VCC	5.0VDC +/- 5%	GND=0V
Power Supply Current	ICC	850mADC typ.	Vcc=5V
RS232 Serial High Input	VIH	3.0VDC min.	VCC=5V
RS232 Serial Low Input	VIL	-3.0VDC max.	VCC=5V
RS232 Serial High Output	VOH	5.0VDC min.	IOH = -2mA
RS232 Serial Low Output	VOL	-5.0VDC max.	IOL =4mA
Logic High Input	VIH	0.8VDC min.	VCC=5V
Logic Low Input	VIL	0.2VDC max.	VCC=5V
Logic High Output	VOH	3.5VDC min.	IOH = -10uA
Logic Low Output	VOL	0.6VDC max.	IOL =4mA

The power on rise time should be less than 100ms. The inrush current at power on can be 2 x ICC.

## OPTICAL and ENVIRONMENTAL SPECIFICATIONS

Parameter	Value
Display Area (XxY mm)	115.05 x 57.45
Dot Size/Pitch (XxY mm)	0.3 x 0.3 / 0.45 x 0.45
Luminance	500 cd/m <sup>2</sup> Typ.
Colour of Illumination	Blue-Green (Filter for colours)
Operating Temperature	-40°C to +85°C
Storage Temperature	-40°C to +85°C
Operating Humidity (non condensing)	20 to 80% RH @ 25°C

## SOFTWARE COMMANDS

Command Name	Hex
Back Space	08
Horizontal Tab	09
Line Feed	0A
Cursor Home*	0B
Clear Display	0C
Carriage Return	0D
Escape	1B + >
> Specify Download Character	+25
> Download Char. Definition	+26
> Delete Download Character	+3F
> Initialize Display	+40
> Define International Font	+52
> Define Char. Code Type	+74
Overwrite Mode	1F 01
Vertical Scroll Mode	1F 02
Horizontal Scroll Mode	1F 03
Cursor Set	1F 24
RAM Macro Processing	1F 3A
Display Brightness	1F 58
Macro Execution	1F 5E
Enable/Disable Reverse Disply	1F 72
Horizontal Scroll Speed	1F 73
Write Mixture Display Mode	1F 77
Dot Pattern Draw	1F 28 64
User Set Up Mode Start	1F 28 65
I/O Port Control	1F 28 70

See full data sheet for additional commands.

## RS232 INTERFACE (CN7)

Pin	Sig
1	RXD
2	DTR
3	DSR
4	TXD
5	NC
6	VCC
7	GND

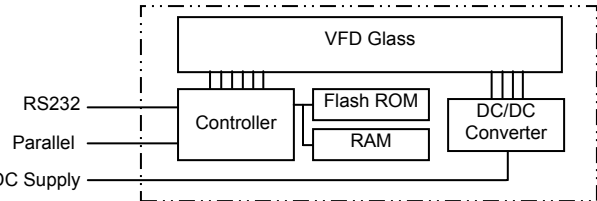
## PARALLEL INTERFACE (CN6)

Pin	Sig	Pin	Sig
1	D7	9	GND
2	D6	10	/WR
3	D5	11	GND
4	D4	12	READY
5	D3	13	GND
6	D2	14	GND
7	D1	15	VCC
8	D0	16	VCC

## I/O PORT CONNECTOR (CN4)

Pin	Sig	Pin	Sig
1	Bit 7	8	Bit 0
2	Bit 6	9	Bit 3
3	Bit 5	10	Bit 2
4	Bit 4	11	Bit 1
5	Bit 3	12	Bit 0
6	Bit 2	13	VCC
7	Bit 1	14	GND

## MODULE BLOCK DIAGRAM



## DISPLAY ADDRESS SELECT

SW1	SW2	SW3	SW4	Address
OFF	OFF	OFF	OFF	00H
ON	OFF	OFF	OFF	01H
OFF	ON	OFF	OFF	02H
ON	ON	OFF	OFF	03H
OFF	OFF	ON	OFF	04H
ON	OFF	ON	OFF	05H
OFF	ON	ON	OFF	06H
ON	ON	ON	OFF	07H
OFF	OFF	OFF	ON	08H
ON	OFF	OFF	ON	09H
OFF	ON	OFF	ON	0AH
ON	ON	OFF	ON	0BH
OFF	OFF	ON	ON	0CH
ON	OFF	ON	ON	0DH
OFF	ON	ON	ON	0EH
ON	ON	ON	ON	0FH

## COMMAND MODE SELECT

SW6	Mode
OFF	Normal command
ON	Graphic DMA

## OPERATING MODE SELECT

SW7	Mode
OFF	Normal Operation
ON	Memory Re-write

## PROTOCOL MODE SELECT

SW8	Mode
OFF	Direct Mode
ON	Packet Mode

## BAUD RATE SELECT

SW5	Baud Rate
OFF	38,400
ON	19,200

## CONTACT

**Noritake Sales Office Tel Nos**  
 Nagoya Japan: +81 (0)52-561-9867  
 Canada: +1-416-291-2946  
 Chicago USA: +1-847-439-9020  
 Munchen (D): +49 (0)89-3214-290  
 Itron UK: +44 (0)1493 601144  
 Rest Europe: +49 (0)61-0520-9220  
[www.noritake-itron.com](http://www.noritake-itron.com)

Subject to change without notice.  
IUK Doc Ref:04466 Iss:1 11Feb05