



Chipsmall Limited consists of a professional team with an average of over 10 year of expertise in the distribution of electronic components. Based in Hongkong, we have already established firm and mutual-benefit business relationships with customers from,Europe,America and south Asia,supplying obsolete and hard-to-find components to meet their specific needs.

With the principle of “Quality Parts,Customers Priority,Honest Operation,and Considerate Service”,our business mainly focus on the distribution of electronic components. Line cards we deal with include Microchip,ALPS,ROHM,Xilinx,Pulse,ON,Everlight and Freescale. Main products comprise IC,Modules,Potentiometer,IC Socket,Relay,Connector.Our parts cover such applications as commercial,industrial, and automotives areas.

We are looking forward to setting up business relationship with you and hope to provide you with the best service and solution. Let us make a better world for our industry!



Contact us

Tel: +86-755-8981 8866 Fax: +86-755-8427 6832

Email & Skype: info@chipsmall.com Web: www.chipsmall.com

Address: A1208, Overseas Decoration Building, #122 Zhenhua RD., Futian, Shenzhen, China



Vacuum Fluorescent Display Module Specification

Model: GU256X64D-7000BX

Specification No.: DS-1942-0001-00

Date of Issue: April 11, 2016 (00)

Revision:

Published by
NORITAKE ITRON CORP. / Japan
<http://www.noritake-itron.jp>

This specification is subject to change without prior notice.

This product complies with RoHS Directive
Please contact our sales consultant for details and to confirm the current status

Contents

1	General Description	3
1.1	Scope.....	3
1.2	Construction.....	3
1.3	Outline	3
1.4	Weight.....	3
1.5	Block Diagram	3
2	Electrical specifications	4
2.1	Absolute Maximum Ratings.....	4
2.2	Electrical ratings	4
2.3	Electrical Characteristics	4
3	Optical Specifications	5
4	Environmental Specifications	5
5	Interface.....	5
5.1	Type of interface	5
5.2	Parallel interface.....	5
5.2.1	Basic function.....	5
5.2.2	Parallel Interface timing	6
5.3	Serial interface.....	7
5.3.1	Basic function.....	7
5.3.2	Asynchronous serial interface timing	7
5.4	Reset timing	7
6	Display specification.....	8
6.1	Displayable image types.....	8
6.1.1	Graphic display	8
6.1.2	Character display	8
6.2	Display memory.....	8
6.3	Window.....	9
6.3.1	Base-Window.....	9
6.3.2	User-Window	9
6.4	Write screen mode.....	10
6.4.1	Display screen mode	10
6.4.2	All screen mode	10
6.5	5×7 and 7×8 Character display format	11
7	Function	12
7.1	Commands	12
7.1.1	Character display	12
7.1.2	BS (<i>Back Space</i>).....	13
7.1.3	HT (<i>Horizontal Tab</i>).....	13
7.1.4	LF (<i>Line Feed</i>)	14
7.1.5	HOM (<i>Home Position</i>).....	15
7.1.6	CR (<i>Carriage Return</i>).....	15
7.1.7	US \$ xL xH yL yH (<i>Cursor Set</i>)	15
7.1.8	CLR (<i>Display Clear</i>).....	15
7.1.9	US C n (<i>Cursor display</i>).....	15
7.1.10	ESC @ (<i>Initialize Display</i>).....	15
7.1.11	ESC % n (<i>Download character ON/OFF</i>)	16
7.1.12	ESC & a c1 c2 [x1 d1...d(a×x1)]...[xk d1...d(a×xk)] (<i>Download character definition</i>)	16
7.1.13	ESC ? a c (<i>Download character delete</i>)	17
7.1.14	ESC R n (<i>International font set</i>).....	17
7.1.15	ESC t n (<i>Character table type</i>).....	17
7.1.16	US MD1 (<i>Over-write mode</i>)	17
7.1.17	US MD2 (<i>Vertical scroll mode</i>).....	18
7.1.18	US MD3 (<i>Horizontal scroll mode</i>)	18
7.1.19	US s n (<i>Horizontal scroll speed</i>)	18
7.1.20	US r n (<i>Reverse display</i>).....	18
7.1.21	US w n (<i>Write mixture display mode</i>)	19
7.1.22	US X n (<i>Brightness level setting</i>).....	19
7.1.23	US (a n [parameter] (<i>Display action command group</i>)	19
7.1.24	<Function 01h> US (a 01h t (<i>Wait</i>).....	19
7.1.25	<Function 10h> US (a 10h wL wH cL cH s (<i>Scroll display action</i>).....	20
7.1.26	<Function 11h> US (a 11h p t1 t2 c (<i>Blink</i>).....	21
7.1.27	<Function 40h> US (a 40h p (<i>Screen saver</i>).....	21

7.1.28	US (f n [parameter] (<i>Bit image display group</i>)	22
7.1.29	<Function 11h> US (f 11n xL xH yL yH g d(1)...d(k) (<i>Real-time bit image display</i>)	22
7.1.30	US (d n [parameter] (<i>Dot unit command group</i>)	23
7.1.31	<Function 20h> US (d 20h xPL xPH yPL yPH m aL aH aE ySL ySH xOL xOH yOL yOH xL xH yL yH g (<i>Dot unit downloaded bit image display</i>)	23
7.1.32	<Function 21h> US (d 21h xPL xPH yPL yPH xL xH yL yH g d(1)...d(k) (<i>Dot unit real-time bit image display</i>).....	24
7.1.33	<Function 30h> US (d 30h xPL xPH yPL yPH m bLen d(1)...d(bLen) (<i>Dot unit character display</i>)	26
7.1.34	US (g n [parameter] (<i>Font command group</i>).....	27
7.1.35	<Function 03h> US (g 03h w (<i>Font Width</i>)	27
7.1.36	<Function 40h> US (g 40h x y (<i>Font Magnification</i>)	27
7.1.37	US (w n [parameter] (<i>Window command group</i>)	28
7.1.38	<Function 01h> US (w 01h a (<i>Window select</i>)	28
7.1.39	<Function 02h> US (w 02h a b[xPL xPH yPL yPH xSL xSH ySL ySH] (<i>User Window define / cancel</i>)	29
7.1.40	<Function 10h> US (w 10h a (<i>Write screen mode select</i>).....	30
7.1.41	WINx (<i>Window select shortcut</i>).....	30
7.2	<i>Bit image data format</i>	31
8	Setup	32
8.1	<i>Jumper</i>	32
8.1.1	Baud rate setting (for serial interface).....	32
8.1.2	Parallel interface through-holes Pin #3 signal setting.....	32
9	Connector	33
9.1	<i>Parallel interface 14 through-holes (CN3)</i>	33
9.2	<i>Serial interface 7 through-holes (CN1)</i>	33
9.3	<i>3pin connector (CN2)</i>	33
10	Firmware Version Notation	33
11	Outline Drawing	34
	Notice for the Cautious Handling of VFD Modules	35
	Revision Note	36

1 General Description

1.1 Scope

This specification covers the operation and operating requirements of the vacuum fluorescent graphic display module GU256X64D-7000BX.

1.2 Construction

The module consists of a 256 × 64 dot graphic BD-VFD, refresh RAM, character generator, DC/DC converter, display controller, and all necessary control logic.

The module can simultaneously display graphic patterns and characters on the screen.

1.3 Outline

Power supply: Single 5 V_{DC} power supply
 Interface: Parallel interface (CMOS-level)
 Serial interface (Asynchronous, can accept RS-232 level)
 Function: Character display – 5×7 dot with display attributes
 5×7 dot character font (specification DS-898-0002-xx)
 Graphic display
 Control command
 Character download function
 Screen saver function

Applicable VFD Module reliability specification : TT-99-3102

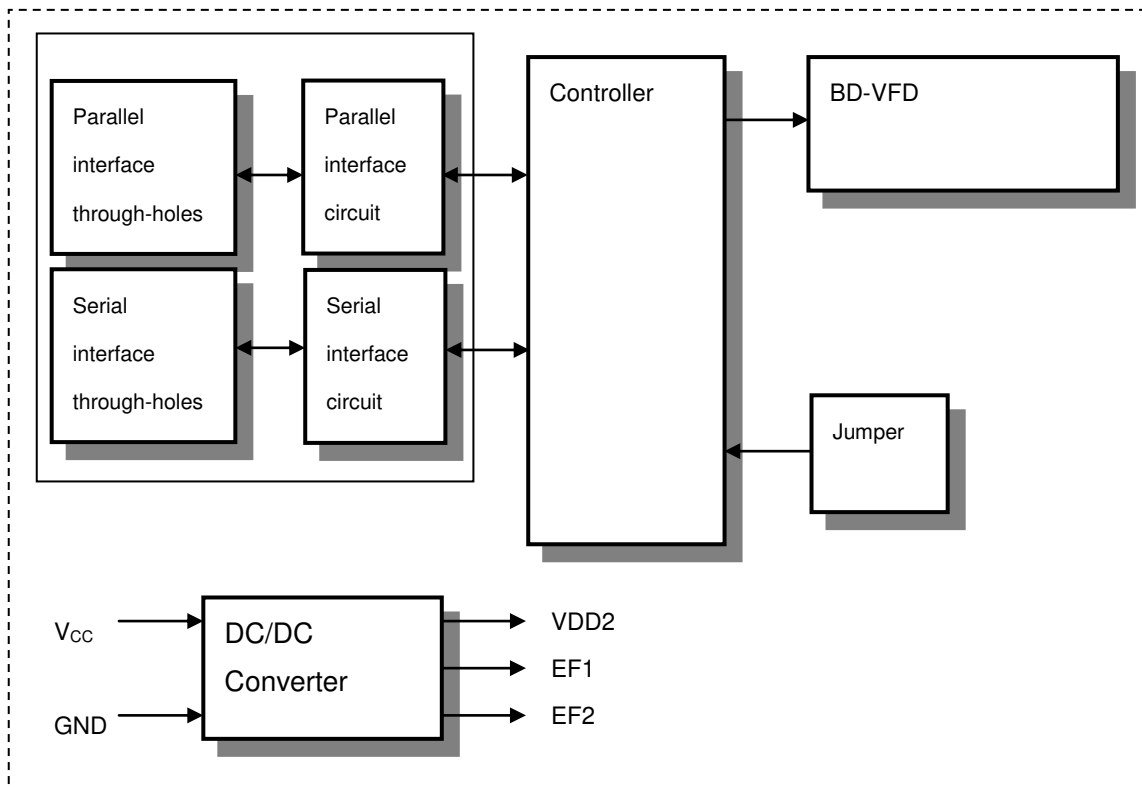
Applicable VFD Module quality specification : TT-98-3413

Applicable VFD quality specification : TT-93-3336D

1.4 Weight

Approximately 122g

1.5 Block Diagram



2 Electrical specifications

2.1 Absolute Maximum Ratings

Parameter	Symbol	Min.	Typ.	Max.	Unit
Power Supply Voltage	V_{CC}	-0.3	-	+6.0	V_{DC}
Logic Input Voltage D0-D7, /WR, /RD, /RESET	V_{IN1}	-0.3	-	+6.0	V_{DC}
Logic Input Voltage SIN	V_{IN2}	-20.0	-	+20.0	V_{DC}

2.2 Electrical ratings

Parameter	Symbol	Min.	Typ.	Max.	Unit
Power Supply Voltage	V_{CC}	4.75	5.0	5.25	V_{DC}

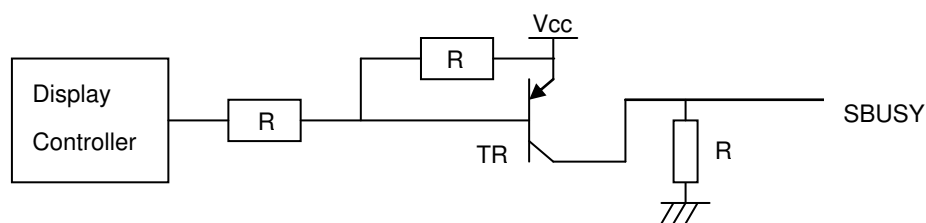
Driving voltage for the VFD is obtained from the on-board DC/DC converter.

2.3 Electrical Characteristics

Measuring Conditions: Ambient temperature = 25 °C, $V_{CC} = 5.0V_{DC}$

Parameter	Symbol	Min.	Typ.	Max.	Unit	Condition	
'L' Level Logic Input Current D0-D7, /WR, /RD	I_{IL1}	-	-	-0.15	mA	$V_{IN1}=0V$	
'L' Level Logic Input Current /RESET	I_{IL2}	-	-	-0.6	mA	$V_{IN1}=0V$	
'H' Level Logic Input Current D0-D7, /WR, /RD, /RESET	I_{IH}	-	-	1.0	μA_{DC}	$V_{IN1}=5V$	
Logic Input Voltage D0-D7, /WR, /RD, /RESET	'H'	V_{IH1}	0.8 V_{CC}	-	V_{CC}	-	
	'L'	V_{IL1}	0	-	0.2 V_{CC}	V_{DC}	
Logic Output Voltage D7(Busy flag), PBUSY	'H'	V_{OH1}	3.8	-	V_{CC}	$I_{OH1}=-1.5mA$	
	'L'	V_{OL1}	0	-	0.6	V_{DC}	$I_{OL1}=1.6mA$
Logic Input Resistance SIN	R_{IN}	3	-	-	k Ω	-	
Logic Input Voltage SIN	'H'	V_{IH2}	3.0	-	+15	V_{DC}	-
	'L'	V_{IL2}	-15	-	0.5	V_{DC}	-
Logic Output Voltage SBUSY	'H'	V_{OH2}	4.0	-	V_{CC}	V_{DC}	$R_L=3k\Omega$
	'L'	V_{OL2}	0	-	0.5	V_{DC}	$R_L=3k\Omega$
Power Supply Current 1	I_{CC1}	-	1.2	1.6	A_{DC}	All dot ON (L=200%)	
Power Supply Current 2	I_{CC2}	-	0.7	0.9	A_{DC}	All dot ON (L=100%)	
Power Supply Current 3	I_{CC3}	-	0.7	0.9	A_{DC}	All dot OFF (L=200%)	
Power Supply Current 4	I_{CC4}	-	0.5	0.7	A_{DC}	All dot OFF (L=100%)	
Power Supply Current 5	I_{CC5}	-	26	33	mA_{DC}	Display Power OFF	
Power Consumption 1		-	6.0	8.0	W	All dot ON (L=200%)	
Power Consumption 2		-	3.5	4.5	W	All dot ON (L=100%)	

- At power-on, inrush current can be approximately twice the current in the above table rush.
- A quick-rise type power supply (<100ms) is recommended.



3 Optical Specifications

Number of dots:	16,384 (256 x 64)
Display area:	115.05mm x 28.65mm(X x Y)
Dot size:	0.30mm x 0.30mm(X x Y)
Dot pitch:	0.45mm x 0.45mm (X x Y)
Luminance:	Brightness Level 100%: 350cd/m ² Min. 700cd/m ² Typ. (Condition: All dot ON) Brightness Level 200%: 1,500cd/m ² Typ. (Condition: checkered pattern)
Color of illumination:	Green (Blue Green)

4 Environmental Specifications

Operating temperature:	-40 to +85 °C
Storage temperature:	-40 to +85 °C (-60 to -40 °C in less than 168 hours.)
Operating humidity:	20 to 80 % RH (non-condensing)
Storage humidity:	20 to 80 % RH (non-condensing)
Vibration:	10-55-10Hz, all amplitude 1mm, X-Y-Z, 30 minutes (non-operating)
Shock:	392m/s ² (40G), 9ms, X-Y-Z, 3 times each direction (non-operating)

5 Interface

5.1 Type of interface

The following interfaces are available on this module:

Parallel interface (CMOS-level)

Serial interface (Asynchronous, can accept RS-232 level)

5.2 Parallel interface

5.2.1 Basic function

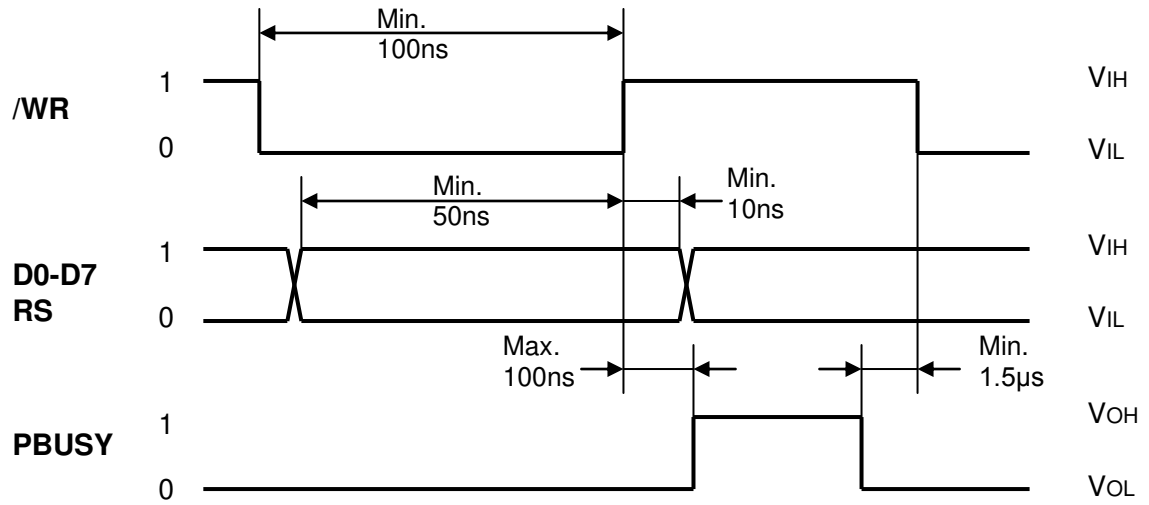
The module sets the PBUSY line upon receipt of data, and clears the line when ready to receive more data. PBUSY signal can be read directly, or by bit D7 Status read.

RS terminal is not used in this module.

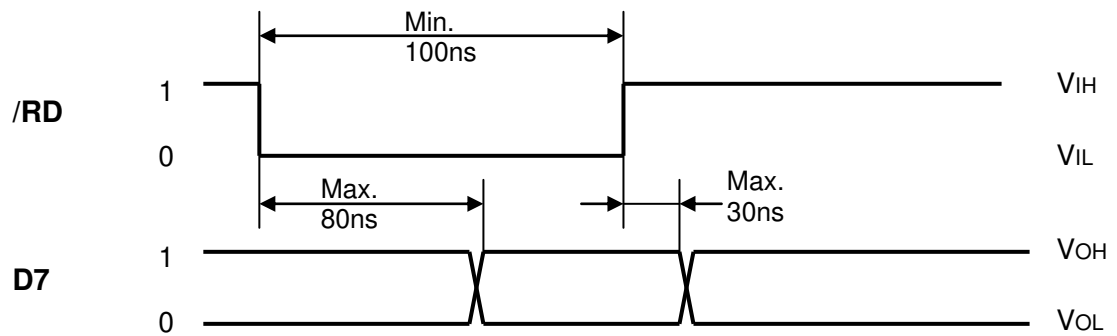
Operation	/WR	/RD	/RS	D0-D7
Data write	0 → 1	1	X	D0-D7: Data write
Status read	1	0	X	D0-D6: Undefined D7: PBUSY Flag 1:BUSY, 0:READY

5.2.2 Parallel Interface timing

Write timing



Read timing

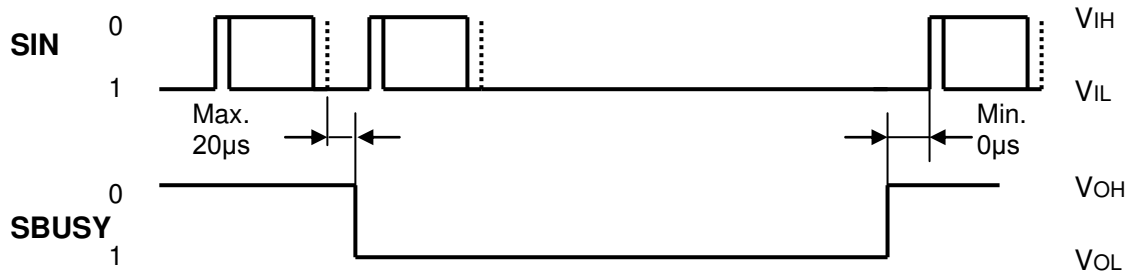


5.3 Serial interface

5.3.1 Basic function

The asynchronous serial interface can accept RS-232 level input. The module sets the SBUSY line upon receipt of data, and clears the line when ready to receive more data.

5.3.2 Asynchronous serial interface timing



Interface:

Baud rate	9,600 / 19,200 / 38,400 / 115,200bps (set by Jumper)
Parity	None
Format	Start (1 bit) + Data (8 bit) + Stop (1 bit)
Handshake	SBUSY

Receive buffer capacity: 252 bytes

SBUSY change timing:

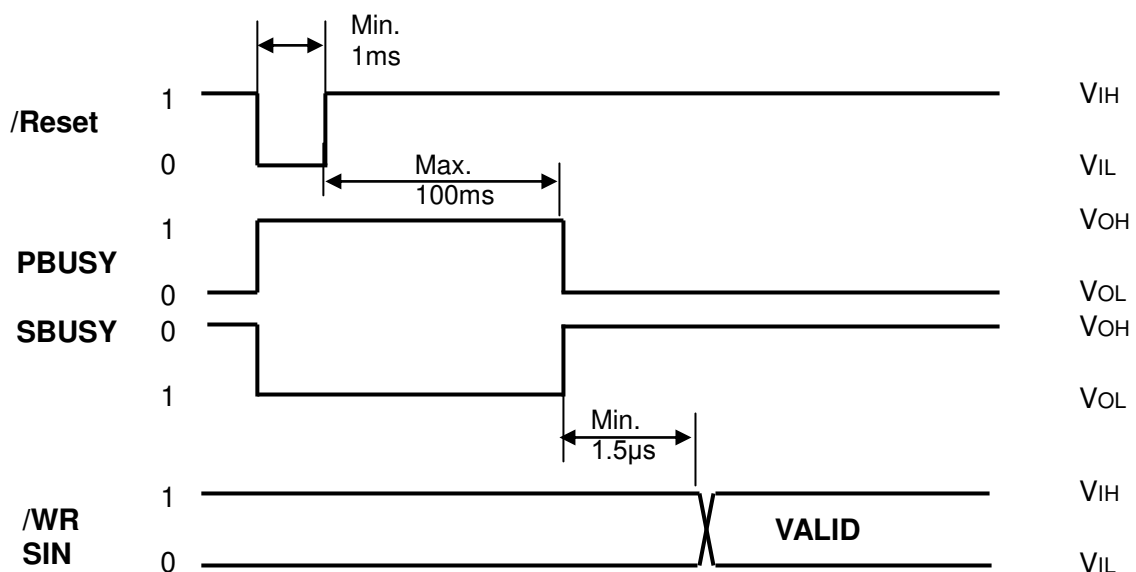
SBUSY	1(BUSY)	0(READY)
Condition	When there is data in buffer	When there is no data in buffer

Data can be stored into receiving buffer. However, it recommends not sending the data when SBUSY=1.

5.4 Reset timing

Reset pulse (active low) should be longer than 1ms.

The module sets the SBUSY/PBUSY line upon receipt of Reset signal and clears the line when ready to receive data.



6 Display specification

6.1 Displayable image types

6.1.1 Graphic display

Number of dots: 256×64 dots

6.1.2 Character display

Character mode: 5×7 dot mode

Character font type: 5×7 dot characters: ANK, international font

Character display width: Fixed character format 1 & 2, Proportional character format 1 & 2

Display attributes: Font Magnification, Reverse

6.2 Display memory

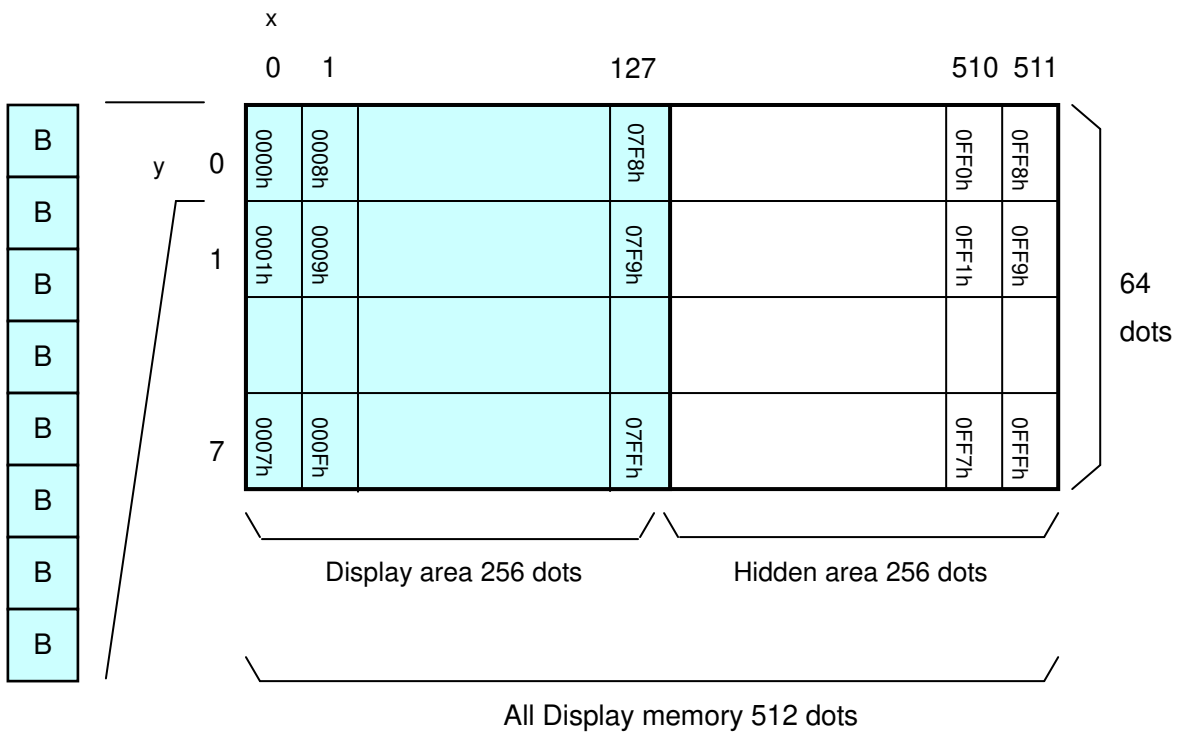
Size: 512 × 64 dots - separated as: Display area (256 × 64dots)

Hidden area (256 × 64dots)

Display Memory is comprised of Display area and Hidden area, as shown below.

By using “User Window” function, the memory area can be separated, and each separate window can be controlled independently (refer to 7.1.37 Window command group, page 28).

Hidden area can be displayed by using scroll or other action commands (refer to 7.1.23 Display action command group, page 19).



6.3 Window

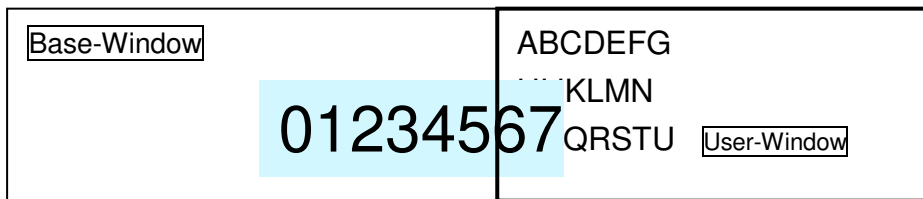
Window function enables the display screen to be divided into “windows” each of which can be controlled and displayed independently.

Display Memory is shared by all windows; individual windows do not have their own display memory. There are 2 types of “window”: Base-Window and User-Window. Refer to “Window command group”, page 28.

6.3.1 Base-Window

Base-Window covers the entire display screen. If no User-Windows are defined, all display operation is processed on this window. If one or more User-Windows are defined, display operation on any area not covered by a User-Window is done by selecting Base-Window.

When Base-Window is selected, even if User-Window(s) are defined, all display operation is processed under Base-Window. Therefore the current display contents of User-Window(s) is overwritten.

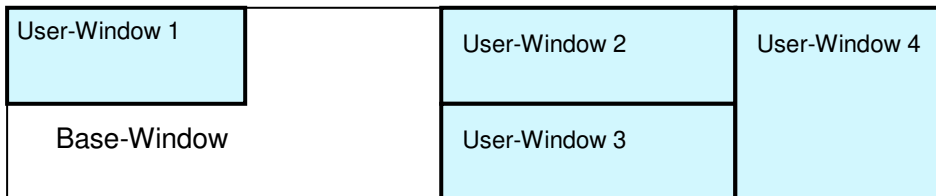


6.3.2 User-Window

User-Window is defined by User-Window definition command.

Display operation is processed on the window selected by Current Window select command.

A maximum of 4 User-Windows can be defined.



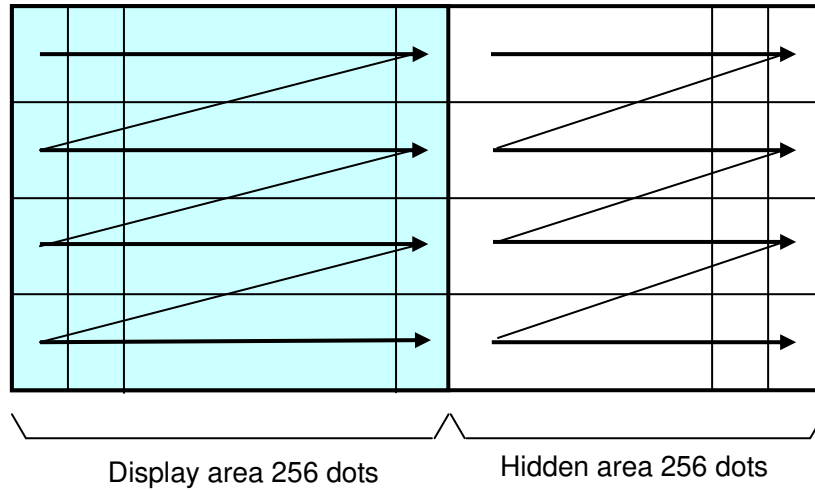
6.4 Write screen mode

This setting is only applicable for Base-Window.

There are two Write screen modes, Display screen mode and All screen mode. The mode is set by command (refer to Window command group, "Write screen mode select", page 30).

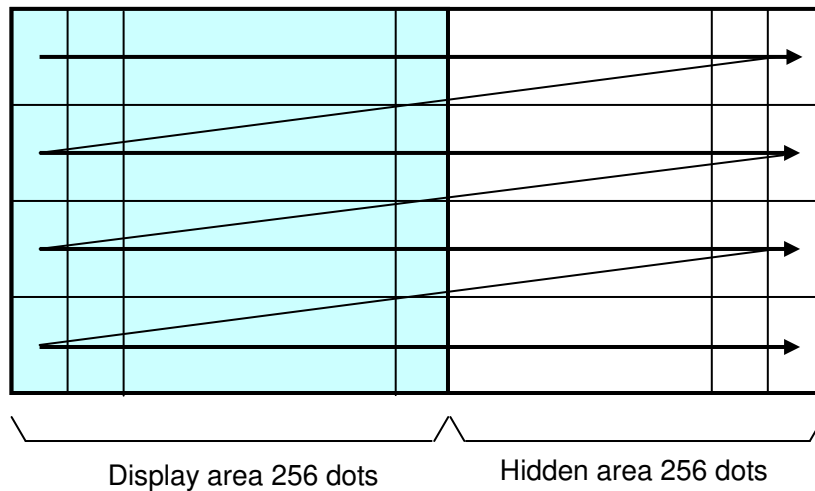
6.4.1 Display screen mode

When the cursor is located in the Display area, all operation will be done within Display area, and when cursor is located in the Hidden area, it will be done within Hidden area.



6.4.2 All screen mode

Regardless of the cursor position, operation will be done over the entire area.



6.5 5x7 and 7x8 Character display format

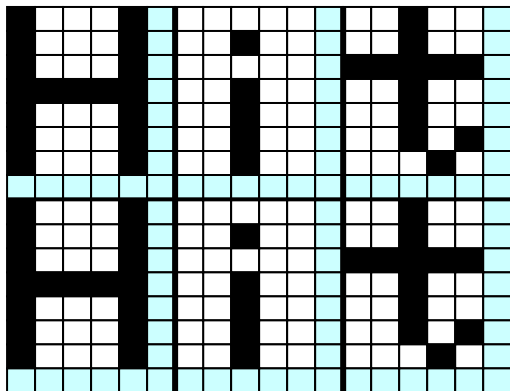
5x7 and 7x8 Character display format is following selectable by “Character display width” command.

Type of character	Display position	Format	Fixed character width 1	Fixed character width 2	Proportional character width 1	Proportional character width 2
Standard character and Download character 5x7dot	Y=0~3	Character format	5 x 7	5 x 7	n x 7	n x 7
		Upper space	0	0	0	0
		Lower space	1	1	1	1
		Left space	0	1	0	1
		Right space	1	1	1	1
Download character 7x8	Y=0~3	Character format	6 x 8 *	7 x 8	6 x 8 *	7 x 8
		Upper space	0	0	0	0
		Lower space	0	0	0	0
		Left space	0	0	0	0
		Right space	0	0	0	0

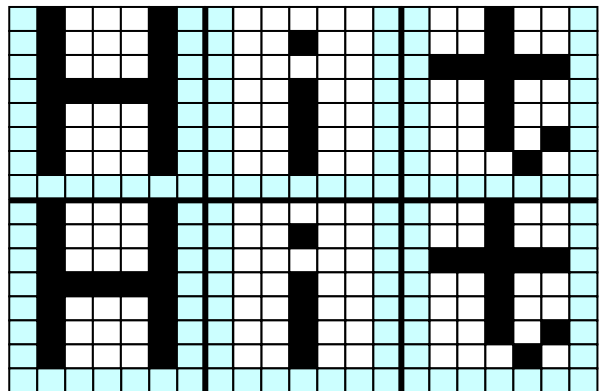
* The most left part of 6x8 dot within 7x8 dot is displayed.

Note: In case of proportional character width is specified, the blank character (20H) will be operated as same as 2 dot width character.

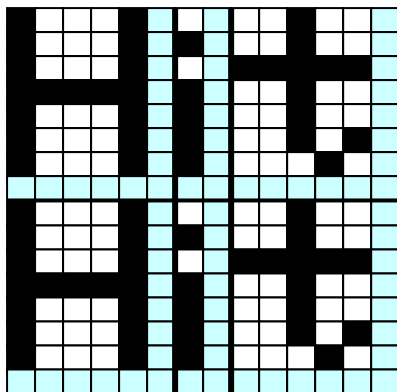
Fixed character width 1



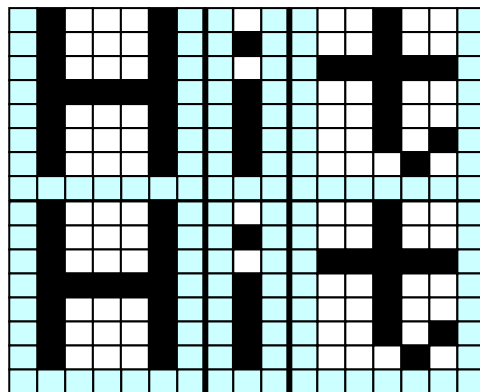
Fixed character width 2



Proportional character width 1



Proportional character width 2



7 Function

7.1 Commands

This section describes the operation of each command.

Note: The character size (X × Y dot) referred to in this section, depends on the “Character display width” and “Font magnified display” settings.

The number of X dots and Y dots for 1 character for each character display width are as follows:

Character type	Fixed character width 1	Fixed character width 2	Proportional character width 1	Proportional character width 2
Number of X dots	5 + 1	5 + 2	5 + 1	5 + 2
Number of Y dots	7 + 1	7 + 1	7 + 1	7 + 1

MD1 mode, MD2 mode, and MD3 mode, described below, refer to Over-write mode, Vertical scroll mode, and Horizontal scroll mode respectively. (To select the mode, refer to the commands “US MD1”, “US MD2”, and “US MD3”).

7.1.1 Character display

Code: 20h – FFh

Name: Character display

Function: Display character at cursor position.

This command operates on the currently-selected window (refer to Window select).

MD1 (Over-write mode)

Cursor position		Display Operation
X direction	Y direction	
Space for character on right side.	-	Display >> HT
Right end	Space for character in next lower line.	HT >> Display >> HT
	No space for character in next lower line.	HT >> Display >> HT

MD2 (Vertical scroll mode)

Cursor position		Display Operation
X direction	Y direction	
Space for character on right side.	-	Display >> HT
Right end	Space for character in next lower line.	HT >> Display >> HT
	No space for character in next lower line.	HT >> Display >> HT

MD3 (Horizontal scroll mode)

Cursor position		Display Operation
X direction	Y direction	
The space for 1 character size is in right side.	-	Display >> HT
Right end	-	HT >> Display >> HT

7.1.2 BS *(Back Space)*

Code: 08h

Function: Cursor moves to the left by one character.
This command has effect for the currently-selected window.

MD1 (Over-write mode) and MD2 (Vertical scroll mode)

Cursor position		Display Operation
X direction	Y direction	
Space for character on left side.	-	Cursor moves left by one character.
Left end	Space for one line above.	Cursor moves to right end of next upper line.
	No space for one line above.	Cursor does not move.

MD3 (Horizontal scroll mode)

Cursor position		Display Operation
X direction	Y direction	
Space for character on left side.	-	Cursor moves left by one character.
Left end	-	Cursor does not move.

7.1.3 HT *(Horizontal Tab)*

Code: 09h

Function: Cursor moves to the right by one character.
This command has effect for the currently-selected window.

MD1 (Over-write mode)

Cursor position		Display Operation
X direction	Y direction	
Space for character on right side.	-	Cursor moves right by one character.
Right end	Space for character in next lower line.	Cursor moves to left end of next lower line.
	No space for character in next lower line.	Cursor moves to left end of top line.

MD2 (Vertical scroll mode)

Cursor position		Display Operation
X direction	Y direction	
Space for character on right side.	-	Cursor moves right by one character.
Right end	Space for character in next lower line.	Cursor moves to left end of next lower line.
	No space for character in next lower line.	Display contents are scrolled up the required number of dots, and the bottom line is cleared. Cursor moves to left end of bottom line.

MD3 (Horizontal scroll mode)

Cursor position		Display Operation
X direction	Y direction	
Space for character on right side.	-	Cursor moves right by one character.
Right end	-	Contents of current line scroll left until sufficient space for character is available at the right end. Cursor moves to the left edge of newly-created space.

7.1.4 LF (*Line Feed*)

Code: 0Ah

Function: Cursor moves to next lower line.

This command has effect for the currently-selected window.

MD1 (Over-write mode)

Cursor position		Display Operation
X direction	Y direction	
-	Space for character in next lower line.	Cursor moves to the same position on next lower line.
	No space for character in next lower line.	Cursor moves to the same position on top line.

MD2 (Vertical scroll mode)

Cursor position		Display Operation
X direction	Y direction	
-	Space for character in next lower line.	Cursor moves to the same position on next lower line.
	No space for character in next lower line.	Display contents are scrolled up the required number of dots, and the bottom line is cleared. Cursor does not move.

MD3 (Horizontal scroll mode)

Cursor position		Display Operation
X direction	Y direction	
-	-	Cursor does not move.

7.1.5 HOM (Home Position)**Code: 0Bh**

Function: Cursor moves to home position (top left).
 This command has effect for the currently-selected window.

7.1.6 CR (Carriage Return)**Code: 0Dh**

Function: Cursor moves to left end of current line.
 This command has effect for the currently-selected window.

7.1.7 US \$ xL xH yL yH (Cursor Set)**Code: 1Fh 24h xL xH yL yH**

xL: Cursor position x, lower byte (1 dot / unit)
 xH: Cursor position x, upper byte (1 dot / unit)
 yL: Cursor position y, lower byte (8 dots / unit)
 yH: Cursor position y, upper byte (8 dots / unit)
 Definable area: $0000h \leq (xL + xH \times 100h) \leq 01FFh$
 $0000h \leq (yL + yH \times 100h) \leq 0007h$

Function: Cursor moves to the specified (X, Y) position on Display Memory.
 If the specified X, Y position (X and/or Y) is outside the definable area, or outside the currently-selected window, the command is ignored and the cursor remains in the same position.
 This command has effect for the currently-selected window.

7.1.8 CLR (Display Clear)**Code: 0Ch**

Function: Display screen is cleared and cursor moves to home position.
 This command has effect for the currently-selected window.

7.1.9 US C n (Cursor display)**Code: 1Fh 43h n**

n: Cursor display setting
 Definable area: $00h \leq n \leq 01h$
 n = 00h: Cursor display OFF
 n = 01h: Cursor display ON

Default: n = 00h (Cursor OFF)

Function: Cursor display setting.

When cursor display is ON, cursor position appears as reverse blinking, 1×8 dots.

When cursor is in hidden area, it does not appear, even when cursor display is set ON.

This command has effect for the currently-selected window.

7.1.10 ESC @ (Initialize Display)**Code: 1Bh 40h**

Settings return to default values.

Jumper settings are not re-loaded.

Contents of receive buffer remain in memory.

7.1.11 ESC % n (*Download character ON/OFF*)

Code: 1Bh 25h n

Function: Enable or disable display of download characters.

n = 01h: Enable (If download character is not defined, built-in character is displayed)

n = 00h: Disable

Characters already displayed are not affected.

7.1.12 ESC & a c1 c2 [x1 d1...d(a×x1)]...[xk d1...d(a×xk)] (*Download character definition*)

Code: 1Bh 26h a c1 c2 [x1 d1...d(a×x1)]...[xk d1...d(a×xk)]

a: Select character type

c1: Start character code

c2: End character code

x: Number of dots for X-direction

d: Definition data

Definable area: a = 01h

x = 05h: 5×7 dot

x = 07h: 7×8 dot

20h ≤ c1 ≤ c2 ≤ FFh

00h ≤ d ≤ FFh

x = 05h: Upper 7 bits are valid.

x = 07h: All 8 bits are valid.

k = c2 - c1 + 1

Function: Define download characters into RAM.

A maximum of 16 download characters can be defined.

x = 05h: Defined as 5×7 dot. Surrounding space is same as standard character display.

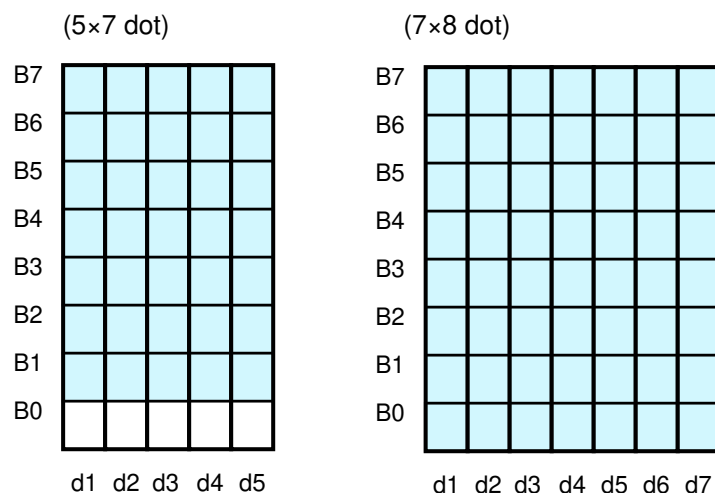
x = 07h: Defined as 7×8 dot. Displayed as 6×8 or 7×8 dot character (refer to 6.5 “5×7 and 7×8 Character display format”).

After the maximum number of download characters are defined, in order to define other character codes, space must first be obtained using the Download character delete command.

Downloaded characters are valid until redefined, an initialize (ESC @) sequence is executed, or the power is turned off.

To display download characters the commands Download character definition and Download character ON/OFF (set to ON) are required.

If a currently-displayed download character is re-defined, there is no affect on the currently-displayed character. It is effective only for newly input characters.



7.1.13 ESC ? a c (Download character delete)**Code:** 1Bh 3Fh a c

a: Select character type

c: Delete Character code

Definable area: a = 01h
20h ≤ c ≤ FFh

Function: Delete defined download character.

Built-in character is displayed after download character is deleted.

Characters already displayed are not affected.

Command is ignored if download character is not defined for the given character code.

7.1.14 ESC R n (International font set)**Code:** 1Bh 52h n

Definable area: 00h ≤ n ≤ 0Dh

Default: n = 00h

Function: Select international font set.

Characters already displayed are not affected.

n	Font set
00h	America
01h	France
02h	Germany
03h	England
04h	Denmark 1
05h	Sweden
06h	Italy
07h	Spain1
08h	Japan
09h	Norway
0Ah	Denmark2
0Bh	Spain2
0Ch	Latin America
0Dh	Korea

7.1.15 ESC t n (Character table type)**Code:** 1Bh 74h nDefinable area: n = 00h, 01h, 02h, 03h, 04h, 05h, 10h, 11h,
12h, 13h

Default: n = 00h

Function: Select Character table type.

Characters already displayed are not affected.

n	Font code type
00h	PC437(USA – Euro std)
01h	Katakana – Japanese
02h	PC850 (Multilingual)
03h	PC860 (Portuguese)
04h	PC863 (Canadian-French)
05h	PC865 (Nordic)
10h	WPC1252
11h	PC866 (Cyrillic #2)
12h	PC852 (Latin 2)
13h	PC858

7.1.16 US MD1 (Over-write mode)**Code:** 1Fh 01h

Function: Display mode set to Over-write mode.

This command has effect for the currently-selected window.

7.1.17 US MD2 (Vertical scroll mode)**Code:** 1Fh 02h

Function: Display mode set to Vertical scroll mode.

This command has effect for the currently-selected window.

7.1.18 US MD3 (Horizontal scroll mode)**Code:** 1Fh 03h

Function: Display mode set to Horizontal scroll mode.

This command has effect for the currently-selected window.

7.1.19 US s n (Horizontal scroll speed)**Code:** 1Fh 73h nDefinable area: $00 \leq n \leq 1Fh$ Default: $n = 00h$

Function: Set speed for Horizontal scroll mode.

Scroll speed is set by 'n'.

Subsequent commands are not processed until scroll is completed.

Scroll base time period 'T' depends on screen mode and character size, etc.

n	Speed
00h	Instantaneous
01h	T ms / 2 dots
02h – 1Fh	(n-1)×T ms / dot

7.1.20 US r n (Reverse display)**Code:** 1Fh 72h n

n: Reverse display ON/OFF

Definable area: $00h \leq n \leq 01h$ $n = 00h$: Reverse OFF $n = 01h$: Reverse ONDefault: $n = 00h$

Function: Reverse display ON/OFF for character and image display.

Changing this setting only affects subsequent data. Content already displayed is not affected.

7.1.21 US w n (Write mixture display mode)

Code: 1Fh 77h n

n: Display write mode

Definable area: 00h ≤ n ≤ 03h

n = 00h: Normal display write (not mixture display)

n = 01h: OR display write

n = 02h: AND display write

n = 03h: EX-OR display write

Default: n = 00h

Function: Specifies write mixture mode.

Newly-written characters and images are combined with current display contents in Display Memory.

7.1.22 US X n (Brightness level setting)

Code: 1Fh 58h n

n: Brightness level setting

Definable area: 00h ≤ n ≤ 08h

Default: n = 08h (Brightness level = 100%)

Function: Set display brightness level.

n: Level

n	Brightness	n	Brightness
01h	12.5 %	09h	112.5 %
02h	25.0 %	0Ah	125.0 %
03h	37.5 %	0Bh	137.5 %
04h	50.0 %	0Ch	150.0 %
05h	62.5 %	0Dh	162.5 %
06h	75.0 %	0Eh	175.0 %
07h	87.5 %	0Fh	187.5 %
08h	100 %	10h	200 %

7.1.23 US (a n [parameter] (Display action command group)

Function: Execute processing of display action command.

n	Function No.	Function
01h	Function 01h	Wait
10h	Function 10h	Scroll display action
11h	Function 11h	Blink display action
40h	Function 40h	Screen saver

n: Function code.

Subsequent commands are not processed until display action processing is completed.

7.1.24 <Function 01h> US (a 01h t (Wait)

Code: 1Fh 28h 61h 01h t

t: Wait time

Definable area: 00h ≤ t ≤ FFh

Function: Waits for the specified time (command and data processing is stopped).

Wait time = t × approximately 0.5s

7.1.25 <Function 10h> US (a 10h wL wH cL cH s (Scroll display action)

Code: 1Fh 28h 61h 10h wL wH cL cH s

- wL: Display screen shift byte count, lower byte
- wH: Display screen shift byte count, upper byte
- cL: Number of cycles, lower byte
- cH: Number of cycles, upper byte
- s: Scroll speed

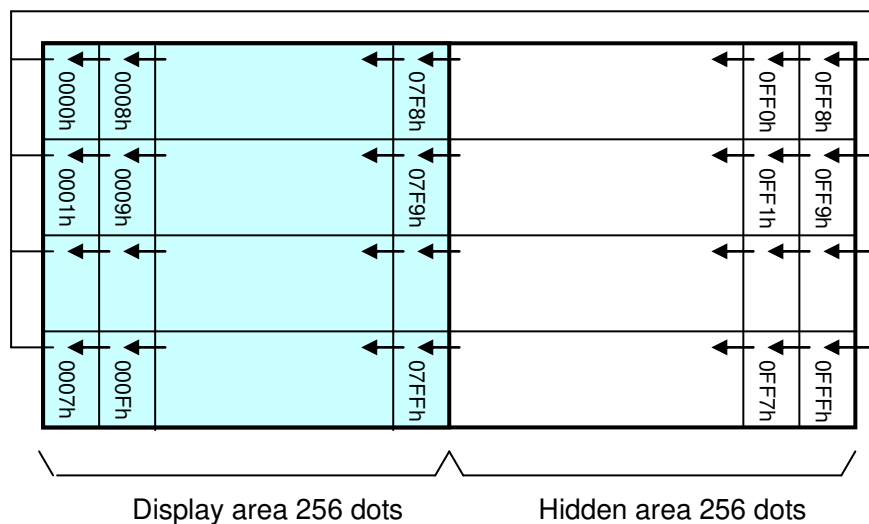
Definable area: $0000h \leq (wL + wH \times 100h) \leq 0FFFh$
 $0001h \leq (cL + cH \times 100h) \leq FFFFh$
 $00h \leq s \leq FFh$

Function: Shift the display screen.

Horizontal scrolling is possible by specifying as the shift byte count a multiple of (Display screen 'y' dot /8). Display switching is possible by specifying shift byte count as (Display screen 'x' dot × Display screen 'y' dot /8). Scroll speed is specified by 's'.

Scroll speed: $s \times 14ms$ (approximately) / shift

For example: 1 dot scroll to the left: wL=04h, wH=00h



7.1.26 <Function 11h> US (a 11h p t1 t2 c (Blink)**Code: 1Fh 28h 61h 11h p t1 t2 c**

p: Blink pattern

t1: Normal display time

t2: Blank or reverse display time

c: Number of cycles

Definable area: $00h \leq p \leq 02h$

p = 00h: Normal display.

p = 01h: Blink display (alternately Normal and Blank display).

p = 02h: Blink display (alternately Normal and Reverse display).

 $01h \leq t1 \leq FFh$ $01h \leq t2 \leq FFh$ $00h \leq c \leq FFh$

Function: Blink display action Blink pattern specified by 'p'.

Time is specified by 't1' and 't2'

A: $t1 \times 14ms$ (approximately) Normal displayB: $t2 \times 14ms$ (approximately) Blank or Reverse display

Repeated 'c' times.

This command does not affect Display Memory.

c=00h: Blink continues during subsequent command and data processing, until c=01h–FFh is set, or Initialize command.

c=01h – FFh: Blink display is repeated 1–255 times while command and data processing is stopped.

After display blinking is completed, Normal display returns and command and data processing resumes. Command / data processing does not resume until operation is completed.

7.1.27 <Function 40h> US (a 40h p (Screen saver)**Code: 1Fh 28h 61h 40h p**

p: Screen saver mode

Definable area: $00h \leq p \leq 04h$

p = 00h: Display power OFF (Power save mode)

p = 01h: Display power ON

p = 02h: All dot OFF

p = 03h: All dot ON

p = 04h: Repeat blink display with normal and Reverse display

(Normal: 2s, Reverse: 2s)

Function: Control Power ON or OFF, and Start Screen saver mode.

p = 00h – 01h: Control Power ON or OFF. This setting is applied until this command is re-specified.

p = 02h – 04h: Start Screen saver mode. This setting is cancelled when next data is input.

7.1.28 US (f n [parameter] (Bit image display group)

Function: Display bit image data.

n	Function No.	Function
11h	Function 11h	Real-time bit image display

n: Function code.

7.1.29 <Function 11h> US (f 11n xL xH yL yH g d(1)...d(k) (Real-time bit image display)

Code: 1Fh 28h 66h 11h xL xH yL yH g d(1)...d(k)

xL: Bit image X size, lower byte (by 1 dot)

xH: Bit image X size, upper byte (by 1 dot)

yL: Bit image Y size, lower byte (by 8 dots)

yH: Bit image Y size, upper byte (by 8 dots)

g: Image information = 1 (fixed)

d(1)–d(k): Bit Image data (see below)

Definable area: $0001h \leq (xL + xH \times 100h) \leq 0200h$

$0001h \leq (yL + yH \times 100h) \leq 0008h$

$g = 01h$

$k = x \times y \times g$

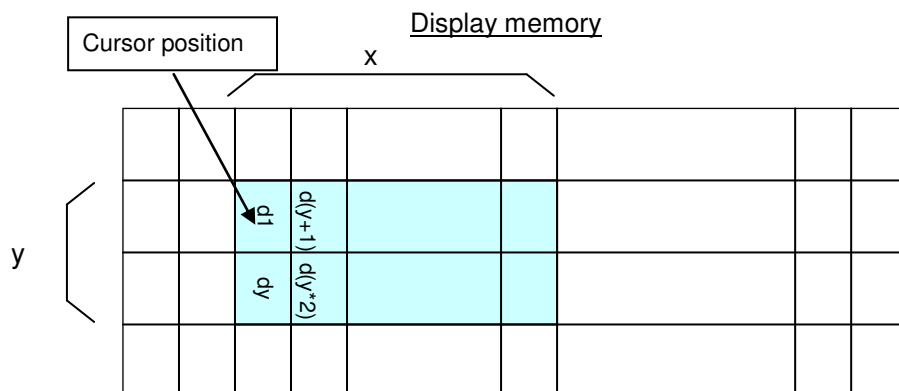
$00h \leq d \leq FFh$

Function: Display the bit image data at the cursor position in real-time.

Cursor position does not change.

If bit image exceeds the bounds of the current window, only the portion within the currently-selected window is displayed.

If Display position or display size etc, are outside the definable area, the command is cancelled at the point where the error is detected, and the remaining data is treated as standard data.



7.1.30 US (d n [parameter] (Dot unit command group)

Function: Dot unit display bit image data or character.

n	Function No.	Function
20h	Function 20h	Dot unit downloaded bit image display
21h	Function 21h	Dot unit real-time bit image display
30h	Function 30h	Dot unit character display

n: Function code.

Max_Xdot_CurtWin: Maximum valid X-coordinate value for current window.

Max_Ydot_CurtWin: Maximum valid Y-coordinate value for current window.

$0000h \leq \text{Max_Xdot_CurtWin} \leq 01FFh$ *

$0007h \leq \text{Max_Ydot_CurtWin} \leq 003Fh$ *

* Depends on size of current window.

7.1.31 <Function 20h> US (d 20h xPL xPH yPL yPH m aL aH aE ySL ySH xOL xOH yOL yOH xL xH yL yH g (Dot unit downloaded bit image display)

Code: 1Fh 28h 64h 20h xPL xPH yPL yPH m aL aH aE ySL ySH xOL xOH yOL yOH xL xH yL yH g

xPL: Display position x, lower byte (by 1 dot)

xPH: Display position x, upper byte (by 1 dot)

yPL: Display position y, lower byte (by 1 dot)

yPH: Display position y, upper byte (by 1 dot)

m: Image data display memory select

aL: Bit image data definition address, lower byte

aH: Bit image data definition address, upper byte

aE: Bit image data definition address, extension byte

ySL: Bit image defined, Y size, lower byte (by 8 dots)

ySH: Bit image defined, Y size, upper byte (by 8 dots)

xOL: Image data offset x, lower byte (by 1 dot)

xOH: Image data offset x, upper byte (by 1 dot)

yOL: Image data offset y, lower byte (by 1 dot)

yOH: Image data offset y, upper byte (by 1 dot)

xL: Bit image display X size, lower byte (by 1 dot)

xH: Bit image display X size, upper byte (by 1 dot)

yL: Bit image display Y size, lower byte (by 1 dot)

yH: Bit image display Y size, upper byte (by 1 dot)

g: Image information = 1 (fixed)

Definable area: $0000h \leq (xPL + xPH \times 100h) \leq \text{Max_Xdot_CurtWin}$

$0000h \leq (yPL + yPH \times 100h) \leq \text{Max_Ydot_CurtWin}$

m = 02h: Display Memory bit image

Display Memory bit image

$(aL + aH \times 100h + aE \times 10000h) = 000000h$

$(ySL + ySH \times 100h) = 0000h$

$0000h \leq (xOL + xOH \times 100h) \leq 01FFh$

$0000h \leq (yOL + yOH \times 100h) \leq 003Fh$

$0001h \leq (xL + xH \times 100h) \leq 0200h$

$0001h \leq (yL + yH \times 100h) \leq 0040h$

g = 01h

Function: Display the bit image defined in FROM at the specified (x,y) position.

Display position, display size, and image data offset are specified in unit of 1 dot.

If bit image exceeds the bounds of the current window, only the portion within the currently-selected window is displayed.

If Display position or image size, etc are outside the definable area, the command is cancelled at the point where the error is detected, and the remaining data is treated as standard data.

7.1.32 <Function 21h> US (d 21h xPL xPH yPL yPH xL xH yL yH g d(1)...d(k)) (Dot unit real-time bit image display)

Code: 1Fh 28h 64h 21h xPL xPH yPL yPH xL xH yL yH g d(1)...d(k)

xPL: Display position x, lower byte (by 1 dot)

xPH: Display position x, upper byte (by 1 dot)

yPL: Display position y, lower byte (by 1 dot)

yPH: Display position y, upper byte (by 1 dot)

xL: Bit image display X size, lower byte (by 1 dot)

xH: Bit image display X size, upper byte (by 1 dot)

yL: Bit image display Y size, lower byte (by 1 dot)

yH: Bit image display Y size, upper byte (by 1 dot)

g: Display information = 1 (fixed)

d(1)–d(k): Bit image data (see below)

Definable area: $0000h \leq (xPL + xPH \times 100h) \leq \text{Max_Xdot_CurtWin}$

$0000h \leq (yPL + yPH \times 100h) \leq \text{Max_Ydot_CurtWin}$

$0001h \leq (xL + xH \times 100h) \leq 0200h$

$0001h \leq (yL + yH \times 100h) \leq 0040h$

g = 01h

$00h \leq d \leq FFh$

Function: Display the bit image data at the specified (x,y) position in real-time.

Display position and display size are specified in units of 1 dot.

If bit image exceeds the bounds of the current window, only the portion within the currently-selected window is displayed.

If Display position or display size are outside the definable area, the command is cancelled at the point where the error is detected, and the remaining data is treated as standard data.

Example: xP=2, yP=1, Display size x=8, y=14

Image data

b7	d1	d3	d5	d7	d9	d11	d13	d15
b6								
b5								
b4								
b3								
b2								
b1								
b0								
b7	d2	d4	d6	d8	d10	d12	d14	d16
b6								
b5								
b4								
b3								
b2								
b1								
b0								