



Chipsmall Limited consists of a professional team with an average of over 10 year of expertise in the distribution of electronic components. Based in Hongkong, we have already established firm and mutual-benefit business relationships with customers from,Europe,America and south Asia,supplying obsolete and hard-to-find components to meet their specific needs.

With the principle of “Quality Parts,Customers Priority,Honest Operation,and Considerate Service”,our business mainly focus on the distribution of electronic components. Line cards we deal with include Microchip,ALPS,ROHM,Xilinx,Pulse,ON,Everlight and Freescale. Main products comprise IC,Modules,Potentiometer,IC Socket,Relay,Connector.Our parts cover such applications as commercial,industrial, and automotives areas.

We are looking forward to setting up business relationship with you and hope to provide you with the best service and solution. Let us make a better world for our industry!



## Contact us

Tel: +86-755-8981 8866 Fax: +86-755-8427 6832

Email & Skype: info@chipsmall.com Web: www.chipsmall.com

Address: A1208, Overseas Decoration Building, #122 Zhenhua RD., Futian, Shenzhen, China



GV-32830-000

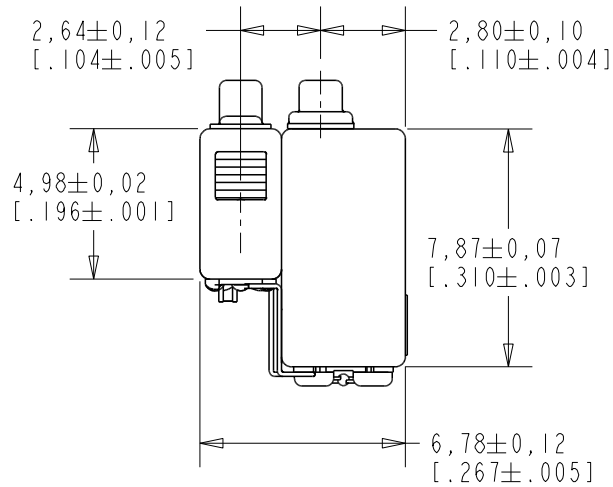
SHT 1.1

NOTES:

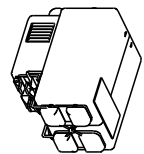
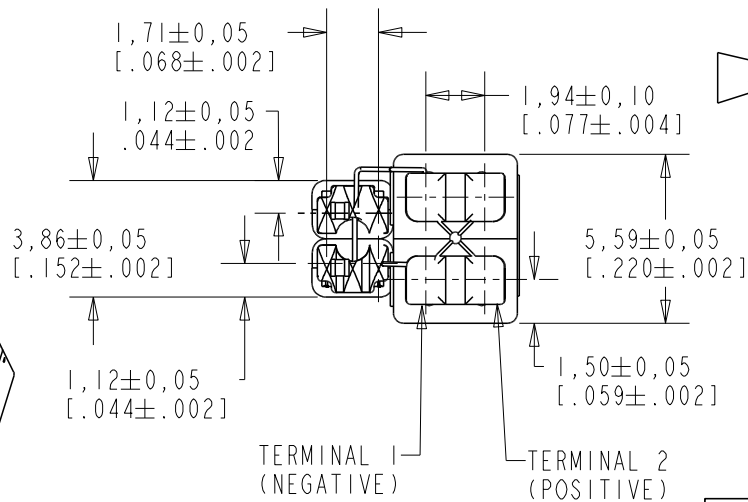
1. A POSITIVE GOING VOLTAGE AT TERMINAL 2, RELATIVE TO TERMINAL 1, CAUSES A DECREASE IN PRESSURE AT THE SOUND OUTLET.

2 LOCATED FROM TWO SURFACES FOR CUSTOMER CONVENIENCE. ONLY APPLICABLE FROM ONE SURFACE, NOT TO BE USED TOGETHER.

3 VENT HOLES ON THIS SIDE TO BE COVERED WITH TAPE M36042.



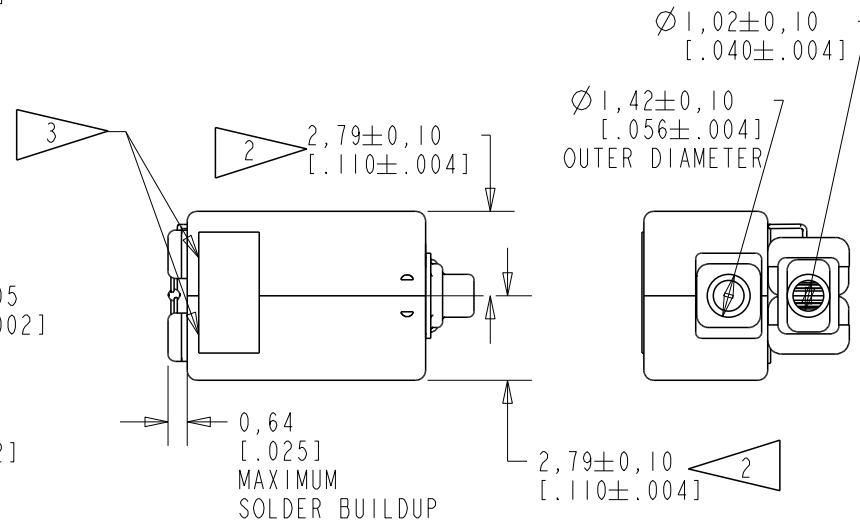
**RED CONTROLLED**



SCALE 2:1

NOMINAL WEIGHT  
.71 GRAMS

DIMENSIONS IN MILLIMETERS [INCHES]



Revision	C.O. #	Implementation Date	RELEASE LEVEL	REVISION
			Active	A
A	PI0000621	8-16-16		

SCALE: 4:1

DO NOT SCALE DRAWING

TITLE: RECEIVER  
OUTLINE DRAWING

GV-32830-000  
SHT 1.1

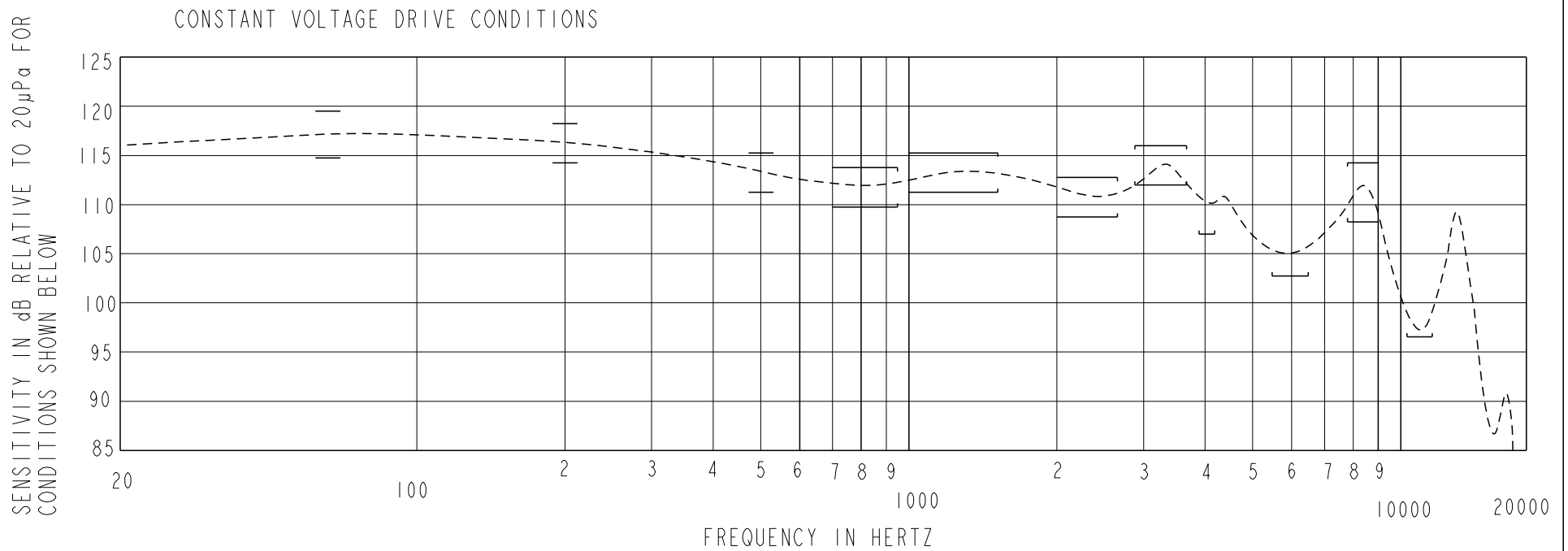
DR. BY	DATE
NANC	8-16-16
CK. BY	DATE
GJP	8-16-16
APP. BY	DATE
GJP	8-16-16

**KNOWLES CORPORATION**

UNDAMPED MAGNETIC BALANCED ARMATURE RECEIVERS INTENDED FOR USE AS THE HIGH AND LOW FREQUENCY DRIVERS IN A HI FI SYSTEM. THE GV RECEIVER COMBINES A TWFK AND HODVTEC RECEIVERS COUPLED THROUGH A CIRCUIT TO PROVIDE THE RESPONSE SHAPE.

GV-32830-000

SHEET 2.1



ACOUSTICAL

SENSITIVITY  
DEVICE WILL PRODUCE THE SPL LISTED BELOW UNDER TEST CONDITION IN TABLE 3.  
NOMINAL SENSITIVITY AT 1kHz IS dB RELATIVE TO 20 µPa. ALL OTHER VALUES IN dB RELATIVE TO THE SENSITIVITY AT 1kHz.

FREQUENCY (Hz)	MINIMUM	NOMINAL	MAXIMUM
70	+1.5	+3.875	+6.25
200	+1.0	+3.0	+5.0
500	-2.0	+113.25	+2.0
700-950	-3.5	-1.5	+0.5
1000-1600	-2.0	+0.0	+2.0
2000-2700	-4.5	-2.5	-0.5
2900-3700	-1.25	+0.75	+2.75
3900-4200	-6.25	--	--
5500-6500	-10.5	--	--
7800-9000	-5.0	-2.0	+1.0
10500-12500	-16.7	--	--

TABLE 1

TOTAL HARMONIC DISTORTION  
DEVICE WILL NOT EXCEED TOTAL HARMONIC DISTORTION LEVELS LISTED BELOW.

FREQUENCY (Hz)	AC DRIVE (V rms)	DC BIAS (mA)	LIMIT (%)
830	0.101	0	3
1130	0.101	0	3
500	0.202	0	3

TABLE 2

TEST CONDITIONS

NOMINAL SOURCE VOLTAGE	0.101 V rms, 0 V DC BIAS
SOURCE IMPEDANCE	<1 Ohm
TUBING	T-11930
COUPLER CAVITY	IEC 60318-4(711)

TABLE 3

ELECTRICAL

DC RESISTANCE	35.0 OHMS ± 10%
IMPEDANCE @ 500 Hz	50.0 OHMS ± 15%
IMPEDANCE @ 1 k Hz	28.125 OHMS ± 15%

TABLE 4

ISOLATION: CASE WILL BE ELECTRICALLY ISOLATED FROM THE COIL CIRCUIT.

MECHANICAL

PORT LOCATION: DUAL PORT

SOLDER TYPE: SAC305 (LEAD FREE)

TEMPERATURE

OPERATING: SENSITIVITY AT 1K Hz WILL NOT VARY MORE THAN +1/-3 dB FROM 0°C TO 63°C  
STORAGE: -40°C TO 63°C

**RED CONTROLLED**

**KNOWLES CORPORATION**

Revision	C.O. #	Implementation Date	RELEASE LEVEL	REVISION
			Active	A
A	PI0000621	8-16-16		
WHEN TEST LIMITS ARE USED TO ESTABLISH INCOMING INSPECTION ACCEPTANCE/REJECTION CRITERIA, CORRELATION OF TEST EQUIPMENT WITH KNOWLES IS ALSO REQUIRED FOR ELIMINATION OF EQUIPMENT AND TEST METHOD VARIATION				
TITLE: RECEIVER		GV-32830-000	DR. BY NANC	DATE 8-16-16
PERFORMANCE SPECIFICATION		SHT 2.1	CK. BY GJP	DATE 8-16-16
			APP. BY GJP	DATE 8-16-16