

Chipsmall Limited consists of a professional team with an average of over 10 year of expertise in the distribution of electronic components. Based in Hongkong, we have already established firm and mutual-benefit business relationships with customers from,Europe,America and south Asia,supplying obsolete and hard-to-find components to meet their specific needs.

With the principle of “Quality Parts,Customers Priority,Honest Operation,and Considerate Service”,our business mainly focus on the distribution of electronic components. Line cards we deal with include Microchip,ALPS,ROHM,Xilinx,Pulse,ON,Everlight and Freescale. Main products comprise IC,Modules,Potentiometer,IC Socket,Relay,Connector.Our parts cover such applications as commercial,industrial, and automotives areas.

We are looking forward to setting up business relationship with you and hope to provide you with the best service and solution. Let us make a better world for our industry!



Contact us

Tel: +86-755-8981 8866 Fax: +86-755-8427 6832

Email & Skype: info@chipsmall.com Web: www.chipsmall.com

Address: A1208, Overseas Decoration Building, #122 Zhenhua RD., Futian, Shenzhen, China



GV8501 ActiveConnect™ Multimedia Receiver

Features

- 10.2Gb/s HDMI 1.3b compatible
- 10.8 Gb/s DisplayPort 1.1 compatible
- 50Ω differential output (internal 50Ω pull-ups)
- Pb-free and RoHS compliant
- Single 3.3V power supply operation
- Operating temperature range: 0°C to +70°C
- Small footprint (4mm x 4mm)

Applications

- Multi-rate HDMI interfaces
- Multi-rate DisplayPort interfaces

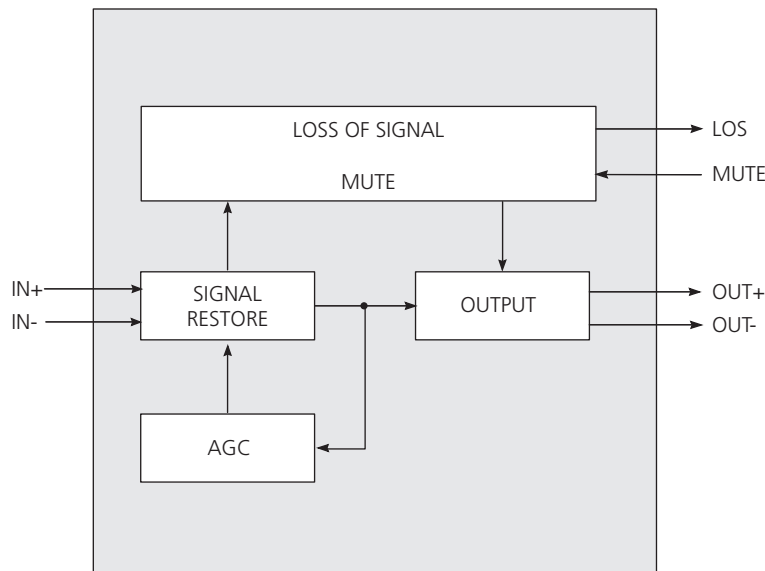
Description

The GV8501 is a high-speed BiCMOS integrated circuit designed to restore signals after transmission over copper-based media.

Power consumption is typically 215mW using a 3.3V power supply. The GV8501 is Pb-free, and the encapsulation compound does not contain halogenated flame retardant.

The GV8501 is designed to operate with the GV8500 multimedia transmitter to enable long reach HDMI / DisplayPort connectivity.

This component and all homogeneous subcomponents are RoHS compliant.



GV8501 Functional Block Diagram

Revision History

Version	ECR	Date	Changes and/or Modifications
0	149329	February 2008	Update sections throughout.
A	147549	October 2007	New document.

Contents

Features.....	1
Applications.....	1
Description.....	1
1. Pin Out.....	3
1.1 Pin Assignment	3
1.2 Pin Descriptions	3
2. Electrical Characteristics	4
2.1 Absolute Maximum Ratings	4
2.2 DC Electrical Characteristics	4
2.3 AC Electrical Characteristics	5
3. Input / Output Circuits	6
4. Detailed Description.....	7
4.1 Serial Digital Inputs	7
4.2 Mute and Loss of Signal	7
5. Application Information	8
6. Package & Ordering Information	9
6.1 Package Dimensions	9
6.2 Packaging Data	9
6.3 Recommended PCB Footprint	10
6.4 Marking Diagram	10
6.5 Solder Reflow Profile	11
6.6 Ordering Information	11

1. Pin Out

1.1 Pin Assignment

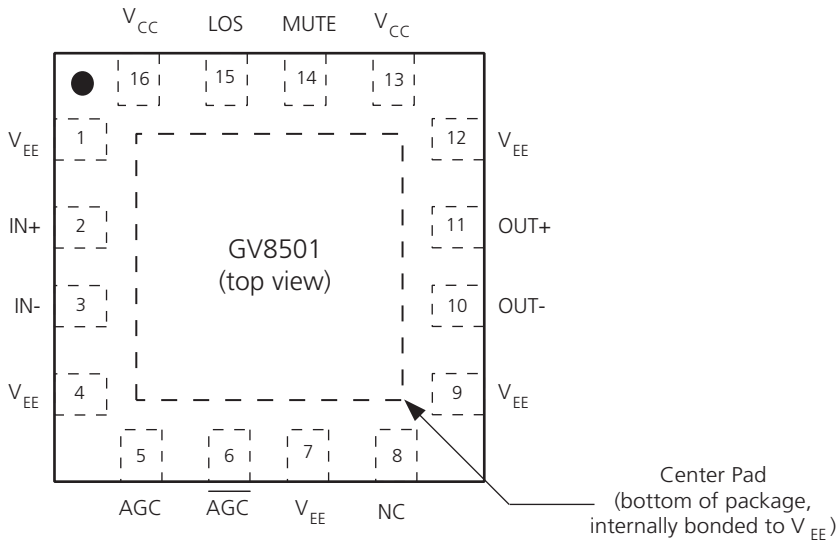


Figure 1-1: GV8501 16-Pin QFN

1.2 Pin Descriptions

Table 1-1: GV8501 Pin Descriptions

Pin Number	Name	Type	Description
1, 4, 7, 9, 12	V_{EE}	Power	Most negative power supply. Connect to GND.
2, 3	IN+, IN-	Input	Differential input.
5, 6	AGC, \overline{AGC}	–	External AGC capacitor.
8	NC	–	No connect.
10, 11	OUT+, OUT-	Output	Differential output.
13, 16	V_{CC}	Power	Most positive power supply. Connect to +3.3V DC.
14	MUTE	Input	Control Signal Input: Controls output behaviour on OUT+ and OUT-. Refer to 4.2 Mute and Loss of Signal .
15	LOS	Output	Loss Of Signal. Refer to 4.2 Mute and Loss of Signal .
–	Center Pad	Power	Internally bonded to V_{EE} .

2. Electrical Characteristics

2.1 Absolute Maximum Ratings

Table 2-1: Absolute Maximum Ratings

Parameter	Value
Supply Voltage	-0.3V to +3.6V DC
Input ESD Voltage	4kV
Storage Temperature Range	-50°C < T _s < 125°C
Input Voltage Range (any input)	-0.3 to (V _{CC} +0.3)V
Operating Temperature Range	0°C to 70°C
Solder Reflow Temperature	260°C

Note: Absolute Maximum ratings are those values beyond which damage to the device may occur. Functional operation under these conditions or at any other condition beyond those indicate in AC/DC Electrical Characteristics sections, is not implied.

2.2 DC Electrical Characteristics

Table 2-2: DC Electrical Characteristics

V_{CC} = 3.3V ±5%, T_A = 0°C to 70°C, unless otherwise shown.

Parameter	Symbol	Conditions	Min	Typ	Max	Units	Notes
Supply Voltage	V _{CC}	–	3.135	3.3	3.465	V	±5%
Power Consumption	P _D	T _A = 25°C	–	215	–	mW	
Supply Current	I _s	T _A = 25°C	–	65	–	mA	
Output Common Mode Voltage	V _{CMOUT}	T _A = 25°C	–	V _{CC} - ΔV _{OUT} /2	–	V	
Input Common Mode Voltage	V _{CMIN}	T _A = 25°C	–	1.75	–	V	
LOS Output Voltage	V _{LOS(OH)}	Carrier not present	2.4	–	–	V	
	V _{LOS(OL)}	Carrier present	–	–	0.4	V	
Mute Input Voltage Required to Force Outputs to Mute	V _{Mute}	Min to Mute	2.0	–	–	V	
Mute Input Voltage Required to Force Outputs Active	V _{Mute}	Max to Activate	–	–	0.8	V	

2.3 AC Electrical Characteristics

Table 2-3: AC Electrical Characteristics

$V_{CC} = 3.3V \pm 5\%$, $T_A = 0^\circ C$ to $70^\circ C$, PRBS2⁷-1, GV8500 as source, unless otherwise shown.

Parameter	Symbol	Conditions	Min	Typ	Max	Units	Notes
Serial Input Data Rate	DR	–	0.25	–	3.4	Gb/s	
Serial Input Clock Rate	–	HDMI Clock, 1/10th Data Rate	25	–	340	MHz	
Input Voltage Swing	ΔV_{IN}	Measured prior to cable loss	700	800	900	mV _{p-p}	
Output Voltage Swing	ΔV_{OUT}	100 Ω load, $T_A = 25^\circ C$, differential	550	750	1050	mV _{p-p}	
Additive Jitter	–	1 - 40dB cable loss at 1.7GHz	–	0.3	–	UI	1
Output Rise/Fall Time	–	20% - 80%	40	80	220	ps	
Input Return Loss	–	–	TBD	TBD	–	dB	
Input Resistance	–	single ended	–	1.52	–	k Ω	
Input Capacitance	–	single ended	–	1	–	pF	
Output Resistance	–	single ended	–	50	–	Ω	

1. Based on characterization data using the recommended applications circuit.

3. Input / Output Circuits

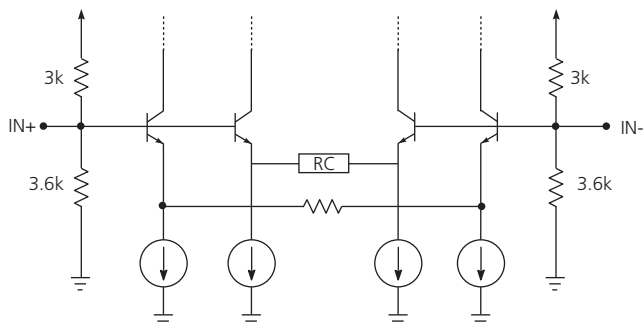


Figure 3-1: Differential Input Stage (IN+/IN-)

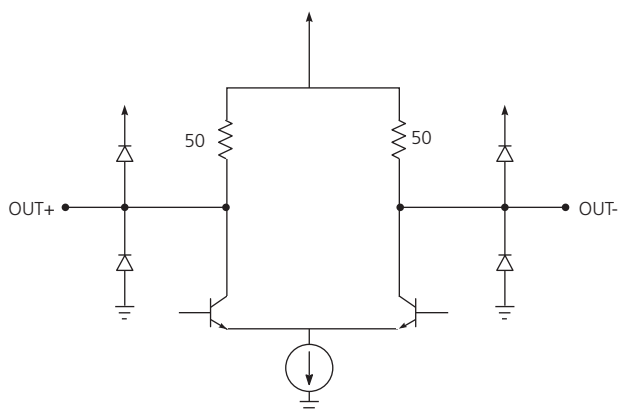


Figure 3-2: Differential Output Stage (OUT+/OUT-)

4. Detailed Description

The GV8501 is a high-speed BiCMOS IC designed to recover HDMI high-speed data and clock signals, and DisplayPort high-speed data signals after transmission over lossy media.

4.1 Serial Digital Inputs

AC coupling of the inputs is recommended, as the IN+ and IN- inputs are internally biased at approximately 1.8V.

4.2 Mute and Loss of Signal

The GV8501 has a MUTE input pin that allows the application interface to mute the serial digital output at any time. Set the MUTE pin HIGH to mute OUT+ and OUT-.

A Loss Of Signal output pin (LOS) indicates the absence of a valid signal at the input of the GV8501.

Note: This pin, MUTE, may be connected directly to the LOS pin to allow mute on loss of carrier.

Table 4-1: Mute Input Table

Mute	Function
0	OUT+ and OUT- operate normally
1	OUT+ and OUT- are forced to a steady state

Table 4-2: Loss of Signal Output Table

LOS	Input Status
0	Valid Input on IN+, IN- pins
1	Input is not valid

5. Application Information

This is a recommended circuit from one of Gennum's Reference Design Kits (RDKs).

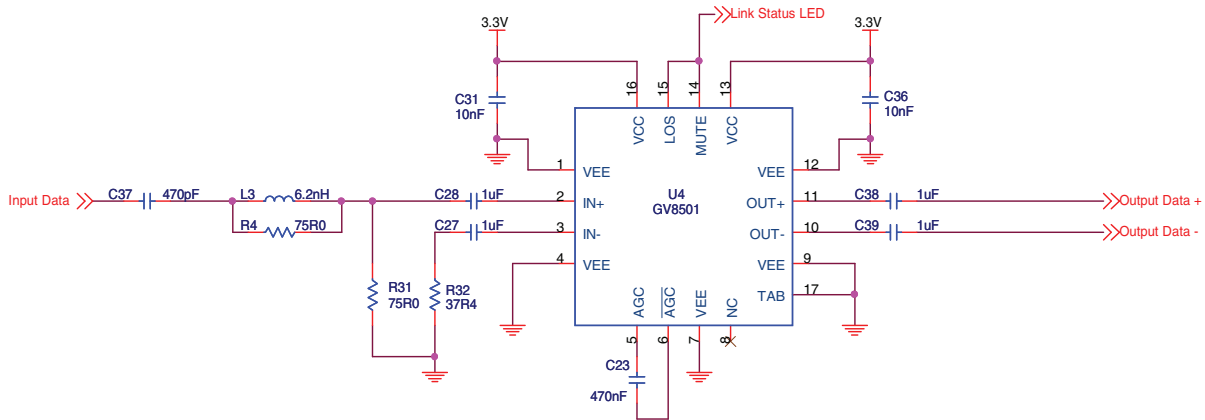


Figure 5-1: Recommended Circuit

See RDK documents for more information.

6. Package & Ordering Information

6.1 Package Dimensions

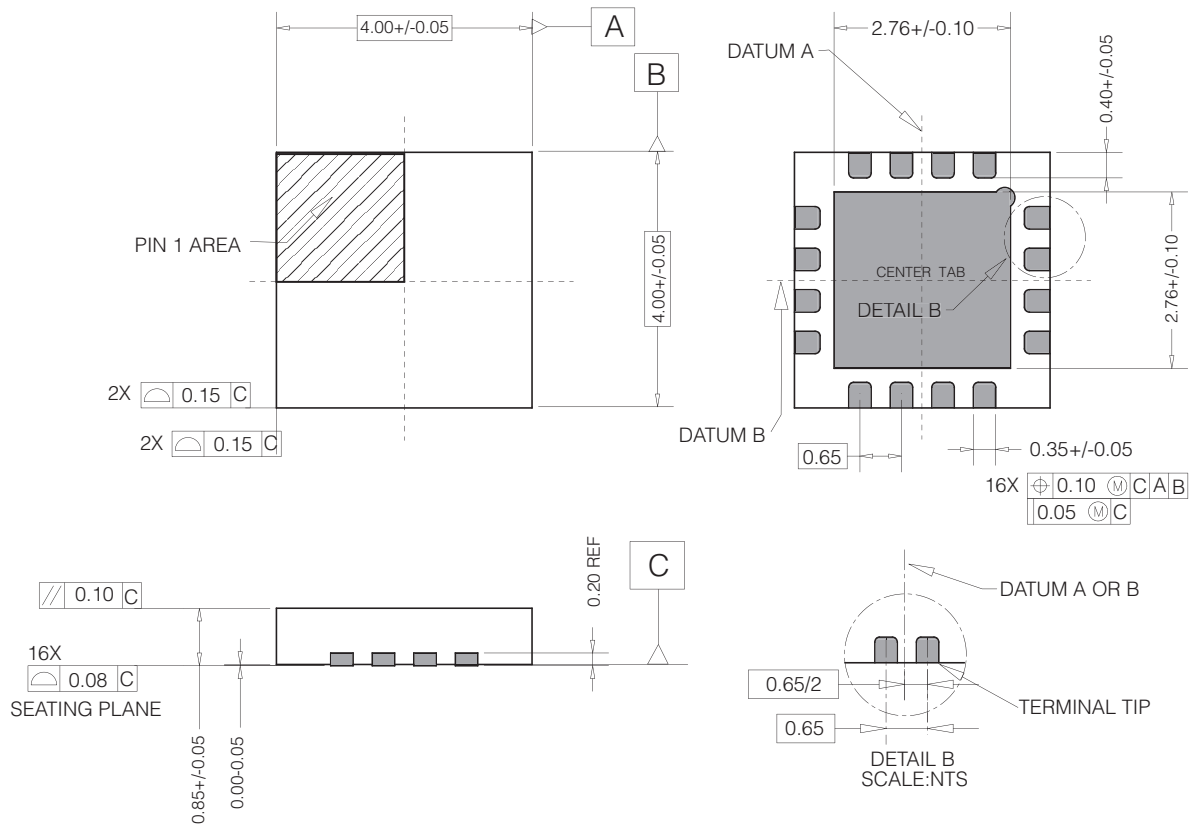


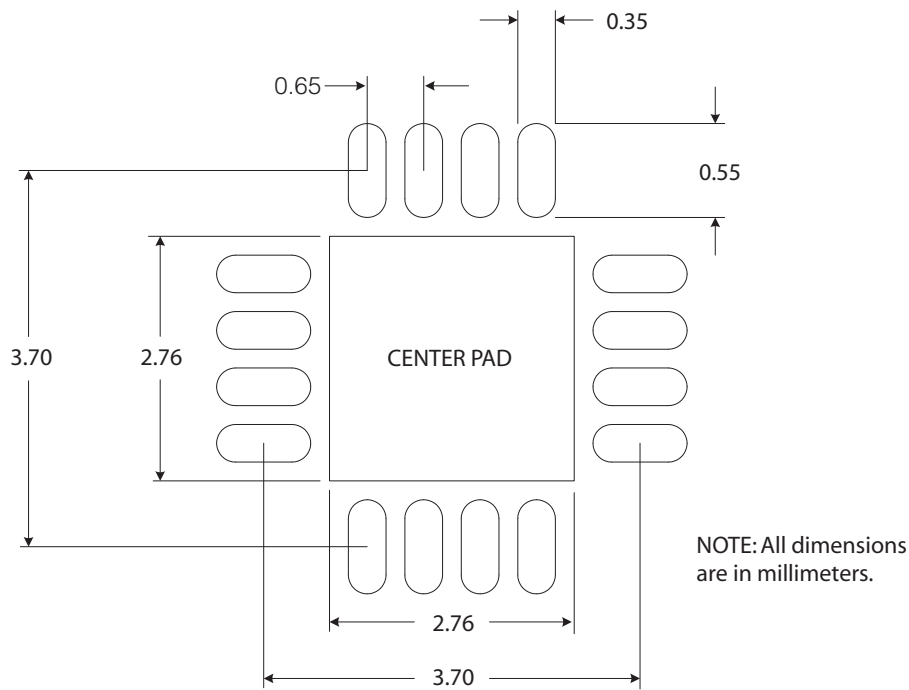
Figure 6-1: GV8501 Package Dimensions

6.2 Packaging Data

Table 6-1: Packaging Data

Parameter	Value
Package Type	4mm x 4mm 16-pin QFN
Package Drawing Reference	JEDEC M0220
Moisture Sensitivity Level	3
Junction to Case Thermal Resistance, θ_{j-c}	31.0°C/W
Junction to Air Thermal Resistance, θ_{j-a} (at zero airflow)	43.8°C/W
Psi, ψ	11.0°C/W
Pb-free and RoHS compliant	Yes

6.3 Recommended PCB Footprint



Note: Suggested dimensions only. Final dimensions should conform to customer design rules and process optimizations.

Figure 6-2: GV8501 PCB Footprint

The Center Pad should be connected to the most negative power supply plane for analog circuitry in the device (V_{EE}) by a minimum of 5 vias.

6.4 Marking Diagram



Figure 6-3: GV8501 Marking Diagram

6.5 Solder Reflow Profile

The device is manufactured with Matte-Sn terminations and is compatible with both standard eutectic and Pb-free solder reflow profiles. MSL qualification was performed using the maximum Pb-free reflow profile shown in Figure 6-4.

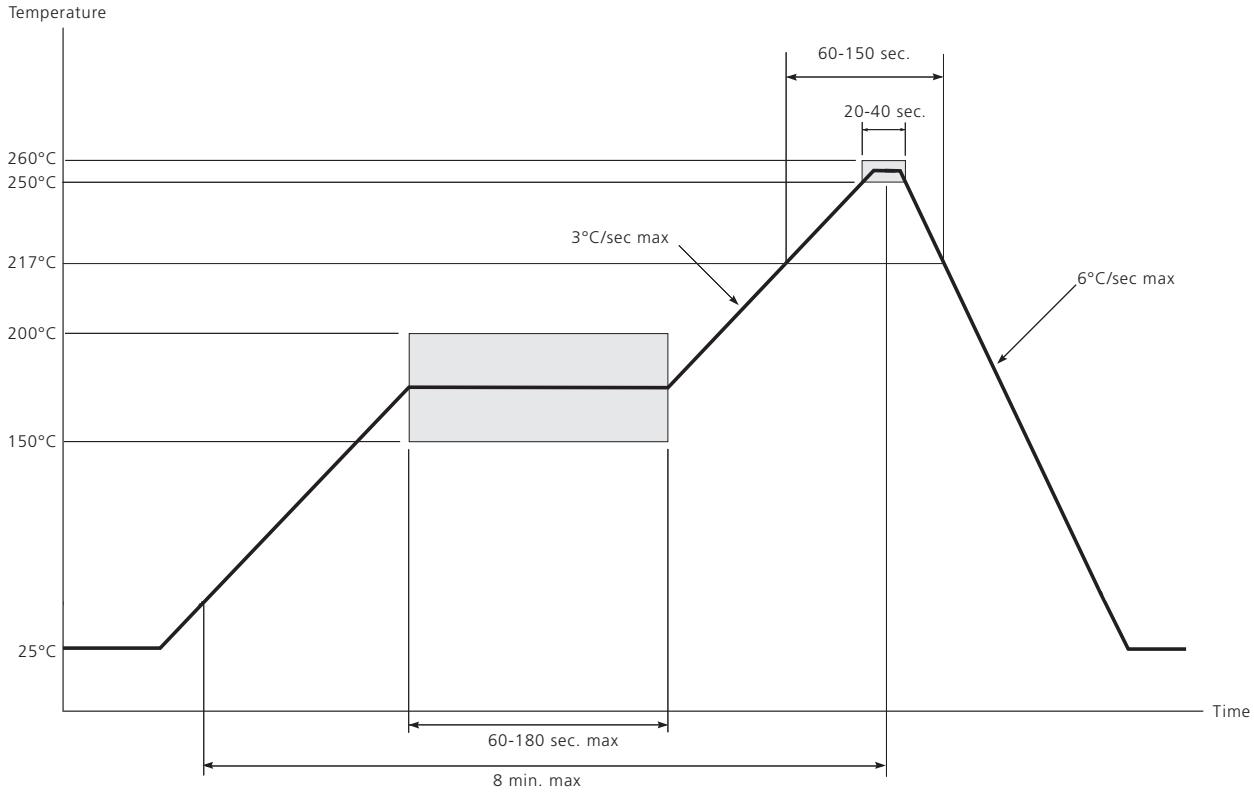


Figure 6-4: Maximum Pb-free Solder Reflow Profile (Preferred)

6.6 Ordering Information

Part Number	Package	Temperature Range
GV8501-CNE3	16-pin QFN	0°C to 70°C

CAUTION

ELECTROSTATIC SENSITIVE DEVICES
DO NOT OPEN PACKAGES OR HANDLE EXCEPT AT A STATIC-FREE WORKSTATION

**DOCUMENT IDENTIFICATION
PRELIMINARY DATA SHEET**

The product is in a preproduction phase and specifications are subject to change without notice.

GENNUM CORPORATION

Mailing Address: P.O. Box 489, Station A, Burlington, Ontario, Canada L7R 3Y3
Street Addresses: 4281 Harvester Road, Burlington, Ontario, Canada L7L 5M4
Phone: (905) 632-2996
Fax: (905) 632-2055
Email: corporate@gennum.com

OTTAWA DESIGN CENTRE

232 Herzberg Road, Suite 101
Kanata, Ontario K2K 2A1
Canada
Phone: (613) 270-0458
Fax: (613) 270-0429
Email: corporate@gennum.com

SNOWBUSH IP

A DIVISION OF GENNUM
439 University Ave. Suite 1700
Toronto, Ontario M5G 1Y8
Canada
Phone: (416) 925-5643
Fax: (416) 925-0581
Web Site: <http://www.snowbush.com>

MEXICO

Venustiano Carranza 122 Int. 1
Centro, Aguascalientes
Mexico CP 20000
Phone: (416) 848-03228

JAPAN KK

Shinjuku Green Tower Building 27F
6-14-1, Nishi Shinjuku
Shinjuku-ku, Tokyo, 160-0023
Japan
Phone: 81 (03) 3349 5501
Fax: 81 (03) 3349 5505
Email: gennum-japan@gennum.com
Web Site: <http://www.gennum.co.jp>

UNITED KINGDOM

North Building, Walden Court
Parsonage Lane, Bishop's Stortford
Hertfordshire, CM23 6DB
United Kingdom
Phone: 44 (1279) 714170
Fax: 44 (1279) 714171

Gennum Corporation assumes no liability for any errors or omissions in this document, or for the use of the circuits or devices described herein. The sale of the circuit or device described herein does not imply any patent license, and Gennum makes no representation that the circuit or device is free from patent infringement.

GENNUM, the Gennum logo and ActiveConnect are trademarks or registered trademarks of Gennum Corporation.

All other trademarks mentioned are the properties of their respective owners.

© Copyright 2007 Gennum Corporation. All rights reserved. Printed in Canada.

www.gennum.com

UNITED STATES**WESTERN REGION**

Bayshore Plaza
2107 N 1st Street, Suite #300
San Jose, CA 95131
United States
Phone: (408) 392-9430
Fax: (408) 392-9404

UNITED STATES**EASTERN REGION**

4281 Harvester Road
Burlington, Ontario L7L 5M4
Canada
Phone: (905) 632-2996
Fax: (905) 632-2055

TAIWAN

6F-4, No.51, Sec.2, Keelung Rd.
Sinyi District, Taipei City 11502
Taiwan R.O.C.
Phone: (886) 2 8732 8879
Fax: (886) 2 8732 8870

KOREA

8F, Jinnex Lakeview Bldg.
65-2, Bangidong, Songpagu
Seoul, Korea 138-828
Phone: 82 2 414 2991
Fax: 82 2 414 2998

GERMANY

Niederlassung Deutschland
Stefan-George-Ring 29
81929 München, Germany
Phone: 49 89 309040 290
Fax: 49 89 309040 293
Email: gennum-germany@gennum.com