



Chipsmall Limited consists of a professional team with an average of over 10 year of expertise in the distribution of electronic components. Based in Hongkong, we have already established firm and mutual-benefit business relationships with customers from,Europe,America and south Asia,supplying obsolete and hard-to-find components to meet their specific needs.

With the principle of "Quality Parts,Customers Priority,Honest Operation,and Considerate Service",our business mainly focus on the distribution of electronic components. Line cards we deal with include Microchip,ALPS,ROHM,Xilinx,Pulse,ON,Everlight and Freescale. Main products comprise IC,Modules,Potentiometer,IC Socket,Relay,Connector.Our parts cover such applications as commercial,industrial, and automotives areas.

We are looking forward to setting up business relationship with you and hope to provide you with the best service and solution. Let us make a better world for our industry!



## Contact us

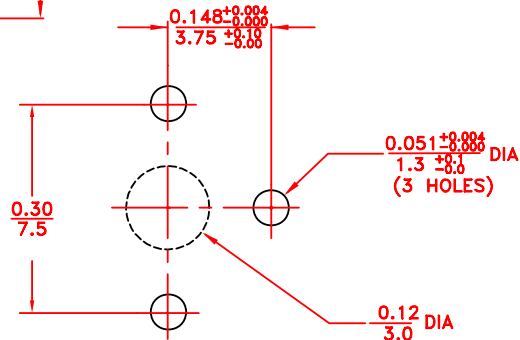
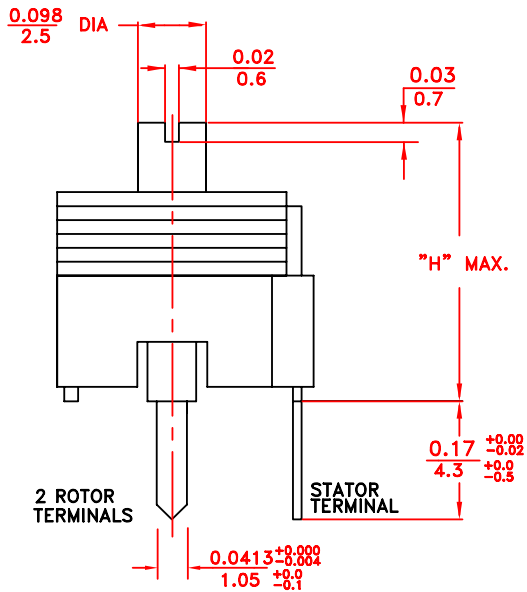
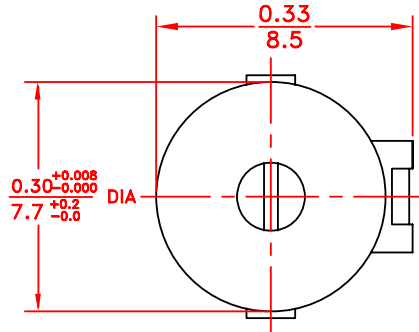
Tel: +86-755-8981 8866 Fax: +86-755-8427 6832

Email & Skype: info@chipsmall.com Web: www.chipsmall.com

Address: A1208, Overseas Decoration Building, #122 Zhenhua RD., Futian, Shenzhen, China



REV	DESCRIPTION	DATE	APP
00	NEW DRAWING	02/12/14	D.D.



SUGGESTED MOUNTING HOLES LAYOUT

Model No.	Capacitance range (pF)	'H' (in/mm)	Color Code
GXE5R000NM	1.0 to 5.0	0.402/10.2	Clear
GXE9R000NM	1.8 to 9.0	0.402/10.2	Yellow
GXE18000NM	2.6 to 18	0.402/10.2	Green
GXE27000NM	3.5 to 27	0.402/10.2	Red
GXE36000NM	4.5 to 36	0.449/11.4	Violet
GXE45000NM	5.0 to 45	0.449/11.4	Orange

**SPECIFICATIONS:**

1. Q min: 1500 at 1 MHz
2. TCC:  $0 \pm 250$  ppm/ $^{\circ}$ C
3. Operating temperature range:  $-40^{\circ}$ C to  $+125^{\circ}$ C
4. Construction: non magnetic
5. Working voltage: 200 VDC
6. Dielectric withstanding voltage: 300 VDC
7. Insulation resistance:  $10^4$  megohms min
8. Torque: 0.21 to 3.5 oz-in (15 to 250 g-cm)
9. Linear capacitance change vs.rotation
10. Dielectric: PTFE

TOLERANCES: (EXCEPT AS NOTED)				SPRAGUE GOODMAN ELECTRONICS INC. 1700 SHAMES DRIVE WESTBURY, NY 11590			
DECIMAL: $\pm 0.002$ in $\pm 0.051$ mm		MATERIAL:		SCALE: 4:1		DRAWN BY: R. LEVIN	
FRACTIONAL: 1/64		TITLE: GXEXXXXXNM				APPROVED: D. DITLYA	
ANGULAR: 1 $^{\circ}$		DATE: 02/12/2014		DRAWING NUMBER: GXEXXXXXNM		USED FOR:	
						REV: 00	