



Chipsmall Limited consists of a professional team with an average of over 10 year of expertise in the distribution of electronic components. Based in Hongkong, we have already established firm and mutual-benefit business relationships with customers from,Europe,America and south Asia,supplying obsolete and hard-to-find components to meet their specific needs.

With the principle of "Quality Parts,Customers Priority,Honest Operation,and Considerate Service",our business mainly focus on the distribution of electronic components. Line cards we deal with include Microchip,ALPS,ROHM,Xilinx,Pulse,ON,Everlight and Freescale. Main products comprise IC,Modules,Potentiometer,IC Socket,Relay,Connector.Our parts cover such applications as commercial,industrial, and automotives areas.

We are looking forward to setting up business relationship with you and hope to provide you with the best service and solution. Let us make a better world for our industry!



## Contact us

Tel: +86-755-8981 8866 Fax: +86-755-8427 6832

Email & Skype: info@chipsmall.com Web: www.chipsmall.com

Address: A1208, Overseas Decoration Building, #122 Zhenhua RD., Futian, Shenzhen, China







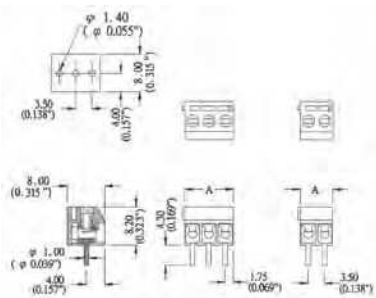
## PRINTED CIRCUIT BOARD TERMINAL BLOCKS & CONNECTORS

AEI OFFERS SINGLE AND DUAL LEVEL TERMINAL BLOCKS FOR PRINTED CIRCUIT BOARDS ON 3.5MM, 5.0MM, .08MM, 7.5MM AND 7.62MM IN MODULAR 2 OR 3 POLE DESIGNS. CONNECTORS ARE OFFERED FROM 3.50MM, 3.81MM, 5.00MM AND 5.08MM VERSIONS IN 90° AND 180° CONFIGURATION UP TO 24 POLES.



# PRINTED CIRCUIT BOARD

## TERMINAL BLOCKS

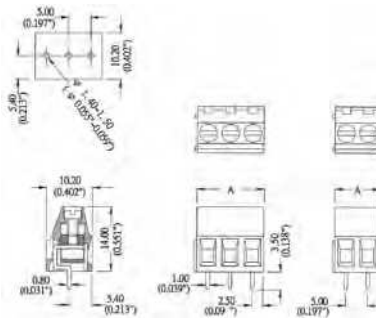


### SINGLE LEVEL • 90° • PITCH: 3.50 MM

#### TECHNICAL

TERMINAL:	BRASS, TIN PLATED
WIRE PROTECTOR:	STAINLESS STRIP STEEL
INSULATING BODY:	POLYESTER
SCREW:	M2.0, STEEL, CHROMATIZED
COLOR:	BLACK
OPERATION TEMPERATURE:	-33°C TO +105°C
SHORT-TIME TEMPERATURE:	UP TO 200°C (+392°F)
CURRENT RATING:	6 AMP AC300V
INSULATION WITHSTANDING VOLT:	AC1500V MIN
INSULATION RESISTANCE:	>5000Ω AT DC500V
PCB HOLE DIAMETER:	φ 1.4 MM
WIRE STRIP LENGTH:	4MM - 5MM
WIRE RANGE:	16 - 26 AWG
SCREWS TORQUE:	2.5 LB-INCH

ITEM No.	POLES	A (MM)	A (INCH)
<b>T-212-350M2</b>	2	7.00	0.276
<b>T-212-350M3</b>	3	10.50	0.413

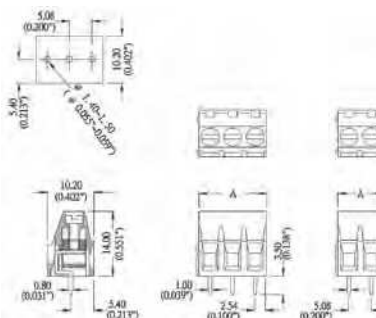


### SINGLE LEVEL • 90° • PITCH: 5.00 MM

#### TECHNICAL

CAGE CLAMP:	BRASS, NI PLATED
TERMINAL:	BRASS, TIN PLATED, 0.8T
INSULATING BODY:	POLYAMIDE66 (UL94V-0)
SCREW:	M2.6, STEEL, NI PLATED
COLOR:	GREEN
OPERATION TEMPERATURE:	-55°C TO +105°C
SHORT-TIME TEMPERATURE:	UP TO 250°C (+482°F)
CURRENT RATING:	16 AMP AC300V
INSULATION WITHSTANDING VOLT:	AC2000V MIN
INSULATION RESISTANCE:	>5000Ω AT DC500V
PCB HOLE DIAMETER:	φ 1.4 MM - φ 1.5 MM
WIRE STRIP LENGTH:	4MM - 5MM
WIRE RANGE:	14 - 24 AWG
SCREWS TORQUE:	5.0 LB-INCH

ITEM No.	POLES	A (MM)	A (INCH)
<b>T-312-500M2</b>	2	10.00	0.394
<b>T-312-500M3</b>	3	15.00	0.591



### SINGLE LEVEL • 90° • PITCH: 5.08 MM

#### TECHNICAL

TERMINAL:	BRASS, NI PLATED
WIRE PROTECTOR:	BRASS, TIN PLATED, 0.8T
INSULATING BODY:	POLYAMIDE66 (UL94V-0)
SCREW:	M2.6, STEEL, NI PLATED
COLOR:	GREEN
OPERATION TEMPERATURE:	-55°C TO +105°C
SHORT-TIME TEMPERATURE:	UP TO 250°C (+482°F)
CURRENT RATING:	16 AMP AC300V
INSULATION WITHSTANDING VOLT:	AC2000V MIN
INSULATION RESISTANCE:	>5000Ω AT DC500V
PCB HOLE DIAMETER:	φ 1.4 MM - φ 1.5 MM
WIRE STRIP LENGTH:	4MM - 5MM
WIRE RANGE:	14 - 24 AWG
SCREWS TORQUE:	5.0 LB-INCH

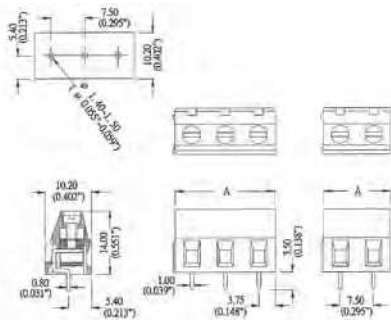
ITEM No.	POLES	A (MM)	A (INCH)
<b>T-312-508M2</b>	2	10.16	0.400
<b>T-312-508M3</b>	3	15.24	0.600



## PRINTED CIRCUIT BOARD

### TERMINAL BLOCKS

#### SINGLE LEVEL • 90° • PITCH: 7.50 MM

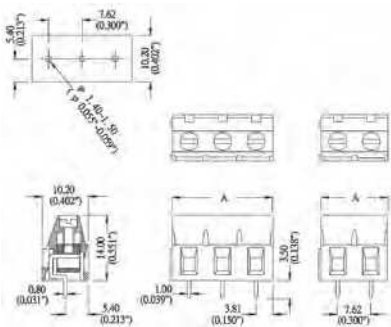


#### TECHNICAL

CAGE CLAMP:	BRASS, NI PLATED
TERMINAL:	BRASS, TIN PLATED, 0.8T
INSULATING BODY:	POLYAMIDE66 (UL94V-0)
SCREW:	M2.6, STEEL, NI PLATED
COLOR:	GREEN
OPERATION TEMPERATURE:	-55°C TO +105°C
SHORT-TIME TEMPERATURE:	UP TO 250°C (+482°F)
CURRENT RATING:	16 AMP AC300V
INSULATION WITHSTANDING VOLT:	AC2000V MIN
INSULATION RESISTANCE:	>5000Ω AT DC500V
PCB HOLE DIAMETER:	φ 1.4 MM - φ 1.5 MM
WIRE STRIP LENGTH:	4MM - 5MM
WIRE RANGE:	14 - 24 AWG
SCREWS TORQUE:	5.0 LB-INCH

ITEM NO.	POLES	A (MM)	A (INCH)
T-312-750M2	2	15.00	0.591
T-312-750M3	3	22.50	0.886

#### SINGLE LEVEL • 90° • PITCH: 7.62 MM

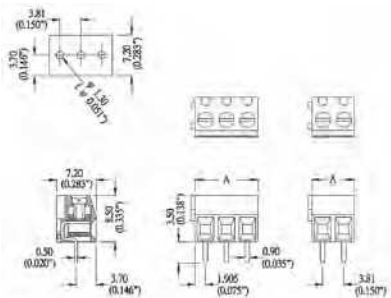


#### TECHNICAL

CAGE CLAMP:	BRASS, NI PLATED
TERMINAL:	BRASS, TIN PLATED, 0.8T
INSULATING BODY:	POLYAMIDE66 (UL94V-0)
SCREW:	M2.6, STEEL, NI PLATED
COLOR:	GREEN
OPERATION TEMPERATURE:	-55°C TO +105°C
SHORT-TIME TEMPERATURE:	UP TO 250°C (+482°F)
CURRENT RATING:	16 AMP AC300V
INSULATION WITHSTANDING VOLT:	AC2000V MIN
INSULATION RESISTANCE:	>5000Ω AT DC500V
PCB HOLE DIAMETER:	φ 1.4 MM - φ 1.5 MM
WIRE STRIP LENGTH:	4MM - 5MM
WIRE RANGE:	14 - 24 AWG
SCREWS TORQUE:	5.0 LB-INCH

ITEM NO.	POLES	A (MM)	A (INCH)
T-312-762M2	2	15.24	0.600
T-312-762M3	3	22.86	0.900

#### SINGLE LEVEL • 90° • PITCH: 3.81 MM



#### TECHNICAL

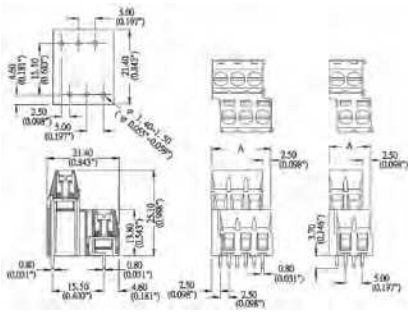
CAGE CLAMP:	BRASS, NI PLATED
TERMINAL:	BRASS, TIN PLATED, 0.5T
INSULATING BODY:	POLYAMIDE66 (UL94V-0)
SCREW:	M2.0, STEEL, NI PLATED
COLOR:	GREEN
OPERATION TEMPERATURE:	-55°C TO +105°C
SHORT-TIME TEMPERATURE:	UP TO 200°C (+392°F)
CURRENT RATING:	8 AMP AC300V
INSULATION WITHSTANDING VOLT:	AC2000V MIN
INSULATION RESISTANCE:	>5000Ω AT DC500V
PCB HOLE DIAMETER:	φ 1.3
WIRE STRIP LENGTH:	4MM - 5MM
WIRE RANGE:	16 - 26 AWG
SCREWS TORQUE:	2.5 LB-INCH

ITEM NO.	POLES	A (MM)	A (INCH)
T-332-381M2	2	7.62	0.300
T-332-381M3	3	11.43	0.450

# PRINTED CIRCUIT BOARD

## TERMINAL BLOCKS

### DOUBLE LEVEL • 90° • PITCH: 5.00 MM

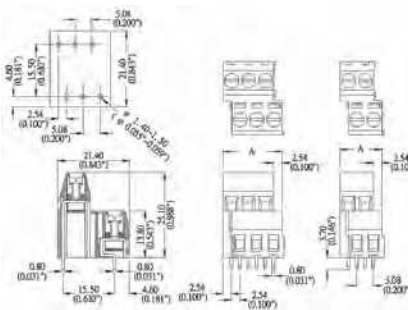


#### TECHNICAL

CAGE CLAMP:	BRASS, NI PLATED
TERMINAL:	BRASS, TIN PLATED, 0.8T
INSULATING BODY:	POLYAMIDE66 (UL94V-0)
SCREW:	M2.6, STEEL, NI PLATED
COLOR:	GREEN
OPERATION TEMPERATURE:	-55°C TO +105°C
SHORT-TIME TEMPERATURE:	UP TO 250°C (+482°F)
CURRENT RATING:	16 AMP AC300V
INSULATION WITHSTANDING VOLT:	AC2000V MIN
INSULATION RESISTANCE:	>5000Ω AT DC500V
PCB HOLE DIAMETER:	φ 1.4 MM - φ 1.5 MM
WIRE STRIP LENGTH:	4MM - 5MM
WIRE RANGE:	14 - 24 AWG
SCREWS TORQUE:	4.5 LB-INCH

ITEM NO.	POLES	A (MM)	A (INCH)
T-362-500M2	2	12.50	0.492
T-362-500M3	3	17.50	0.689

### DOUBLE LEVEL • 90° • PITCH: 5.08 MM



#### TECHNICAL

CAGE CLAMP:	BRASS, NI PLATED
TERMINAL:	BRASS, TIN PLATED, 0.8T
INSULATING BODY:	POLYAMIDE66 (UL94V-0)
SCREW:	M2.6, STEEL, NI PLATED
COLOR:	GREEN
OPERATION TEMPERATURE:	-55°C TO +105°C
SHORT-TIME TEMPERATURE:	UP TO 250°C (+482°F)
CURRENT RATING:	16 AMP AC300V
INSULATION WITHSTANDING VOLT:	AC2000V MIN
INSULATION RESISTANCE:	>5000Ω AT DC500V
PCB HOLE DIAMETER:	φ 1.4 MM - φ 1.5 MM
WIRE STRIP LENGTH:	4MM - 5MM
WIRE RANGE:	14 - 24 AWG
SCREWS TORQUE:	4.5 LB-INCH

ITEM NO.	POLES	A (MM)	A (INCH)
T-362-508M2	2	12.70	0.500
T-362-508M3	3	17.78	0.700

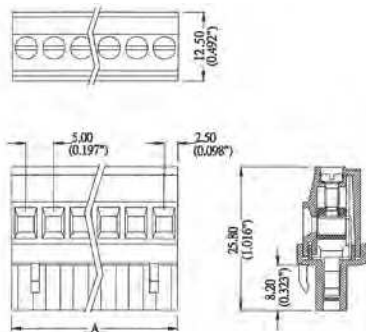
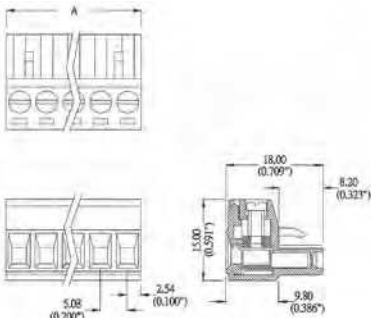
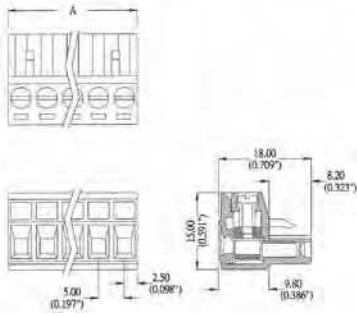




# PRINTED CIRCUIT BOARD

## PLUGS

### PLUGS • 180°



#### TECHNICAL

CAGE CLAMP:	BRASS, NI PLATED
CONTACT:	PHOSPHOR BRONZE, TIN PLATED, 0.4T
INSULATING BODY:	POLYAMIDE66 (UL94V-0)
SCREW:	M3.0, STEEL, ZINC PLATED
COLOR:	GREEN
OPERATION TEMPERATURE:	-55°C TO +105°C
SHORT-TIME TEMPERATURE:	UP TO 250°C (+482°F)
CURRENT RATING:	16 AMP AC300V
INSULATION WITHSTANDING VOLT:	AC2000V MIN
INSULATION RESISTANCE:	>5000Ω AT DC500V
WIRE STRIP LENGTH:	4 MM - 5 MM
WIRE RANGE:	14 - 24 AWG
SCREWS TORQUE:	4.5 LB-INCH

#### PITCH: 5.00 MM

ITEM No.	POLES	A (MM)	A (INCH)	ITEM No.	POLES	A (MM)	A (INCH)
P-100-50002	2	10.00	0.394	P-100-50009	9	45.00	1.772
P-100-50003	3	15.00	0.591	P-100-50010	10	50.00	1.969
P-100-50004	4	20.00	0.787	P-100-50011	11	55.00	2.165
P-100-50005	5	25.00	0.984	P-100-50012	12	60.00	2.362
P-100-50006	6	30.00	1.181				
P-100-50007	7	35.00	1.378	P-100-50024	24	120.00	4.724
P-100-50008	8	40.00	1.575				

#### PITCH: 5.08 MM

ITEM No.	POLES	A (MM)	A (INCH)	ITEM No.	POLES	A (MM)	A (INCH)
P-100-50802	2	10.16	0.400	P-100-50809	9	45.72	1.800
P-100-50803	3	15.24	0.600	P-100-50810	10	50.80	2.000
P-100-50804	4	20.32	0.800	P-100-50811	11	55.88	2.200
P-100-50805	5	25.40	1.000	P-100-50812	12	60.96	2.400
P-100-50806	6	30.48	1.200				
P-100-50807	7	35.56	1.400	P-100-50824	24	121.92	4.800
P-100-50808	8	40.64	1.600				

### PLUGS • 90° • PITCH: 5.00 MM

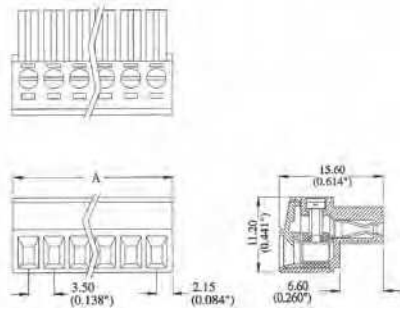
#### TECHNICAL

CAGE CLAMP:	BRASS, NI PLATED
CONTACT:	PHOSPHOR BRONZE, TIN PLATED, 0.4T
INSULATING BODY:	POLYAMIDE66 (UL94V-0)
SCREW:	M2.6, STEEL, ZINC PLATED
COLOR:	GREEN
OPERATION TEMPERATURE:	-55°C TO +105°C
SHORT-TIME TEMPERATURE:	UP TO 250°C (+482°F)
CURRENT RATING:	16 AMP AC300V
INSULATION WITHSTANDING VOLT:	AC2000V MIN
INSULATION RESISTANCE:	>5000Ω AT DC500V
WIRE STRIP LENGTH:	7 MM
WIRE RANGE:	14 - 24 AWG
SCREWS TORQUE:	4.5 LB-INCH

ITEM No.	POLES	A (MM)	A (INCH)	ITEM No.	POLES	A (MM)	A (INCH)
P-200-50002	2	10.00	0.394	P-200-50009	9	45.00	1.772
P-200-50003	3	15.00	0.591	P-200-50010	10	50.00	1.969
P-200-50004	4	20.00	0.787	P-200-50011	11	55.00	2.165
P-200-50005	5	25.00	0.984	P-200-50012	12	60.00	2.362
P-200-50006	6	30.00	1.181				
P-200-50007	7	35.00	1.378	P-200-50024	24	120.00	4.724
P-200-50008	8	40.00	1.575				

# PRINTED CIRCUIT BOARD

## PLUGS



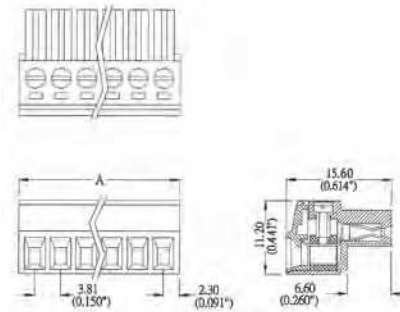
### PLUGS • 180° • PITCH: 3.50 MM

#### TECHNICAL

CAGE CLAMP:	BRASS, NI PLATED
CONTACT:	PHOSPHOR BRONZE, TIN PLATED, 0.3T
INSULATING BODY:	POLYAMIDE66 (UL94V-O)
SCREW:	M2.0, STEEL, ZINC
COLOR:	GREEN
OPERATION TEMPERATURE:	-55°C TO +105°C
SHORT-TIME TEMPERATURE:	UP TO 250°C (+482°F)
CURRENT RATING:	10 AMP AC300V
INSULATION WITHSTANDING VOLT:	AC2000V MIN
INSULATION RESISTANCE:	>5000Ω AT DC500V
WIRE STRIP LENGTH:	6.5 MM
WIRE RANGE:	16 - 26 AWG
SCREWS TORQUE:	2.5 LB-INCH

ITEM No.	POLES	A (MM)	A (INCH)	ITEM No.	POLES	A (MM)	A (INCH)
P-420-35002	2	7.80	0.307	P-420-35009	9	32.30	1.272
P-420-35003	3	11.30	0.445	P-420-35010	10	35.80	1.409
P-420-35004	4	14.80	0.583	P-420-35011	11	39.30	1.547
P-420-35005	5	18.30	0.720	P-420-35012	12	42.80	1.685
P-420-35006	6	21.80	0.858	P-420-35013	13	46.30	1.823
P-420-35007	7	25.30	0.996	P-420-35014	14	49.80	1.961
P-420-35008	8	28.80	1.134				

### PLUGS • 180° • PITCH: 3.81 MM



#### TECHNICAL

CAGE CLAMP:	BRASS, NI PLATED
CONTACT:	PHOSPHOR BRONZE, TIN PLATED, 0.3T
INSULATING BODY:	POLYAMIDE66 (UL94V-O)
SCREW:	M2.0, STEEL, ZINC
COLOR:	GREEN
OPERATION TEMPERATURE:	-55°C TO +105°C
SHORT-TIME TEMPERATURE:	UP TO 250°C (+482°F)
CURRENT RATING:	10 AMP AC300V
INSULATION WITHSTANDING VOLT:	AC2000V MIN
INSULATION RESISTANCE:	>5000Ω AT DC500V
WIRE STRIP LENGTH:	6.5 MM
WIRE RANGE:	16 - 26 AWG
SCREWS TORQUE:	2.5 LB-INCH

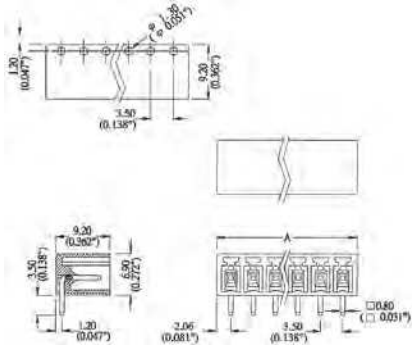
ITEM No.	POLES	A (MM)	A (INCH)	ITEM No.	POLES	A (MM)	A (INCH)
P-420-38102	2	8.41	0.331	P-420-38109	9	35.08	1.381
P-420-38103	3	12.22	0.481	P-420-38110	10	38.89	1.531
P-420-38104	4	16.03	0.631	P-420-38111	11	42.70	1.681
P-420-38105	5	19.84	0.781	P-420-38112	12	46.51	1.831
P-420-38106	6	23.65	0.931				
P-420-38107	7	27.46	1.081	P-420-38116	16	61.75	2.431
P-420-38108	8	31.27	1.231				



## PRINTED CIRCUIT BOARD

### HEADERS

HEADERS • CLOSED 90° • PITCH: 3.50 MM

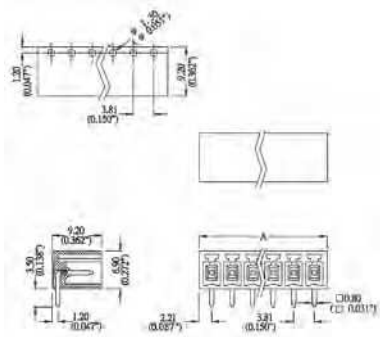


#### TECHNICAL

SOLDER PIN:	0.8 MM, BRASS, TIN PLATED
INSULATING BODY:	POLYAMIDE66 (UL94V-0)
COLOR:	GREEN
OPERATION TEMPERATURE:	-55°C TO +105°C
SHORT-TIME TEMPERATURE:	UP TO 250°C (+482°F)
CURRENT RATING:	12 AMP AC300V
INSULATION WITHSTANDING VOLT:	AC2000V MIN
INSULATION RESISTANCE:	>5000Ω AT DC500V
PDB HOLE DIAMETER:	φ 1.3 MM

ITEM No.	POLES	A (MM)	A (INCH)	ITEM No.	POLES	A (MM)	A (INCH)
<b>H-030-35002</b>	2	7.60	0.299	<b>H-030-35009</b>	9	32.10	1.264
<b>H-030-35003</b>	3	11.10	0.437	<b>H-030-35010</b>	10	35.60	1.402
<b>H-030-35004</b>	4	14.60	0.575	<b>H-030-35011</b>	11	39.10	1.539
<b>H-030-35005</b>	5	18.10	0.713	<b>H-030-35012</b>	12	42.60	1.677
<b>H-030-35006</b>	6	21.60	0.850	<b>H-030-35013</b>	13	46.10	1.815
<b>H-030-35007</b>	7	25.10	0.988	<b>H-030-35014</b>	14	49.60	1.953
<b>H-030-35008</b>	8	28.60	1.126				

HEADERS • CLOSED 90° • PITCH: 3.81 MM



#### TECHNICAL

SOLDER PIN:	0.8 MM, BRASS, TIN PLATED
INSULATING BODY:	POLYAMIDE66 (UL94V-0)
COLOR:	GREEN
OPERATION TEMPERATURE:	-55°C TO +105°C
SHORT-TIME TEMPERATURE:	UP TO 250°C (+482°F)
CURRENT RATING:	12 AMP AC300V
INSULATION WITHSTANDING VOLT:	AC2000V MIN
INSULATION RESISTANCE:	>5000Ω AT DC500V
PDB HOLE DIAMETER:	φ 1.3 MM

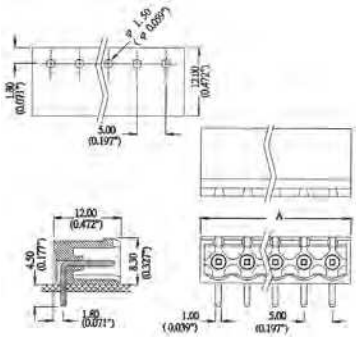
ITEM No.	POLES	A (MM)	A (INCH)	ITEM No.	POLES	A (MM)	A (INCH)
<b>H-030-38102</b>	2	8.23	0.324	<b>H-030-38109</b>	9	34.90	1.374
<b>H-030-38103</b>	3	12.04	0.474	<b>H-030-38110</b>	10	38.71	1.524
<b>H-030-38104</b>	4	15.85	0.624	<b>H-030-38111</b>	11	42.52	1.674
<b>H-030-38105</b>	5	19.66	0.774	<b>H-030-38112</b>	12	46.33	1.824
<b>H-030-38106</b>	6	23.47	0.924				
<b>H-030-38107</b>	7	27.28	1.074	<b>H-030-38116</b>	16	61.57	2.424
<b>H-030-38108</b>	8	31.09	1.224				



# PRINTED CIRCUIT BOARD

## HEADERS

HEADERS • CLOSED 90° • PITCH: 5.00 MM

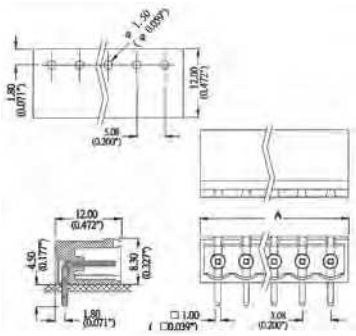


### TECHNICAL

SOLDER PIN: 1.0 MM, BRASS, TIN PLATED  
 INSULATING BODY: POLYAMIDE66 (UL94V-0)  
 COLOR: GREEN  
 OPERATION TEMPERATURE: -55°C TO +105°C  
 SHORT-TIME TEMPERATURE: UP TO 250°C (+482°F)  
 CURRENT RATING: 12 AMP AC300V  
 INSULATION WITHSTANDING VOLT: AC2000V MIN  
 INSULATION RESISTANCE: >5000Ω AT DC500V  
 PDB HOLE DIAMETER: φ 1.5 MM

ITEM No.	POLES	A (MM)	A (INCH)	ITEM No.	POLES	A (MM)	A (INCH)
H-030-50002	2	11.60	0.457	H-030-50009	9	46.60	1.835
H-030-50003	3	16.60	0.654	H-030-50010	10	51.60	2.031
H-030-50004	4	21.60	0.850	H-030-50011	11	56.60	2.228
H-030-50005	5	26.60	1.047	H-030-50012	12	61.60	2.425
H-030-50006	6	31.60	1.244				
H-030-50007	7	36.60	1.441	H-030-50016	16	121.60	4.787
H-030-50008	8	41.60	1.638				

HEADERS • CLOSED 90° • PITCH: 5.08 MM



### TECHNICAL

SOLDER PIN: 1.0 MM, BRASS, TIN PLATED  
 INSULATING BODY: POLYAMIDE66 (UL94V-0)  
 COLOR: GREEN  
 OPERATION TEMPERATURE: -55°C TO +105°C  
 SHORT-TIME TEMPERATURE: UP TO 250°C (+482°F)  
 CURRENT RATING: 12 AMP AC300V  
 INSULATION WITHSTANDING VOLT: AC2000V MIN  
 INSULATION RESISTANCE: >5000Ω AT DC500V  
 PDB HOLE DIAMETER: φ 1.5 MM

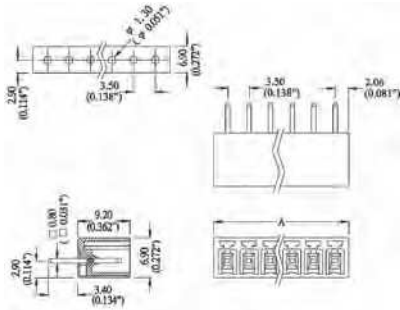
ITEM No.	POLES	A (MM)	A (INCH)	ITEM No.	POLES	A (MM)	A (INCH)
H-030-50802	2	11.76	0.463	H-030-50809	9	47.32	1.863
H-030-50803	3	16.84	0.663	H-030-50810	10	52.40	2.063
H-030-50804	4	21.92	0.863	H-030-50811	11	57.48	2.263
H-030-50805	5	27.00	1.063	H-030-50812	12	62.56	2.463
H-030-50806	6	32.08	1.263				
H-030-50807	7	37.16	1.463	H-030-50816	16	123.52	4.863
H-030-50808	8	42.24	1.663				



## PRINTED CIRCUIT BOARD

### HEADERS

#### HEADERS • CLOSED 180° • PITCH: 3.50 MM



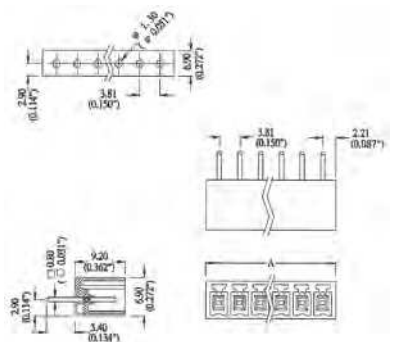
#### TECHNICAL

SOLDER PIN:	0.8 MM, BRASS, TIN PLATED
INSULATING BODY:	POLYAMIDE66 (UL94V-O)
COLOR:	GREEN
OPERATION TEMPERATURE:	-55°C TO +105°C
SHORT-TIME TEMPERATURE:	UP TO 250°C (+482°F)
CURRENT RATING:	12 AMP AC300V
INSULATION WITHSTANDING VOLT:	AC2000V MIN
INSULATION RESISTANCE:	>5000Ω AT DC500V
PDB HOLE DIAMETER:	φ 1.3 MM

ITEM No.	POLES	A (MM)	A (INCH)	ITEM No.	POLES	A (MM)	A (INCH)
<b>H-040-35002</b>	2	7.60	0.299	<b>H-040-35009</b>	9	32.10	1.264
<b>H-040-35003</b>	3	11.10	0.437	<b>H-040-35010</b>	10	35.60	1.402
<b>H-040-35004</b>	4	14.60	0.575	<b>H-040-35011</b>	11	39.10	1.539
<b>H-040-35005</b>	5	18.10	0.713	<b>H-040-35012</b>	12	42.60	1.677
<b>H-040-35006</b>	6	21.60	0.850	<b>H-040-35013</b>	13	46.10	1.815
<b>H-040-35007</b>	7	25.10	0.988	<b>H-040-35014</b>	14	49.60	1.953
<b>H-040-35008</b>	8	28.60	1.126				



#### HEADERS • CLOSED 180° • PITCH: 3.81 MM



#### TECHNICAL

SOLDER PIN:	0.8 MM, BRASS, TIN PLATED
INSULATING BODY:	POLYAMIDE66 (UL94V-O)
COLOR:	GREEN
OPERATION TEMPERATURE:	-55°C TO +105°C
SHORT-TIME TEMPERATURE:	UP TO 250°C (+482°F)
CURRENT RATING:	12 AMP AC300V
INSULATION WITHSTANDING VOLT:	AC2000V MIN
INSULATION RESISTANCE:	>5000Ω AT DC500V
PDB HOLE DIAMETER:	φ 1.3 MM

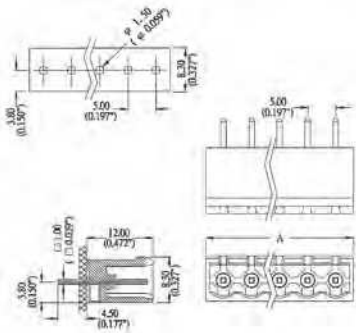
ITEM No.	POLES	A (MM)	A (INCH)	ITEM No.	POLES	A (MM)	A (INCH)
<b>H-040-38102</b>	2	8.23	0.324	<b>H-040-38109</b>	9	34.90	1.374
<b>H-040-38103</b>	3	12.04	0.474	<b>H-040-38110</b>	10	38.71	1.524
<b>H-040-38104</b>	4	15.85	0.624	<b>H-040-38111</b>	11	42.52	1.674
<b>H-040-38105</b>	5	19.66	0.774	<b>H-040-38112</b>	12	46.33	1.824
<b>H-040-38106</b>	6	23.47	0.924				
<b>H-040-38107</b>	7	27.28	1.074	<b>H-040-38116</b>	16	61.57	2.424
<b>H-040-38108</b>	8	31.09	1.224				



# PRINTED CIRCUIT BOARD

## HEADERS

### HEADERS • CLOSED 180° • PITCH: 5.00 MM

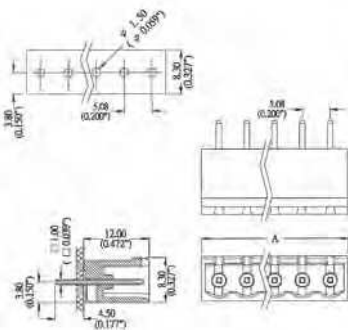


#### TECHNICAL

SOLDER PIN:	1.0 MM, BRASS, TIN PLATED
INSULATING BODY:	POLYAMIDE66 (UL94V-O)
COLOR:	GREEN
OPERATION TEMPERATURE:	-55°C TO +105°C
SHORT-TIME TEMPERATURE:	UP TO 250°C (+482°F)
CURRENT RATING:	12 AMP AC300V
INSULATION WITHSTANDING VOLT:	AC2000V MIN
INSULATION RESISTANCE:	>5000Ω AT DC500V
PDB HOLE DIAMETER:	φ 1.5 MM

ITEM NO.	POLES	A (MM)	A (INCH)	ITEM NO.	POLES	A (MM)	A (INCH)
H-040-50002	2	11.60	0.457	H-040-50009	9	46.60	1.835
H-040-50003	3	16.60	0.654	H-040-50010	10	51.60	2.031
H-040-50004	4	21.60	0.850	H-040-50011	11	56.60	2.228
H-040-50005	5	26.60	1.047	H-040-50012	12	61.60	2.425
H-040-50006	6	31.60	1.244				
H-040-50007	7	36.60	1.441	H-040-50016	16	121.60	4.787
H-040-50008	8	41.60	1.638				

### HEADERS • CLOSED 180° • PITCH: 5.08 MM



#### TECHNICAL

SOLDER PIN:	1.0 MM, BRASS, TIN PLATED
INSULATING BODY:	POLYAMIDE66 (UL94V-O)
COLOR:	GREEN
OPERATION TEMPERATURE:	-55°C TO +105°C
SHORT-TIME TEMPERATURE:	UP TO 250°C (+482°F)
CURRENT RATING:	12 AMP AC300V
INSULATION WITHSTANDING VOLT:	AC2000V MIN
INSULATION RESISTANCE:	>5000Ω AT DC500V
PDB HOLE DIAMETER:	φ 1.5 MM

ITEM NO.	POLES	A (MM)	A (INCH)	ITEM NO.	POLES	A (MM)	A (INCH)
H-040-50802	2	11.76	0.463	H-040-50809	9	47.32	1.863
H-040-50803	3	16.84	0.663	H-040-50810	10	52.40	2.063
H-040-50804	4	21.92	0.863	H-040-50811	11	57.48	2.263
H-040-50805	5	27.00	1.063	H-040-50812	12	62.56	2.463
H-040-50806	6	32.08	1.263				
H-040-50807	7	37.16	1.463	H-040-50816	16	123.52	4.863
H-040-50808	8	42.24	1.663				





## SCREWDRIVERS

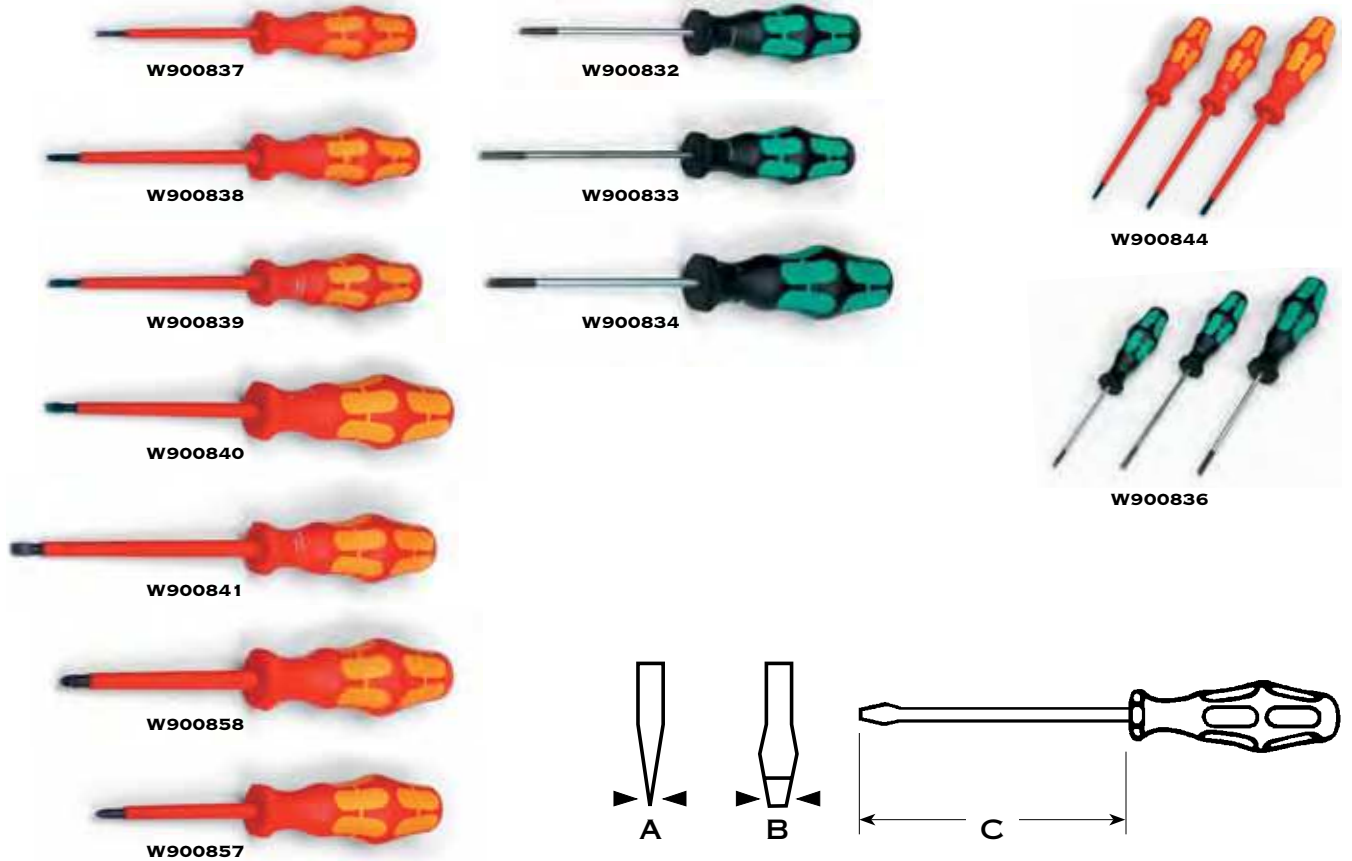
THE ERGONOMIC DESIGN OF OUR SCREWDRIVER HANDLES EFFICIENTLY HELP TO PROVIDE THE PROPER TIGHTENING TORQUE FOR YOUR TERMINAL BLOCK APPLICATION. INSULATION IS RATED AT 10,000V FOR YOUR SAFETY. THE TIPS OF OUR SCREWDRIVERS ARE MADE OF HARDENED STEEL FOR A LONGER TOOL LIFE.



# SCREWDRIVERS FOR TERMINAL BLOCKS

## FEATURES

- ERGONOMIC HANDLE PROVIDES PROPER TIGHTENING TORQUE
- IMPACT RESISTANT MATERIAL USED TO PROVIDE LONG LASTING USE
- INSULATION SLEEVE PROVIDES ISOLATION UP TO 10,000 V
- APPROVALS: DIN - VDE 0680/2, ISO, IEC 900, EN 60900



DESCRIPTION	PART NO.	A (MM)	B (MM)	C (MM)
INSULATED SCREWDRIVERS	W900837	0.4	2.5	80
	W900838	0.5	3.0	100
	W900839	0.6	3.5	100
	W900840	0.8	4.0	100
	W900841	1.0	5.5	125
KIT FOR INSULATED SCREWDRIVERS (3)	W900844 (INCLUDES ONE OF EACH: W900838, W900839, W900840)			
NON-INSULATED SCREWDRIVERS	W900832	0.5	3.0	80
	W900833	0.6	3.5	100
	W900834	0.8	4.0	100
KIT FOR NON-INSULATED SCREWDRIVERS (3)	W900836 (INCLUDES ONE OF EACH: W900832, W900833, W900834)			
INSULATED PHILLIPS SCREWDRIVER	W900858 (100 MM)			
NON-INSULATED PHILLIPS SCREWDRIVER	W900857 (80 MM)			