



Chipsmall Limited consists of a professional team with an average of over 10 year of expertise in the distribution of electronic components. Based in Hongkong, we have already established firm and mutual-benefit business relationships with customers from,Europe,America and south Asia,supplying obsolete and hard-to-find components to meet their specific needs.

With the principle of "Quality Parts,Customers Priority,Honest Operation,and Considerate Service",our business mainly focus on the distribution of electronic components. Line cards we deal with include Microchip,ALPS,ROHM,Xilinx,Pulse,ON,Everlight and Freescale. Main products comprise IC,Modules,Potentiometer,IC Socket,Relay,Connector.Our parts cover such applications as commercial,industrial, and automotives areas.

We are looking forward to setting up business relationship with you and hope to provide you with the best service and solution. Let us make a better world for our industry!



Contact us

Tel: +86-755-8981 8866 Fax: +86-755-8427 6832

Email & Skype: info@chipsmall.com Web: www.chipsmall.com

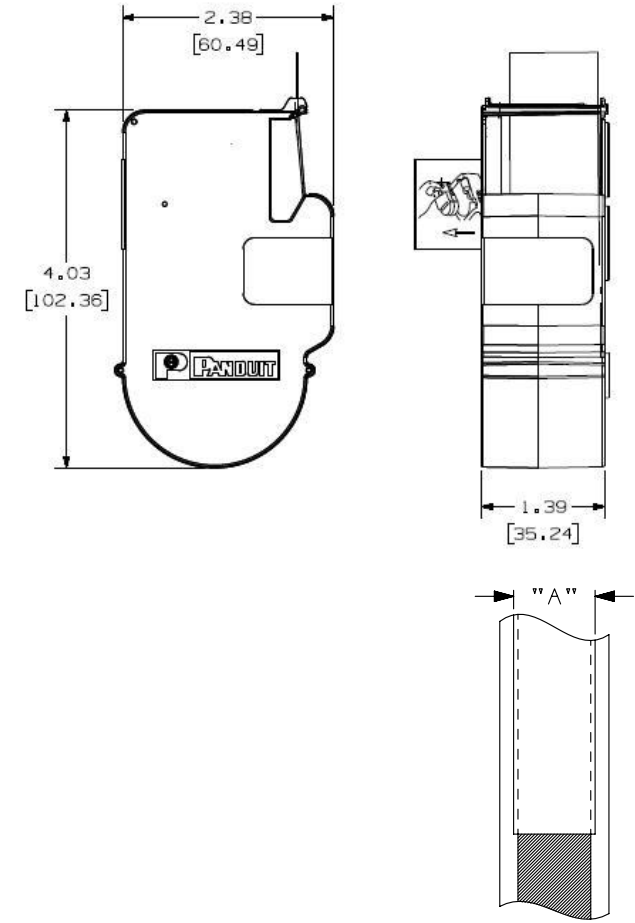
Address: A1208, Overseas Decoration Building, #122 Zhenhua RD., Futian, Shenzhen, China



THIS COPY IS PROVIDED ON A RESTRICTED BASIS AND IS NOT TO BE USED IN ANY WAY DETRIMENTAL TO THE INTERESTS OF PANDUIT CORP.



PART NO.	PANDUIT TUBING P/N	COLOR	Part Description	TUBING +/- 0.050 WIDTH "A"	ROLL LENGTH
H000X025H1C	GMUHS31	WHITE	1/8" dia. H.S. Polyolefin 22-16 AWG	.25 [6.35] REF.	96.0"
H000X034H1C	GMUHS31	WHITE	3/16" dia. H.S. Polyolefin 18-12 AWG	.34 [8.64] REF.	96.0"
H000X044H1C	GMUHS31	WHITE	1/4" dia. H.S. Polyolefin 16-10 AWG	.44 [11.18] REF.	72.0"
H000X064H1C	GMUHS31	WHITE	3/8" dia. H.S. Polyolefin 12-6 AWG	.64 [16.26] REF.	72.0"
H000X084H1C	GMUHS31	WHITE	1/2" dia. H.S. Polyolefin 8-1 AWG	.84 [21.34] REF.	72.0"
H000X025H2C	GMUHS31	YELLOW	1/8" dia. H.S. Polyolefin 22-16 AWG	.25 [6.35] REF.	96.0"
H000X034H2C	GMUHS31	YELLOW	3/16" dia. H.S. Polyolefin 18-12 AWG	.34 [8.64] REF.	96.0"
H000X044H2C	GMUHS31	YELLOW	1/4" dia. H.S. Polyolefin 16-10 AWG	.44 [11.18] REF.	72.0"
H000X064H2C	GMUHS31	YELLOW	3/8" dia. H.S. Polyolefin 12-6 AWG	.64 [16.26] REF.	72.0"
H000X084H2C	GMUHS31	YELLOW	1/2" dia. H.S. Polyolefin 8-1 AWG	.84 [21.34] REF.	72.0"



NOTES:
1. DIMENSIONS IN [] ARE IN MILLIMETERS.

REV	DATE	BY	CHK	APR	DESCRIPTION	ECN
2	3/21/14	RVU	SEWH	MSAD	REMOVE PN: H000X025F1C, H000X034F1C, H000X044F1C, H000X084F1C. UPDATE FORMAT.	GAECN01759
1	5/21/10	RVU			ADD H000X064H1C AND H000X064H2C.	5992
0	4/21/08	RVU			DRAWING RELEASE.	5403

TITLE P1 LABEL CASSETTE CONTINUOUS HEAT SHRINK CUSTOMER DRAWING				
ITEM REVISION NAME 100743BN/10		PANDUIT		
DATASET FILE NAME 100743BN_DC_C10692/10C				
UNLESS OTHERWISE SPECIFIED, DIMENSIONAL TOLERANCES ARE: IN (mm) .x ± .1 [2.54] .xxx ± .005 [0.127] .xx ± .01 [0.25] ANGLES ± 5°			MATERIAL: SEE TABLE	
DRAWING NUMBER: C10692			DRAWING NUMBER: C10692	
DRAWN BY RVU	DATE 4/22/08	CHK MSAD	SCALE RVU	SHT 1 OF 1
				SIZE A