



Chipsmall Limited consists of a professional team with an average of over 10 year of expertise in the distribution of electronic components. Based in Hongkong, we have already established firm and mutual-benefit business relationships with customers from,Europe,America and south Asia,supplying obsolete and hard-to-find components to meet their specific needs.

With the principle of "Quality Parts,Customers Priority,Honest Operation,and Considerate Service",our business mainly focus on the distribution of electronic components. Line cards we deal with include Microchip,ALPS,ROHM,Xilinx,Pulse,ON,Everlight and Freescale. Main products comprise IC,Modules,Potentiometer,IC Socket,Relay,Connector.Our parts cover such applications as commercial,industrial, and automotives areas.

We are looking forward to setting up business relationship with you and hope to provide you with the best service and solution. Let us make a better world for our industry!



## Contact us

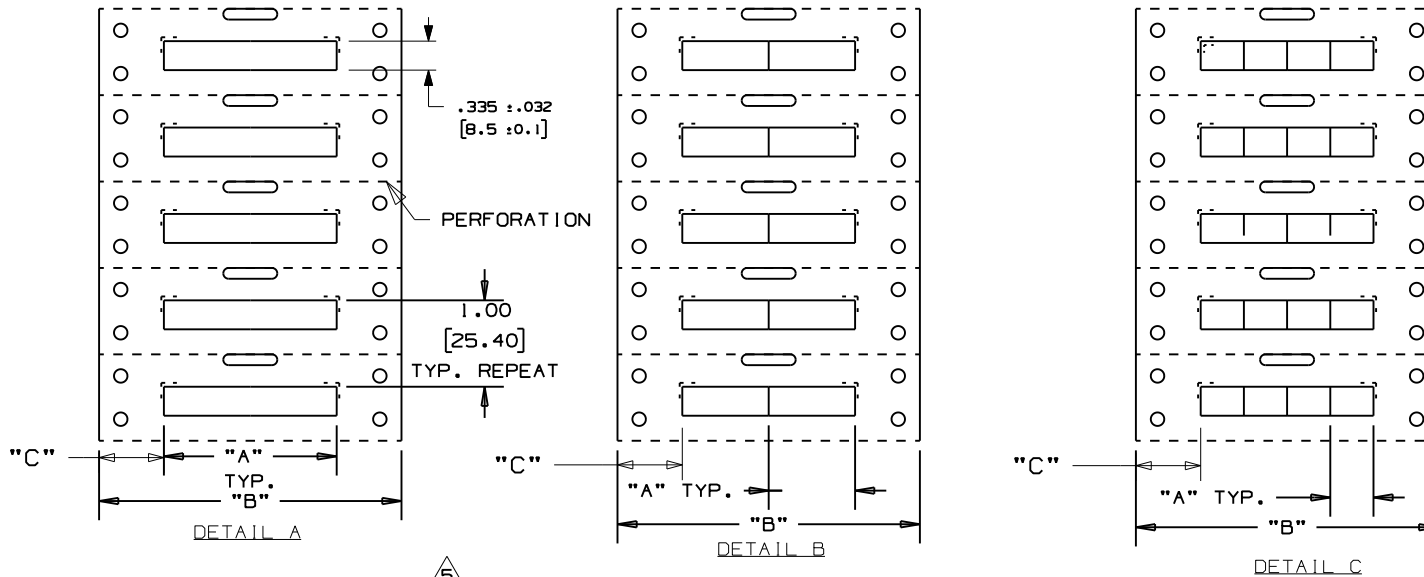
Tel: +86-755-8981 8866 Fax: +86-755-8427 6832

Email & Skype: info@chipsmall.com Web: www.chipsmall.com

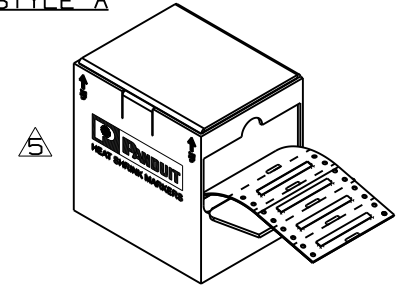
Address: A1208, Overseas Decoration Building, #122 Zhenhua RD., Futian, Shenzhen, China



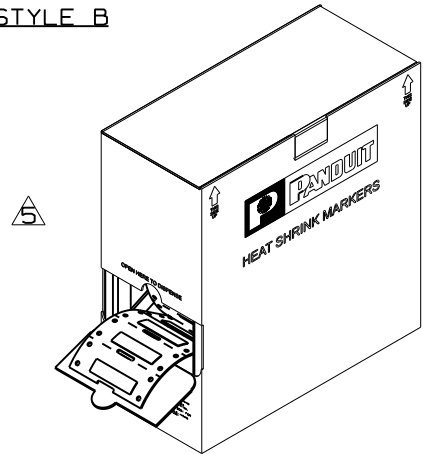
THIS COPY IS PROVIDED ON A RESTRICTED BASIS AND IS NOT TO BE USED IN ANY WAY DETRIMENTAL TO THE INTERESTS OF PANDUIT CORP.



STYLE A



STYLE B



PART NUMBER	SEE DETAIL	"A" +/- .062	"B"	"C"	MARKER ACROSS	TUBING COLOR	SEE STYLE
H200X034F1T	A	2.00 [50.80]	3.50 [88.90]	.75 [19.1]	1	WHITE	A
H100X034F1T	B	1.00 [25.40]		.75 [19.1]	2	WHITE	
H050X034F1T	C	0.50 [12.70]		.75 [19.1]	4	WHITE	
H150X034F1T	A	1.50 [38.10]		1.00 [25.4]	1	WHITE	
H075X034F1T	B	0.75 [19.05]		1.00 [25.4]	2	WHITE	A
H200X034F2T	A	2.00 [50.80]		.75 [19.1]	1	YELLOW	
H100X034F2T	B	1.00 [25.40]		.75 [19.1]	2	YELLOW	
H050X034F2T	C	0.50 [12.70]		.75 [19.1]	4	YELLOW	
H200X034F1T-B	A	2.00 [50.80]		.75 [19.1]	1	WHITE	B
H100X034F1T-B	B	1.00 [25.40]		.75 [19.1]	2	WHITE	
H050X034F1T-B	C	0.50 [12.70]		.75 [19.1]	4	WHITE	
H150X034F1T-B	A	1.50 [38.10]		1.00 [25.4]	1	WHITE	
H075X034F1T-B	B	0.75 [19.05]		1.00 [25.4]	2	WHITE	

NOTE: 1. DIMENSION IN ( ) ARE IN MILLIMETERS.

CAD FILENAME/LAYERS

100923NV\_DC\_C10220/01F

5	5/21/09	RVU		+/- .12, +/- .062, +/- .020 WAS +/- .03, +/- .032, +/- .010. HT: .335 +/- .032 WAS .335. MAT'L. HSK TUBING GMHS31, 3.5 WIDE LINER WAS GMHS. ADD "A" +/- .062. ADD STYLE B VIEW FOR BULK BOX. VIEW UPDATE.	5593	R		
4				VOID				
3	12/21/07	RVU		REVISED TUBING MATERIAL. ADDED H150X034F1T-B AND H075X034F1T-B.	5244	R		
2	12/4/07	RVU		(.XX) +/- .032 WAS (.XX) +/- .015.	5219	R		
1	1-31-07	RVU		REVISED VIEW OF BOX, & TOL. ADDE NOTES 1 & 2.	4859	R		
0	2-24-04	RVU		DRAWING RELEASE	0000	R		
REV	DATE	BY	CHK	DESCRIPTION	ECN	R	CUST	SUP

PANDUIT CORP. TINLEY PARK, ILLINOIS

CUSTOMER DRAWING H\*\*\*X034F\*\* OPTIMUM COMPUTER PRINTABLE HEAT SHRINK MARKERS

UNLESS OTHERWISE SPECIFIED, DIMENSIONAL TOLERANCES ARE: (.X) ± .12 (.XXX) ± .020 (.XX) ± .062 ANGLES ±

UNLESS OTHERWISE SPECIFIED, ALL DIMENSIONS ARE GIVEN IN INCHES, THIRD ANGLE PROJECTION.

SCALE: NTS

DRAWING NO. C10220

DWG SIZE: A

DRAWN BY: RVU

DATE: 9-29-04

CHK'D:

MAT'L: HEATSHRINK TUBING GMHS31, 3.5 WIDE LINER