



Chipsmall Limited consists of a professional team with an average of over 10 year of expertise in the distribution of electronic components. Based in Hongkong, we have already established firm and mutual-benefit business relationships with customers from,Europe,America and south Asia,supplying obsolete and hard-to-find components to meet their specific needs.

With the principle of “Quality Parts,Customers Priority,Honest Operation,and Considerate Service”,our business mainly focus on the distribution of electronic components. Line cards we deal with include Microchip,ALPS,ROHM,Xilinx,Pulse,ON,Everlight and Freescale. Main products comprise IC,Modules,Potentiometer,IC Socket,Relay,Connector.Our parts cover such applications as commercial,industrial, and automotives areas.

We are looking forward to setting up business relationship with you and hope to provide you with the best service and solution. Let us make a better world for our industry!



Contact us

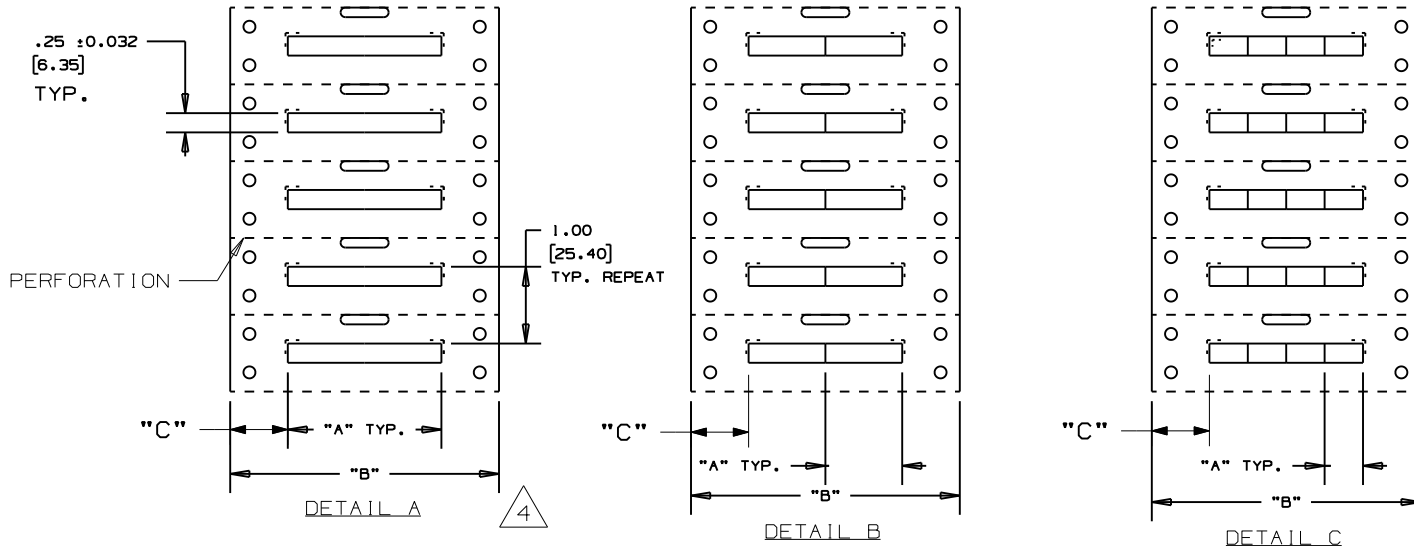
Tel: +86-755-8981 8866 Fax: +86-755-8427 6832

Email & Skype: info@chipsmall.com Web: www.chipsmall.com

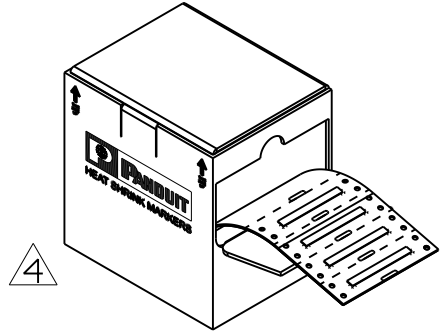
Address: A1208, Overseas Decoration Building, #122 Zhenhua RD., Futian, Shenzhen, China



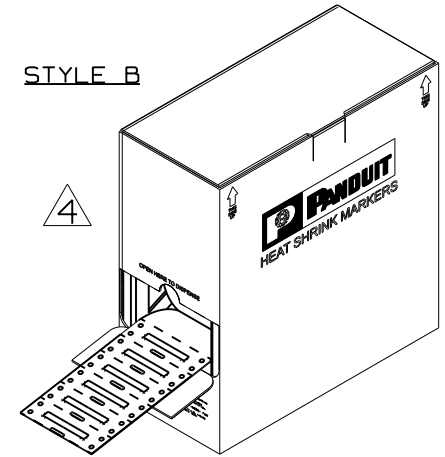
THIS COPY IS PROVIDED ON A RESTRICTED BASIS AND IS NOT TO BE USED IN ANY WAY DETRIMENTAL TO THE INTERESTS OF PANDUIT CORP.



STYLE A



STYLE B



PART NUMBER	SEE DETAIL	"A" ±.062	"B"	"C"	MARKER ACROSS	TUBING COLOR	SEE STYLE
H200X025F1T	A	2.00 [50.80]	3.50 [88.90]	.75 [19.1]	1	WHITE	A
H100X025F1T	B	1.00 [25.40]	3.50 [88.90]	.75 [19.1]	2	WHITE	
H050X025F1T	C	0.50 [12.70]	3.50 [88.90]	.75 [19.1]	4	WHITE	
H150X025F1T	A	1.50 [38.10]	3.50 [88.90]	1.00 [25.4]	1	WHITE	
H075X025F1T	B	0.75 [19.05]	3.50 [88.90]	1.00 [25.4]	2	WHITE	A
H200X025F2T	A	2.00 [50.80]	3.50 [88.90]	.75 [19.1]	1	YELLOW	
H100X025F2T	B	1.00 [25.40]	3.50 [88.90]	.75 [19.1]	2	YELLOW	
H050X025F2T	C	0.50 [12.70]	3.50 [88.90]	.75 [19.1]	4	YELLOW	
H200X025F1T-B	A	2.00 [50.80]	3.50 [88.90]	.75 [19.1]	1	WHITE	B
H100X025F1T-B	B	1.00 [25.40]	3.50 [88.90]	.75 [19.1]	2	WHITE	
H050X025F1T-B	C	0.50 [12.70]	3.50 [88.90]	.75 [19.1]	4	WHITE	
H150X025F1T-B	A	1.50 [38.10]	3.50 [88.90]	1.00 [25.4]	1	WHITE	
H075X025F1T-B	B	0.75 [19.05]	3.50 [88.90]	1.00 [25.4]	2	WHITE	

NOTES:
1. DIMENSION IN [] ARE IN MILLIMETERS.

CAD FILENAME/LAYERS 100923NM_DC_C10216/01E

PANDUIT CORP. TINLEY PARK, ILLINOIS

CUSTOMER DRAWING H***X025F** OPTIMUM
COMPUTER PRINTABLE HEAT SHRINK MARKERS

UNLESS OTHERWISE SPECIFIED,
DIMENSIONAL TOLERANCES ARE:
(.X) ± .12 (.XXX) ± .020
(.XX) ± .062 ANGLES ±

UNLESS OTHERWISE SPECIFIED,
ALL DIMENSIONS ARE GIVEN
IN INCHES, THIRD ANGLE PROJECTION.

VOID

(.XX) ± .032 WAS (.XX) ± .015 GMUHS WAS GMHS

REVISED VIEW OF BOX, TOL. AND NOTE 1 & 2.

DRAWING RELEASE.

DRAWN BY RVU

MAT'L:

DATE 9-29-04

HEATSHRINK
TUBING GMHS31,
3.5 WIDE LINER

SCALE NTS

DRAWING NO.

C10216

DWG
A
SIZE

REV DATE BY CHK

DESCRIPTION

ECN - R CUST SUP GMBH

CHK'D